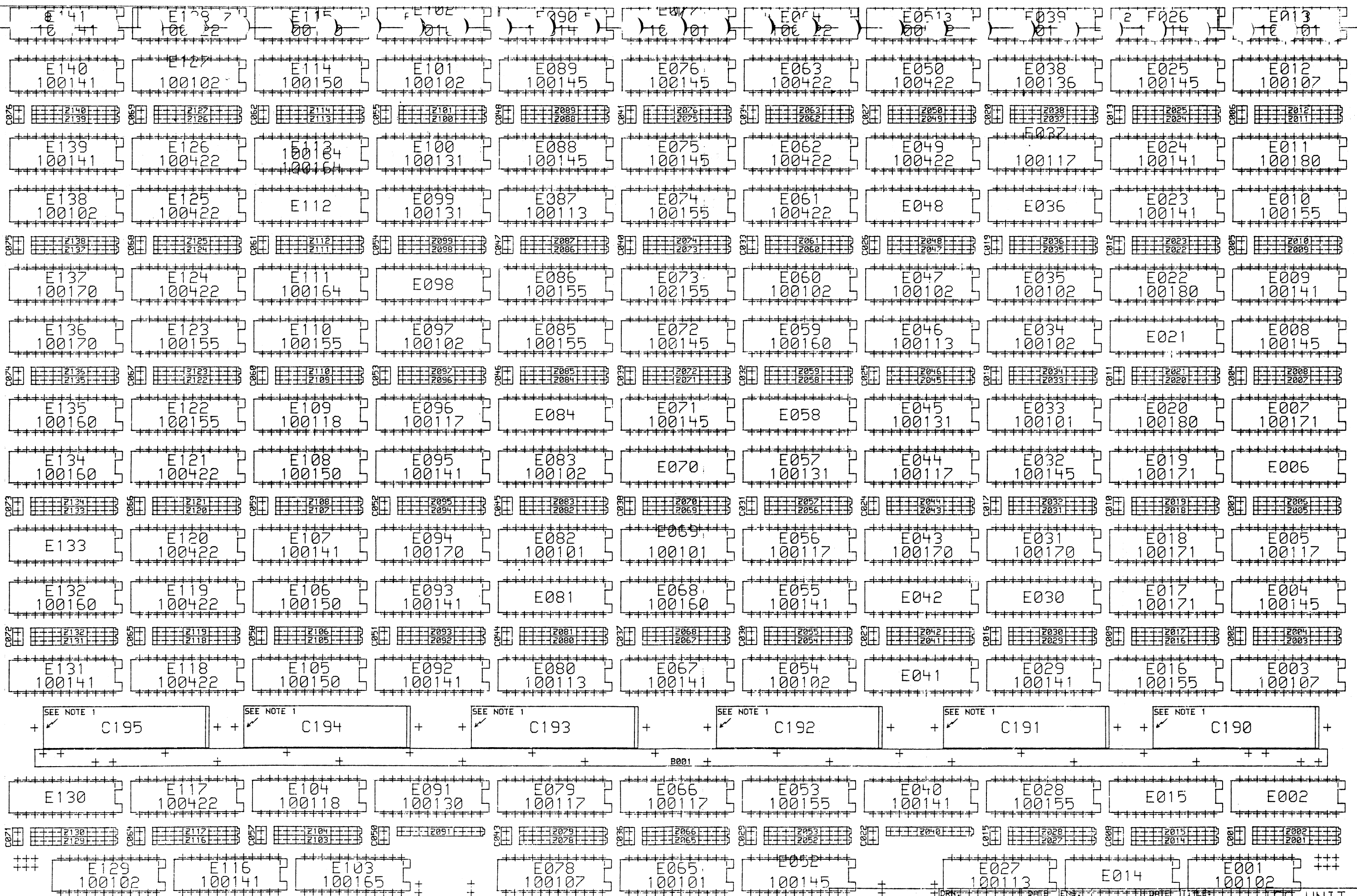


PROTOJ:<2080.L0045>ISQ1
PROTOJ:<2080.L0045>ISQ2
PROTOJ:<2080.L0045>ISQ3
PROTOJ:<2080.L0045>ISQ4
PROTOJ:<2080.L0045>ISQ5
PROTOJ:<2080.L0045>ISQ6
PROTOJ:<2080.L0045>ISQ7
PROTOJ:<2080.L0045>ISQ8
PROTOJ:<2080.L0045>ISQ9
PROTOJ:<2080.L0045>ISQA
PROTOJ:<2080.L0045>ISQB
PROTOJ:<2080.L0045>ISQC
PROTOJ:<2080.L0045>ISQD
PROTOJ:<2080.L0045>ISQE
PROTOJ:<2080.L0045>ISQF
PROTOJ:<2080.L0045>ISQG
PROTOJ:<2080.L0045>ISQH
PROTOJ:<2080.L0045>ISQI
PROTOJ:<2080.L0045>ISQJ
PROTOJ:<2080.L0045>ISQK
PROTOJ:<2080.L0045>ISQL
PROTOJ:<2080.L0045>ISQM

D
C
B
A



TAG TO MBOX

A FOUR BIT 'TAG' FIELD IS SENT TO THE M BOX WITH EACH I BOX REQUEST

THIS 'TAG' SHOULD BE 'IFILL' WHENEVER AN INSTRUCTION IS FETCHED
OR 'TAG BUF DLY' WHEN AN OPERAND IS FETCHED

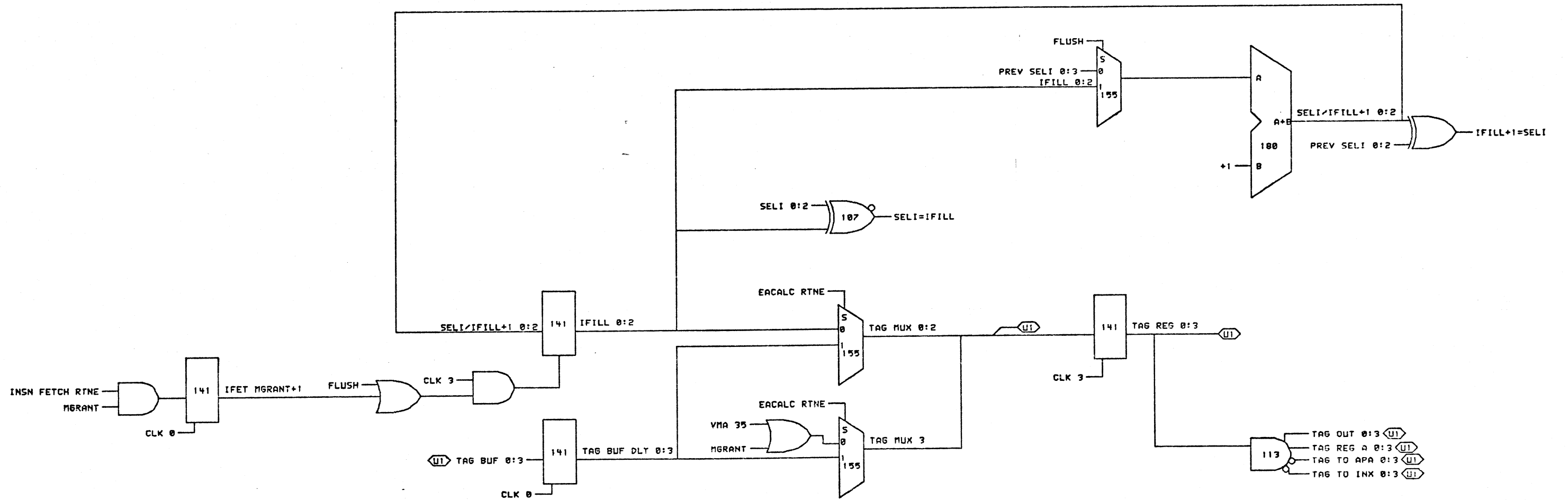
[OPERANDS ARE ONLY FETCHED DURING AN EACALC OR RE-EACALC ROUTINE]
IFILL IS A 3 BIT COUNTER WHICH POINTS AT THE NEXT FREE SLOT IN THE BUFFERS.

IFILL IS INCREMENTED WHENEVER AN INSTRUCTION IS FETCHED

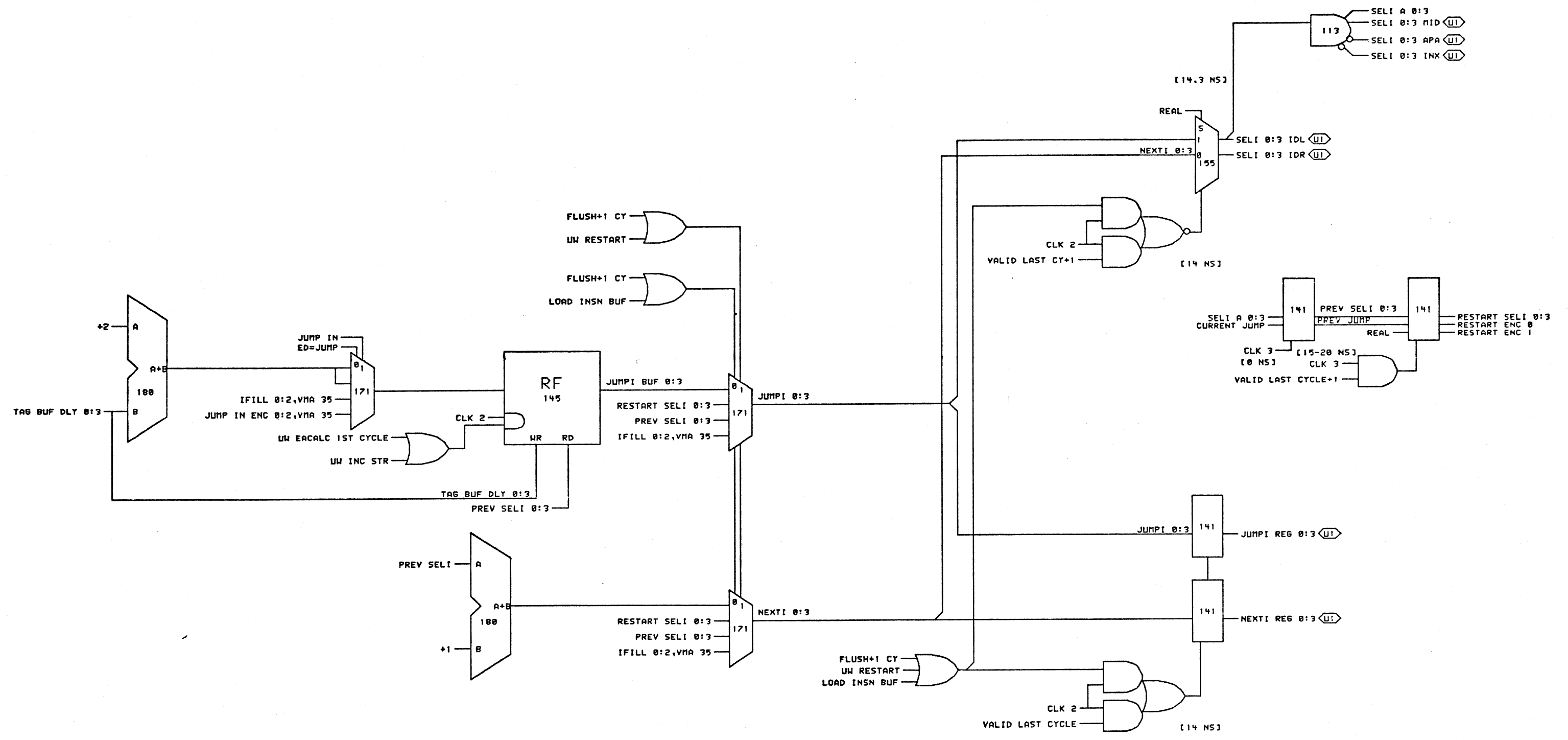
AND LOADED WITH SELI+1 ON A FLUSH TO ENSURE WE DO NOT TRAMPLE OVER THE PREVIOUS INSTRUCTION.

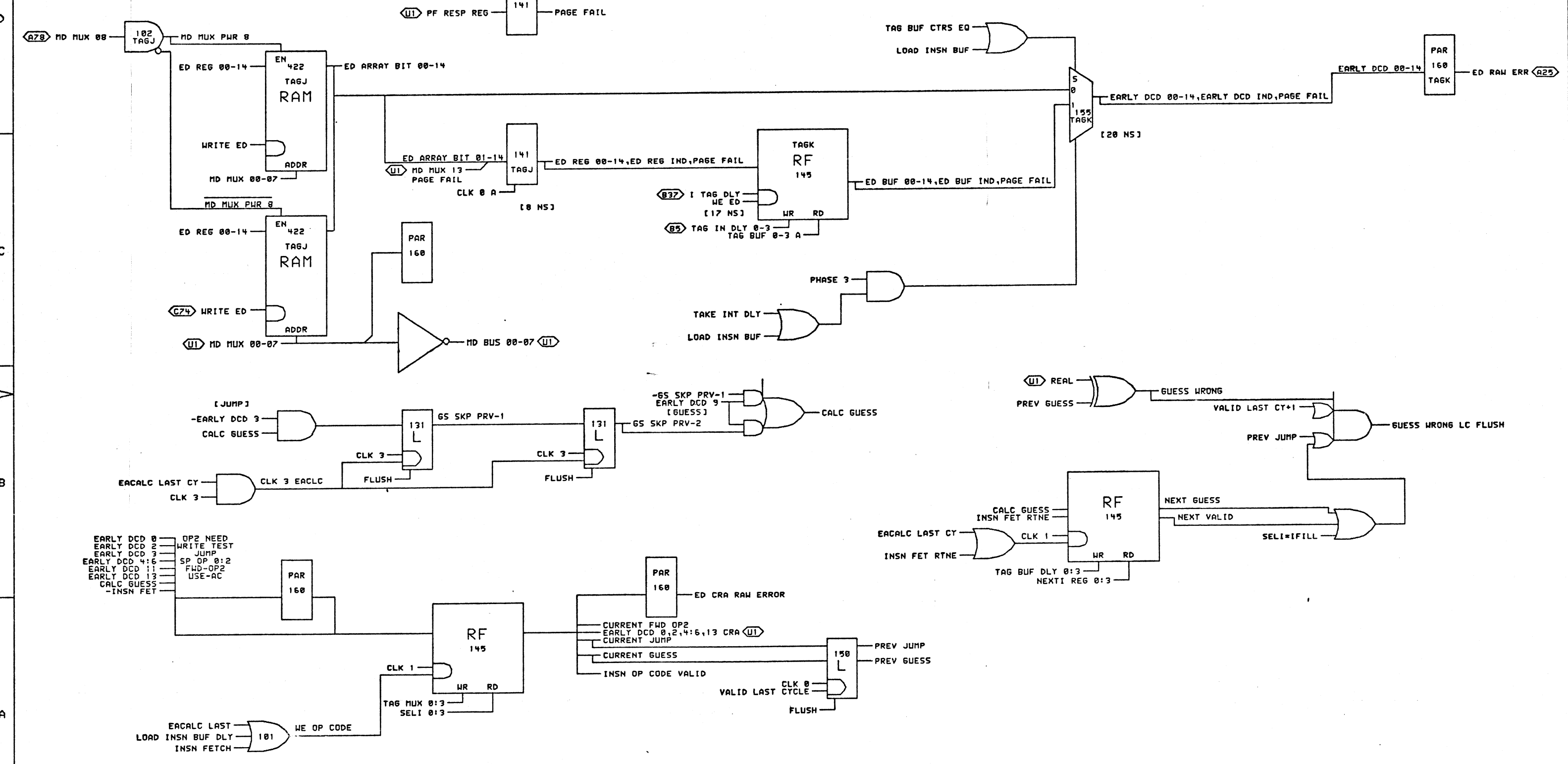
IF IFILL EQUALS SELI THE INSTRUCTION IS CONSIDERED 'INVALID'

IF IFILL+1 EQUALS SELI THEN NO MORE INSTRUCTIONS SHOULD BE PREFETCHED.

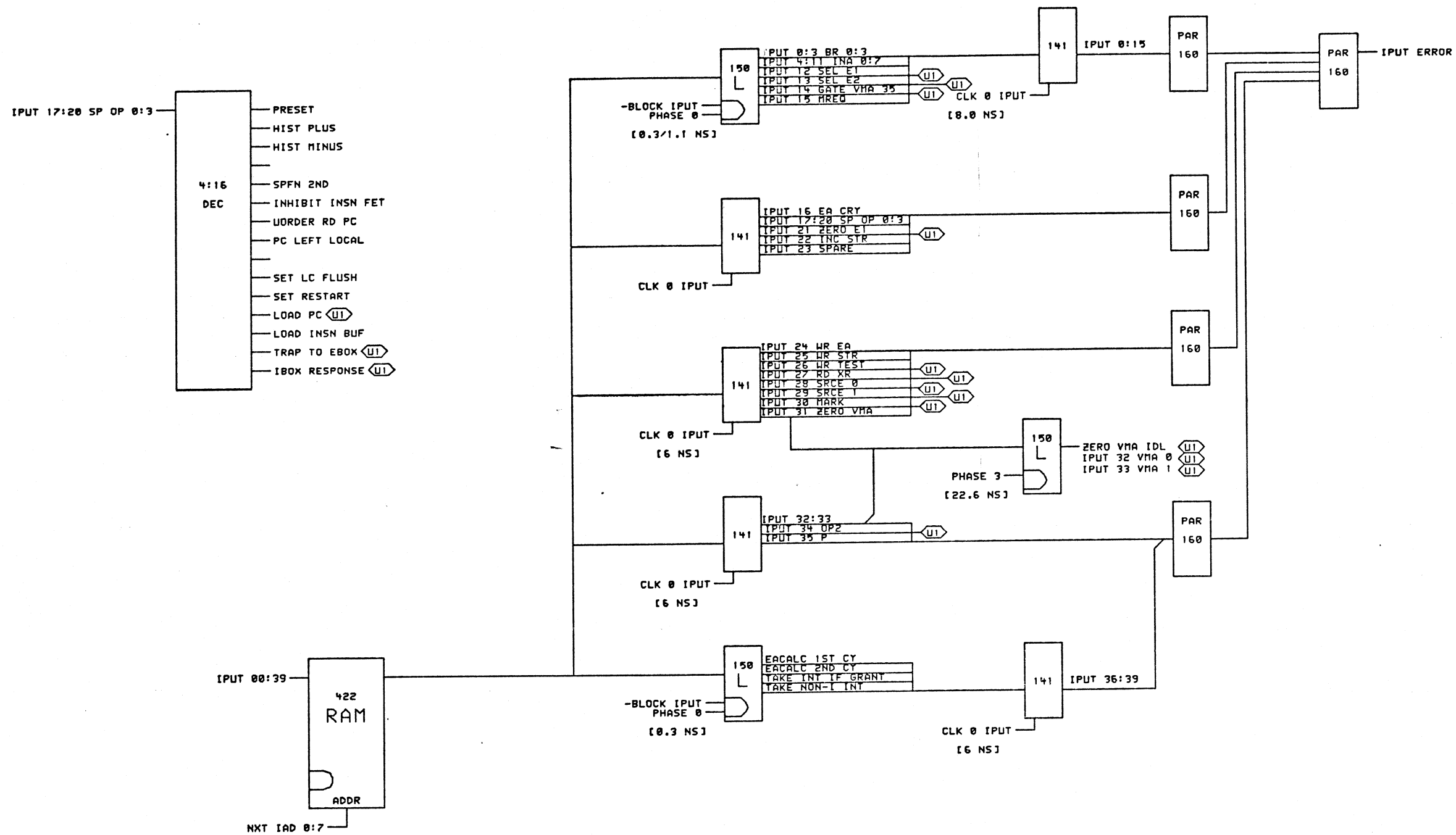


DRN.	DATE	ENG.	DATE	TITLE:	TAG TO MBOX LOGIC		
CHK'D.	DATE	BOARD LOCATION:	SHEET	OF	SIZE	CODE	NUMBER
PROJ: <2000.150>BLOCK3.DRW 21-SEP-82 13:15 NEXT HIGHER ASSEMBLY:				D	CS		1
FIRST USED ON OPTION/MODEL:							





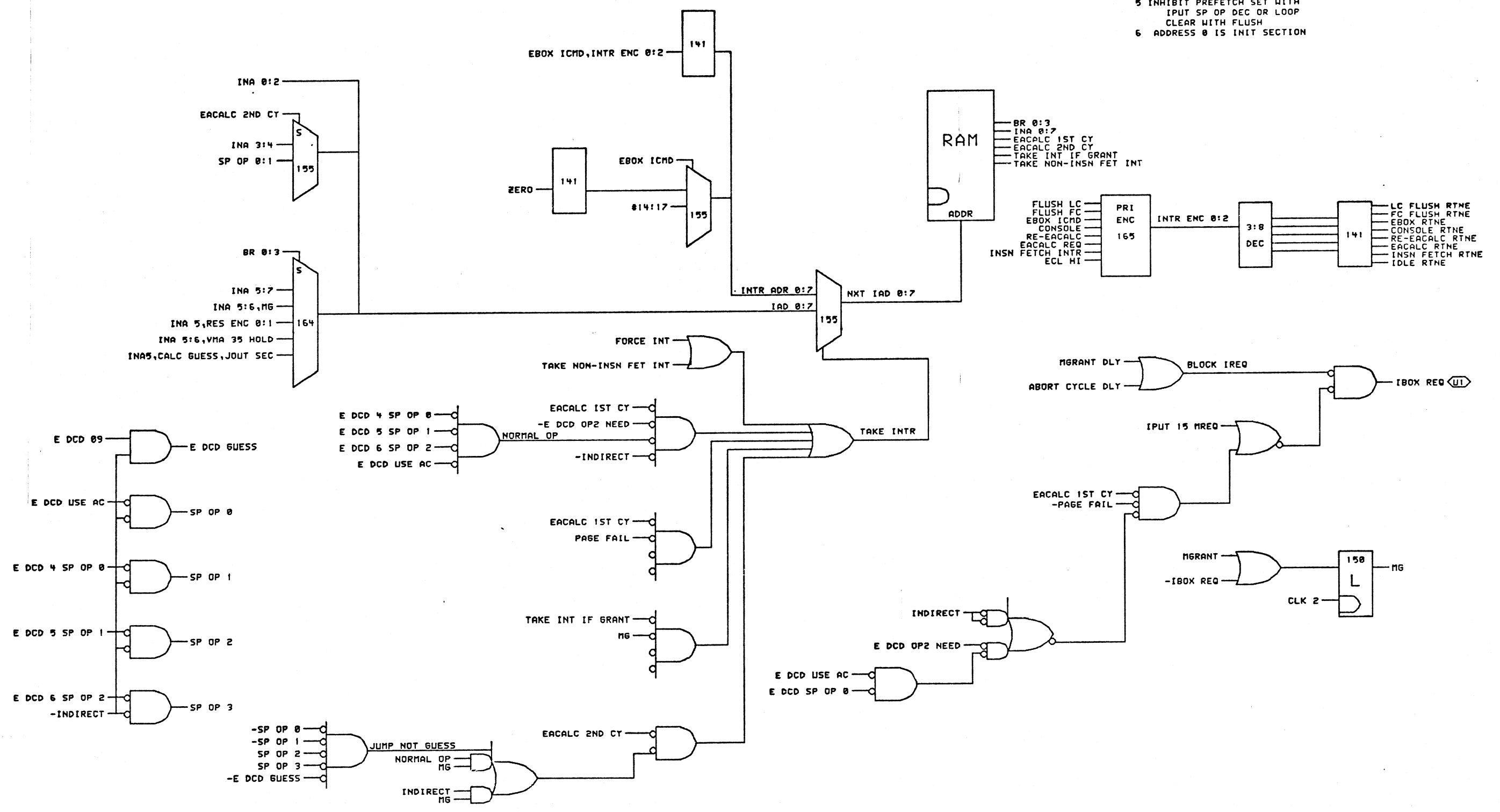
DRN.	DATE	ENG.	DATE	TITLE:
CHK'D.	DATE	BOARD LOCATION:		EARLY DECODE & GUESS
PROJ: <2000.150>BLOCK2.DRW	21-SEP-82 13:47	SHEET	OF	SIZE CODE
FIRST USED ON OPTION/MODEL:		NEXT HIGHER ASSEMBLY:		NUMBER
				REV.



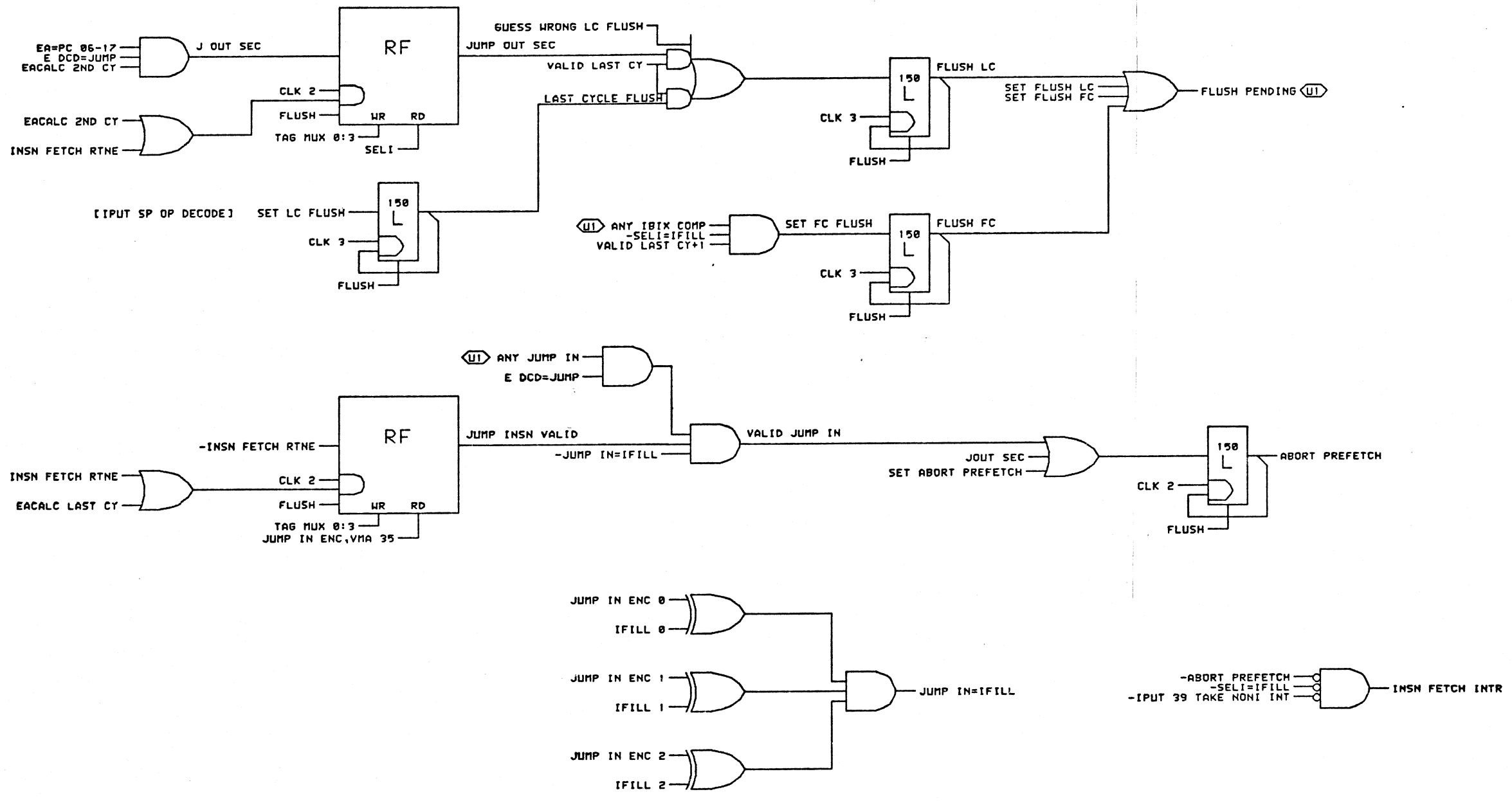
DRN.	DATE	ENG.	DATE	TITLE:	INPUT OUTPUT REGISTERS
CHK'D.	16-SEP-82	BOARD LOCATION:			
PROTJ: <2000.15Q>BLOCK7.DRW 16-SEP-82 09:58				NEXT HIGHER ASSEMBLY:	SIZE
FIRST USED ON OPTION/MODEL:					D CS
				NUMBER	REV.

INPUT ADDRESSING

- 1 IDLE INT ALWAYS SET
- 2 DO NOT ENTER EACALC IF INSN PF OR INSN=AC OR NOT MAIN STREAM INSTRUCTION
- 3 EACALC 1ST CYC=UW BIT
- 4 EACALC 2ND CYC=UW BIT
- 5 INHIBIT PREFETCH SET WITH INPUT SP OP DEC OR LOOP CLEAR WITH FLUSH
- 6 ADDRESS 0 IS INIT SECTION

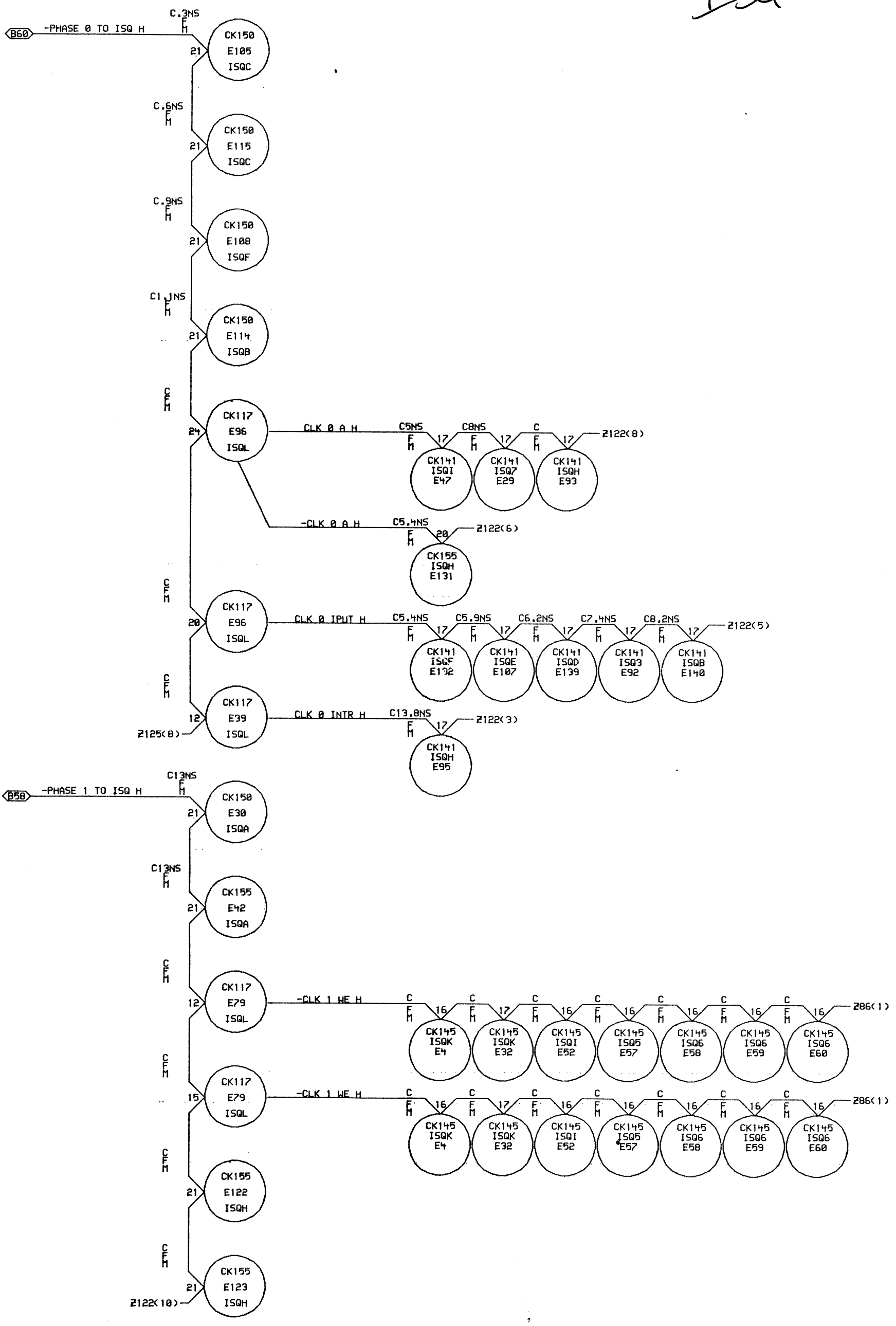


PRN.	DATE	ENG.	DATE	TITLE: INPUT ADDRESSING
CHK'D.	21-SEP-82			
PROJ: <2000.15A>BLOCK5.DRW 21-SEP-82 14:15 EXT HIGHER ASSEMBLY:				SIZE CODE NUMBER REV. D CS 1

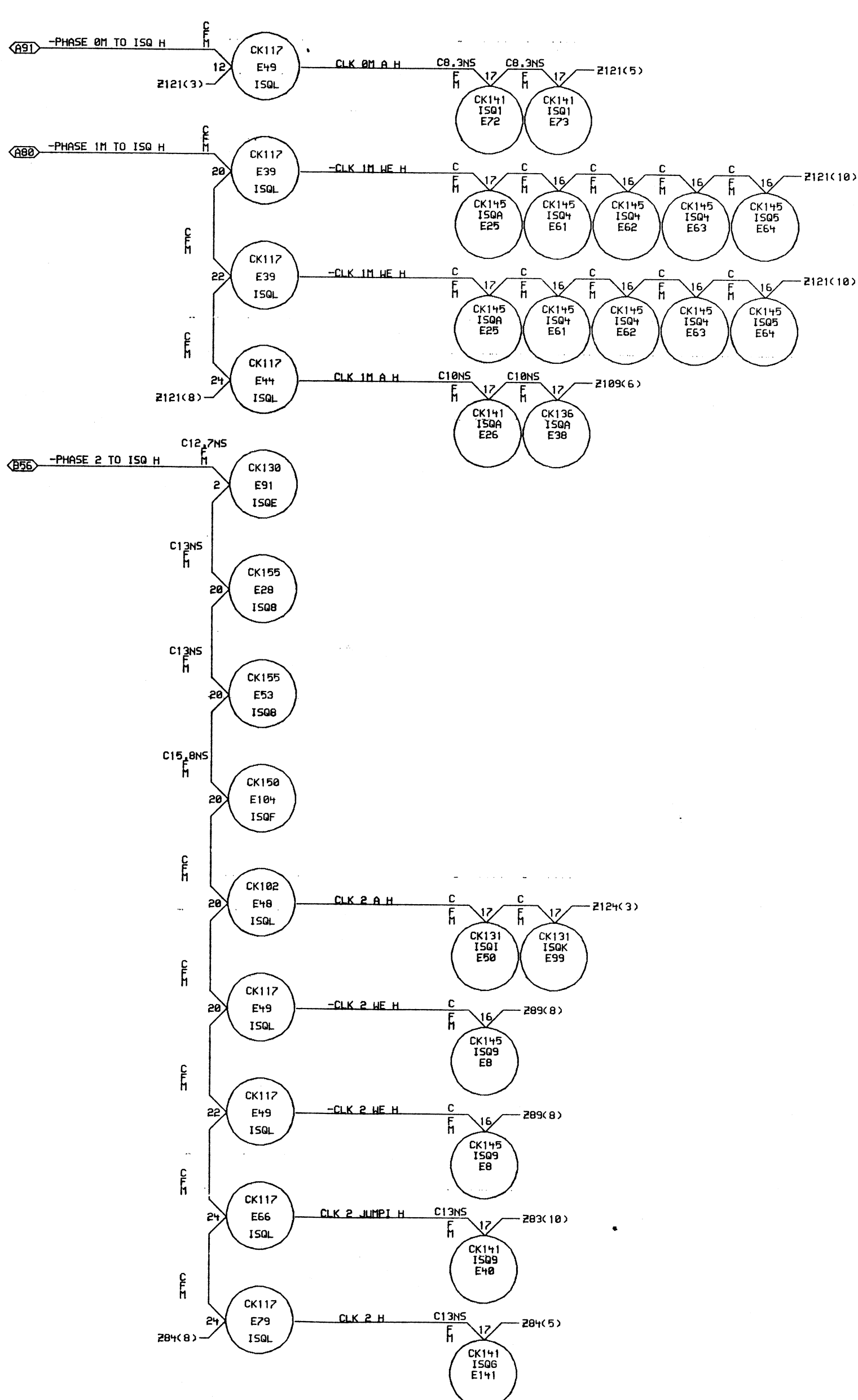


DRN.	DATE	ENG.	DATE	TITLE:	FLUSH JUMP IN VALID		
CHK'D.	DATE	BOARD LOCATION:	SHEET	OF	SIZE	CODE	NUMBER
PROTQJ: <2880.150>BLOCK6.DRW 21-SEP-82 13:28 NEXT HIGHER ASSEMBLY:				D	CS		REV.
FIRST USED ON OPTION/MODEL:							

ISQ



DRN.	DATE	ENG.	DATE	TITLE:
CHK'D.	DATE	BOARD LOCATION:		
PROTO: J:\2000_100-15>TINCHI.DRW 19-OCT-82 14:58		NEXT HIGHER ASSEMBLY:		SIZE CODE
FIRST USED ON OPTION/MODEL:				NUMBER
				REV.



DRN.	DATE	ENG.	DATE	TITLE:
CHK'D.	DATE	BOARD LOCATION:	SHEET	OF
FIRST USED ON OPTION/MODEL:				SIZE
				D CS
				NUMBER
				REV.

7 6 5 4 3 2 1

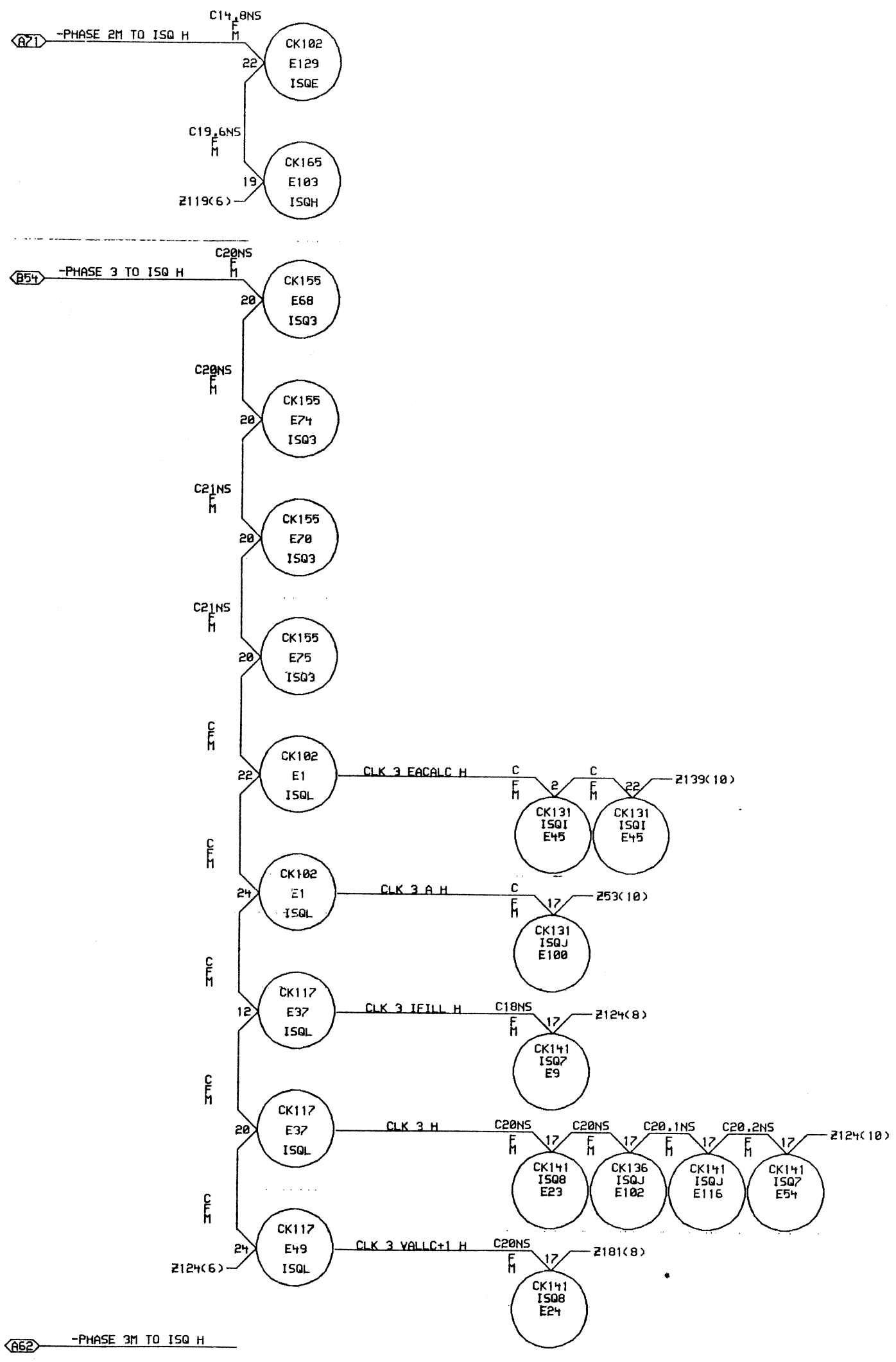
D

C

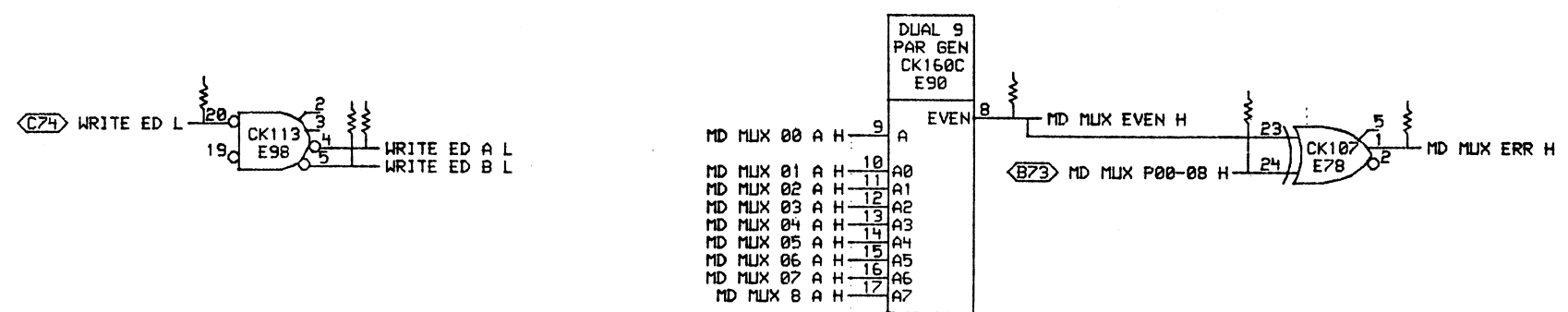
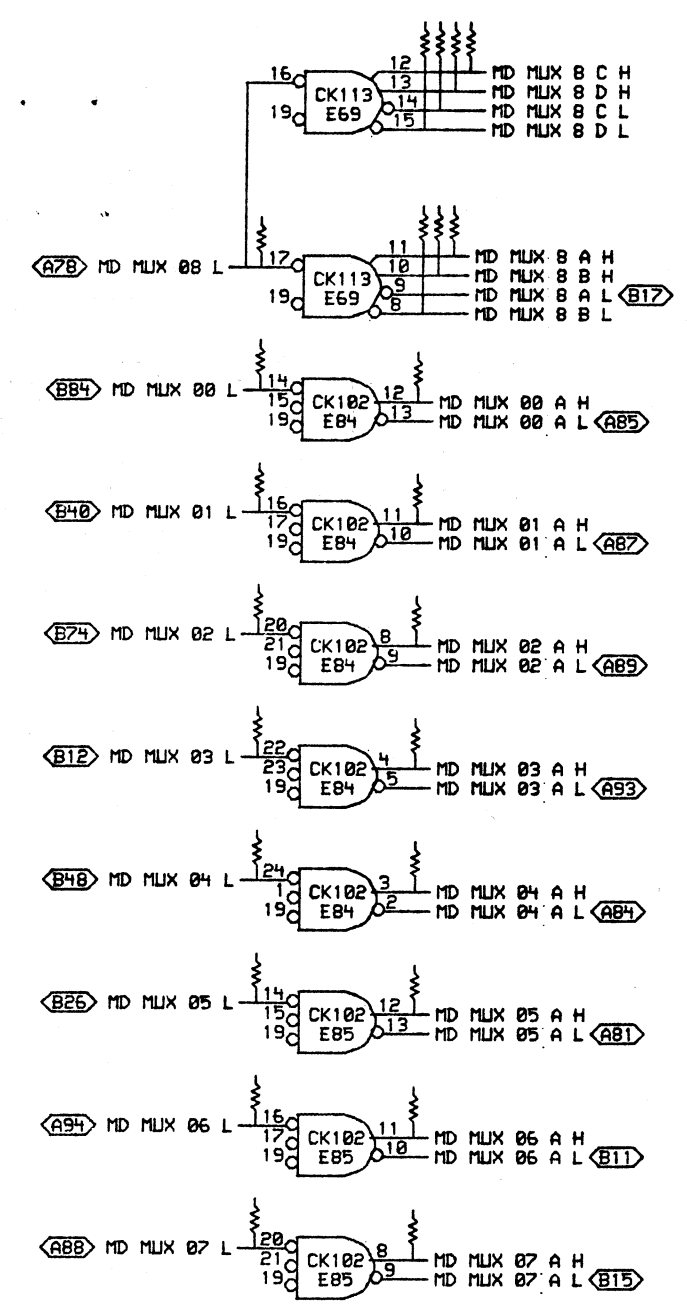
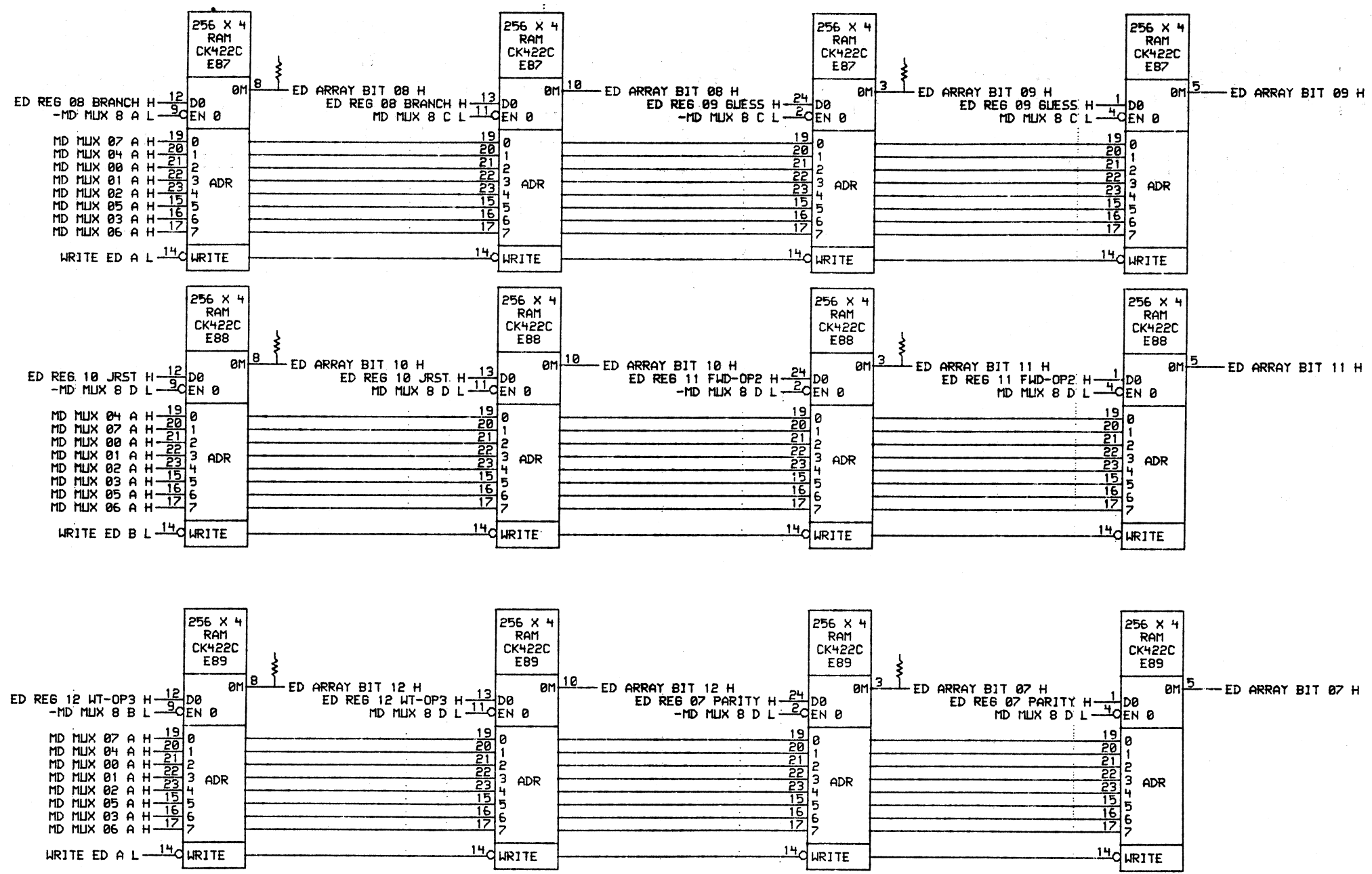
B

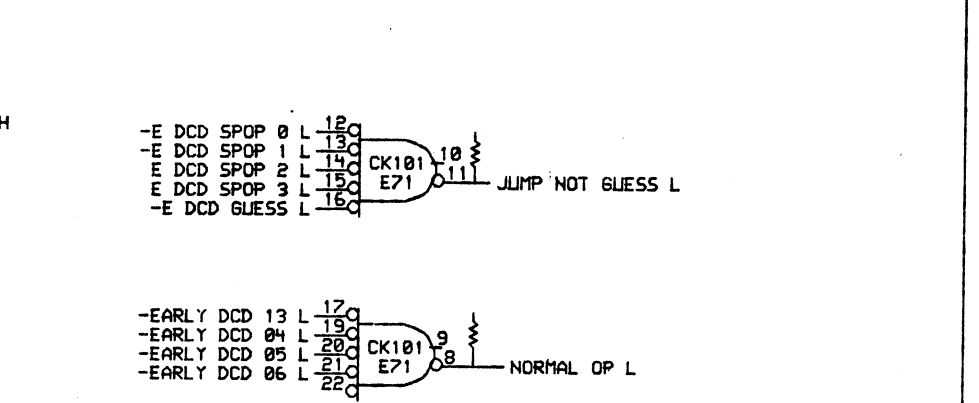
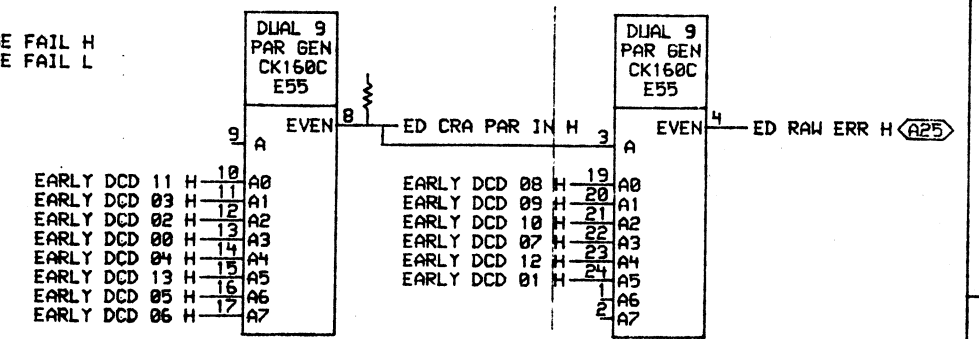
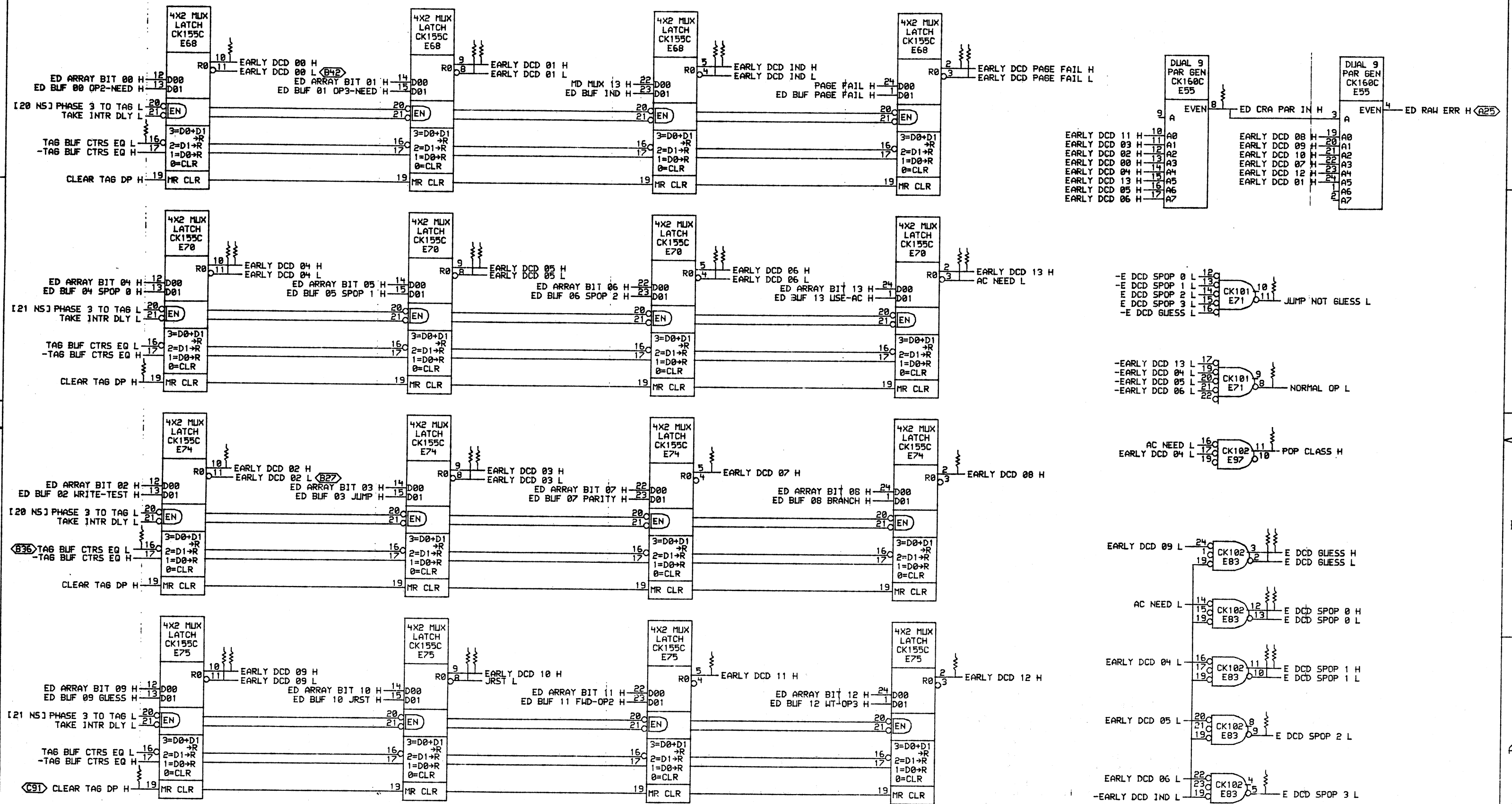
A

8 7 6 5 4 3 2 1

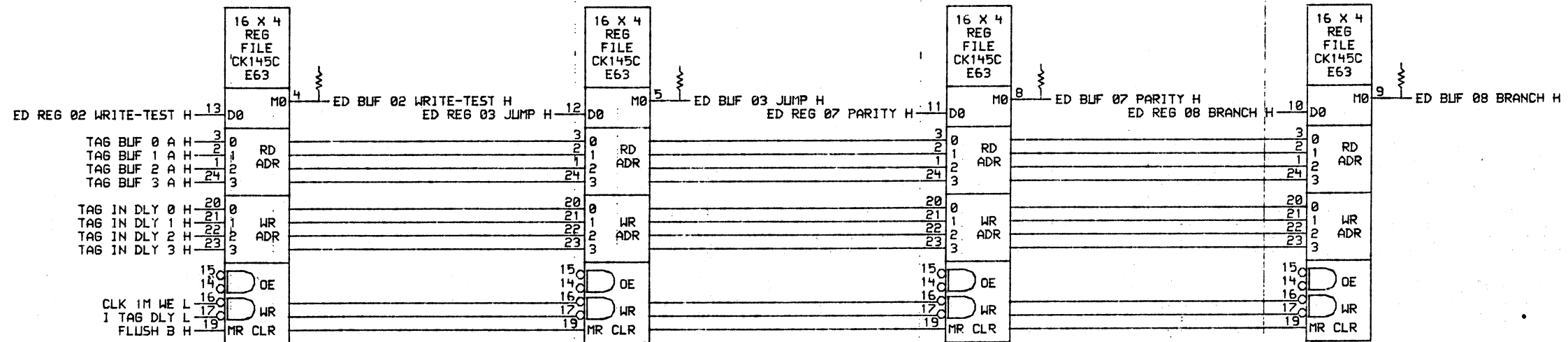
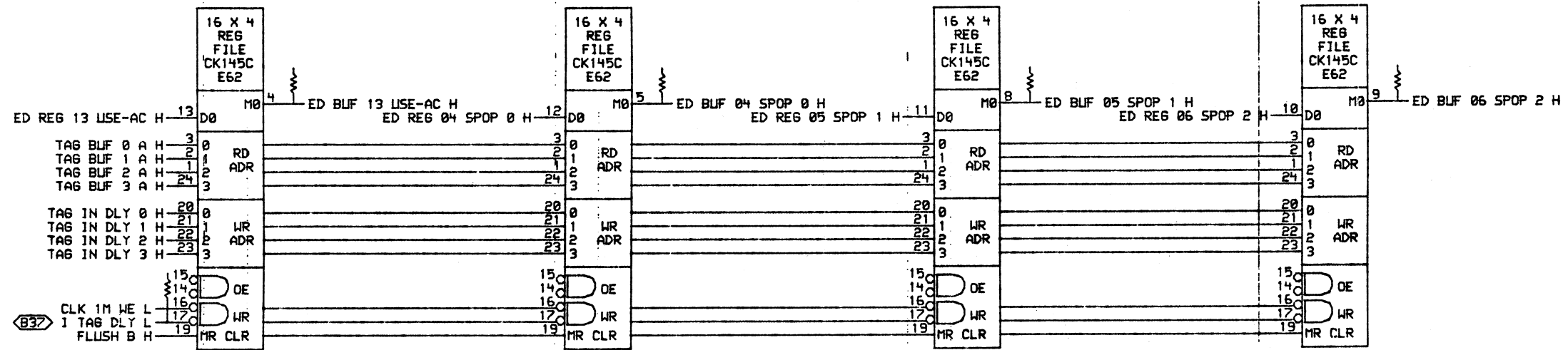
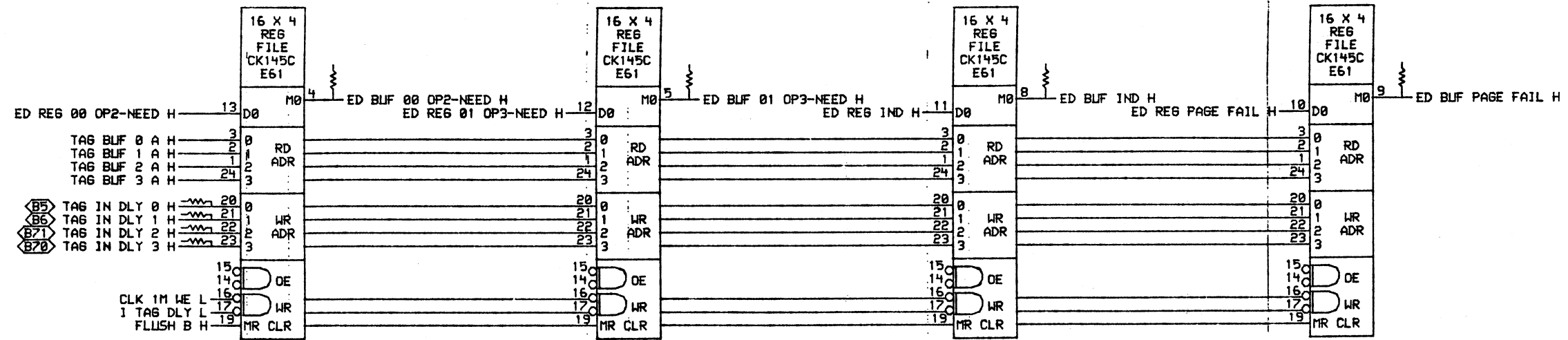


DRN.	DATE	ENG.	DATE	TITLE:
CHK'D.	DATE	BOARD LOCATION:		
PROJECT: <2000, L00-13> INCH3.DWG	19-OCT-82 15:37	NEXT HIGHER ASSEMBLY:	SIZE	CODE
FIRST USED ON OPTION/MODEL:			D	CS
			NUMBER	REV.

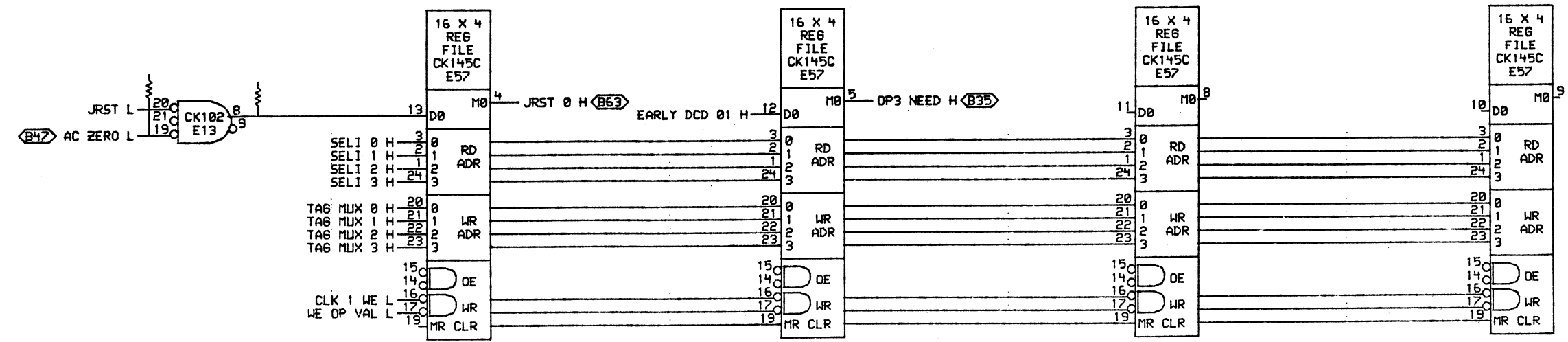
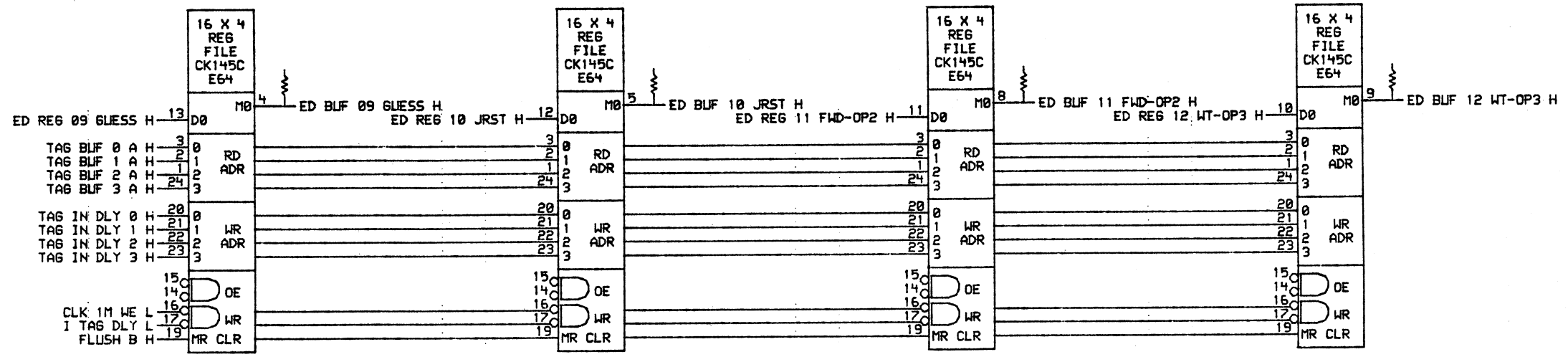




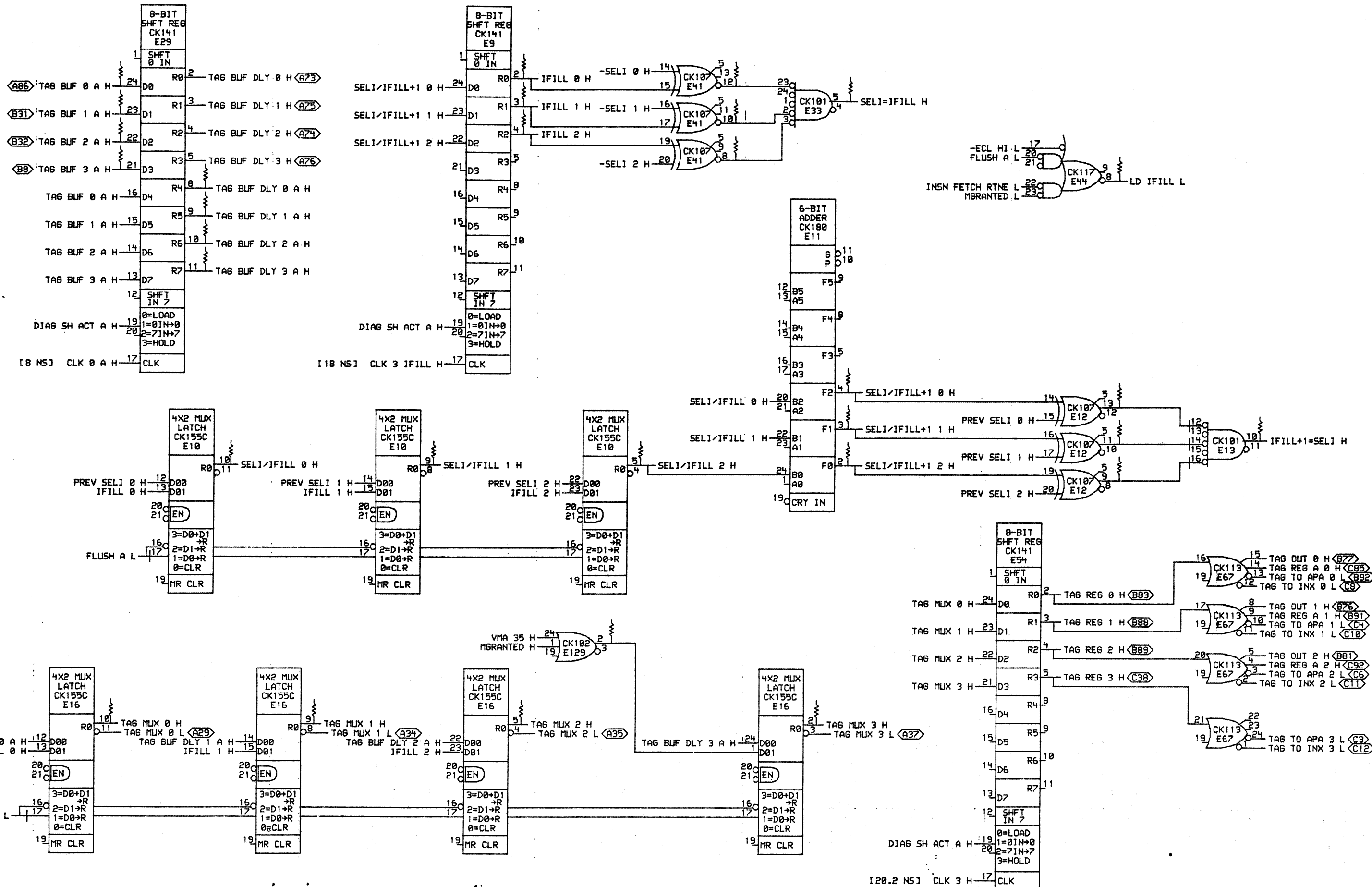
DRN.	DATE	ENG.	DATE	TITLE:
CHK'D.	19-OCT-82			E DECODE BUF
PROTODJ: (2080.L004) 1503.DRW		11-OCT-82 12:13		NEXT HIGHER ASSEMBLY:
SIZE	CODE	NUMBER	REV.	
D	CS	L0054-0-1503		



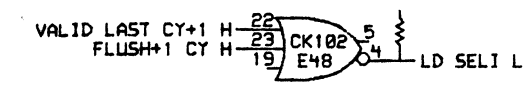
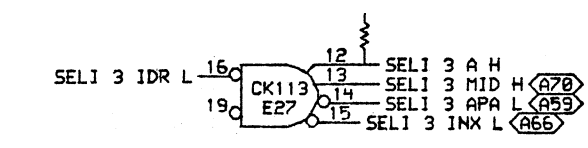
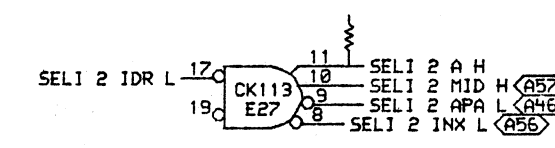
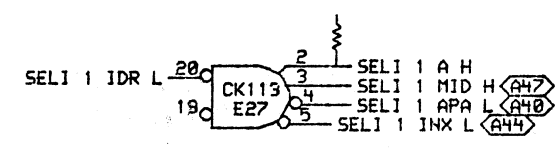
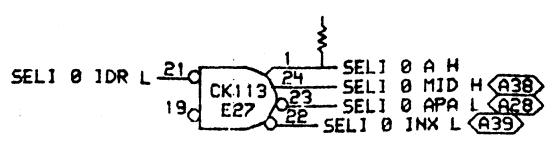
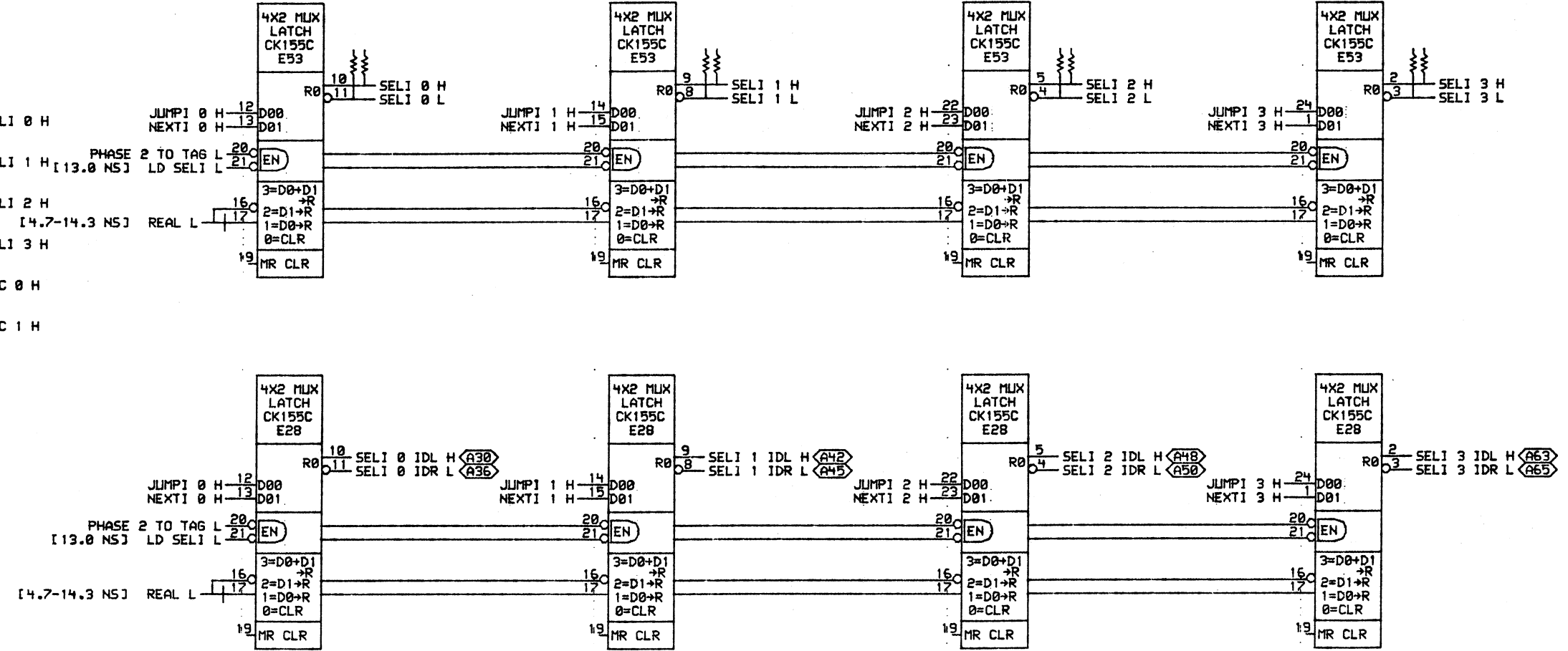
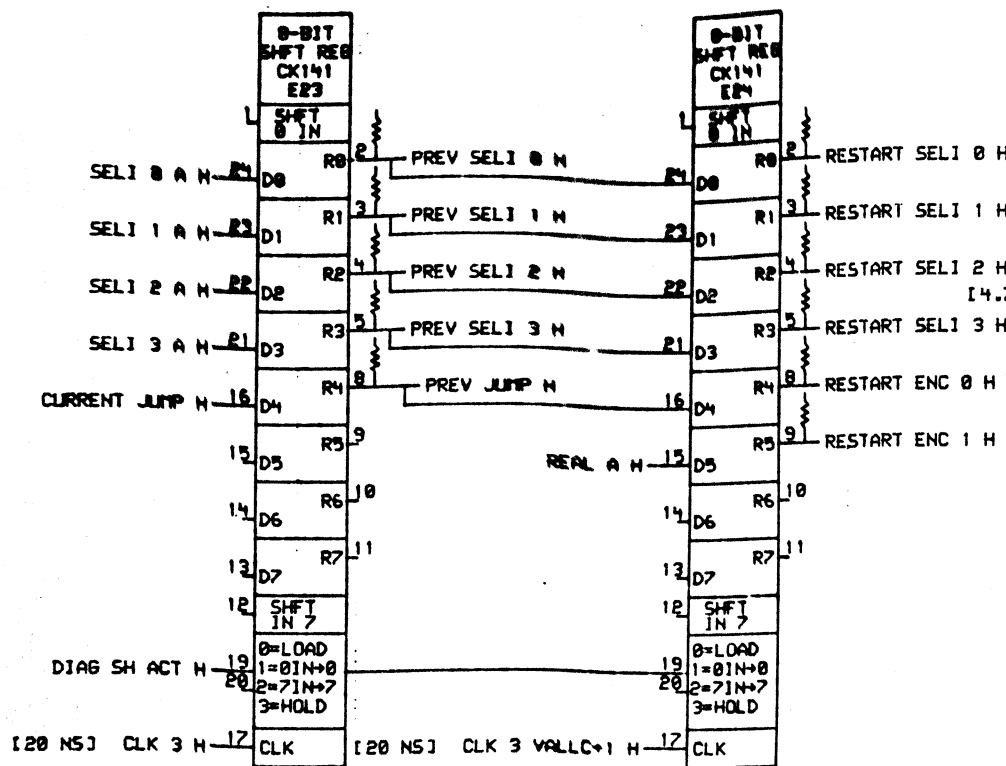
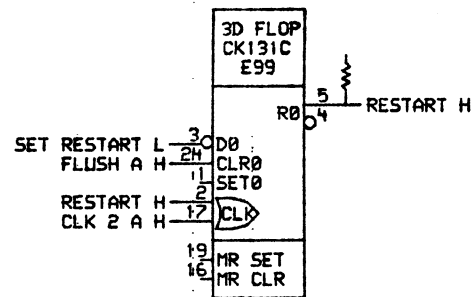
DRN.	DATE	ENG.	DATE	TITLE:
CHK'D.	13-OCT-82			E DECODE BLF
		BOARD LOCATION:		ISQ2
		SHEET		
PROTJ: <2880.L005>1SQ.DRW	11-OCT-82 12:20	NEXT HIGHER ASSEMBLY:	SIZE	CODE
FIRST USED ON OPTION/MODEL:			D	C5
			NUMBER	REV.
			L0054-0-1SQ4	



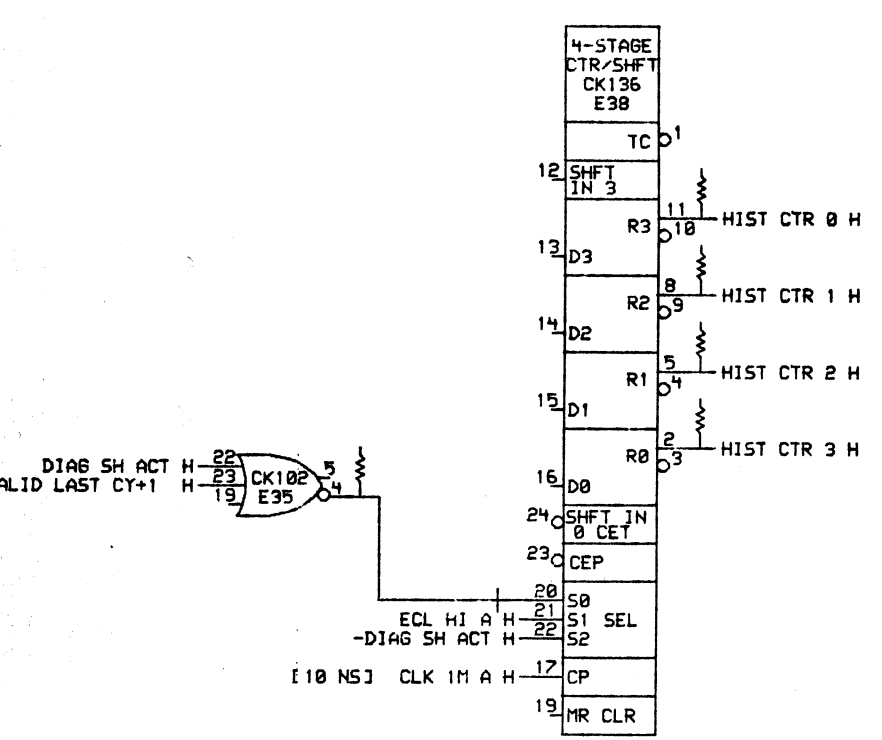
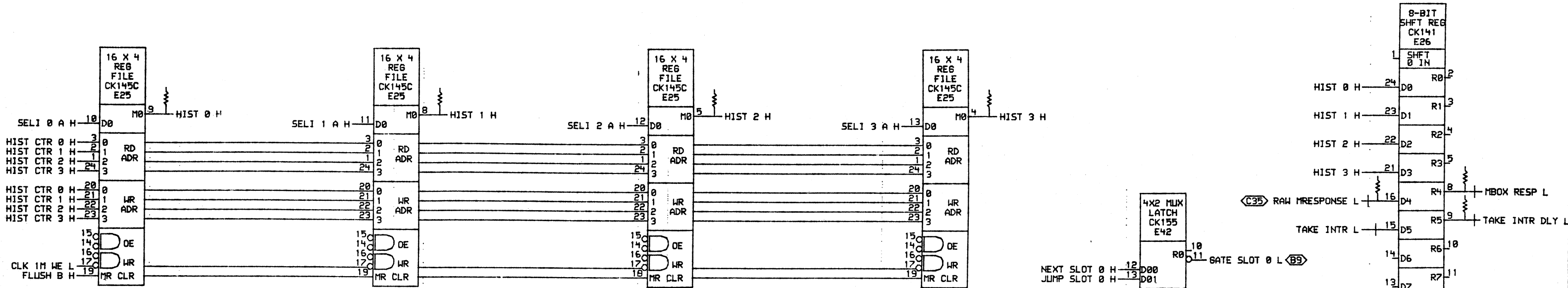
DRN.	DATE	ENG.	DATE	TITLE:	E DECODE BLIF		
CHK'D.	DATE	BOARD LOCATION:	SHEET		SIZE	CODE	NUMBER
PROTOL: <2000.L0045> ISQ5.DRW 11-OCT-82 12:26				NEXT HIGHER ASSEMBLY:	D	CS	L0052-0-ISQ5
FIRST USED ON OPTION/MODEL:							REV.



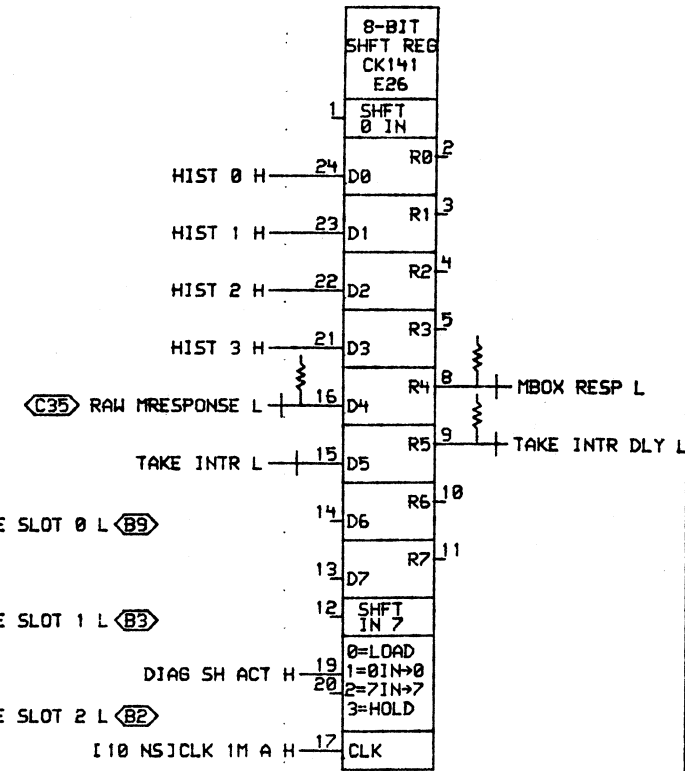
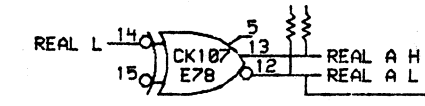
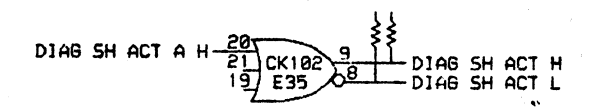
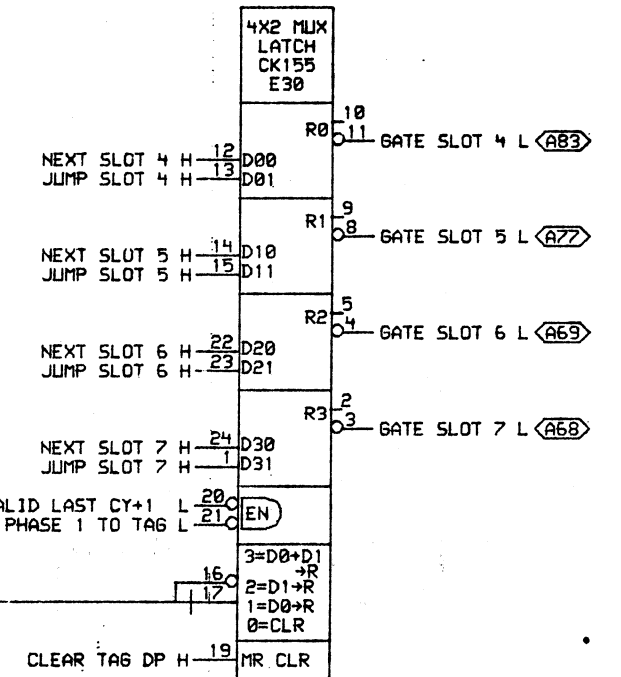
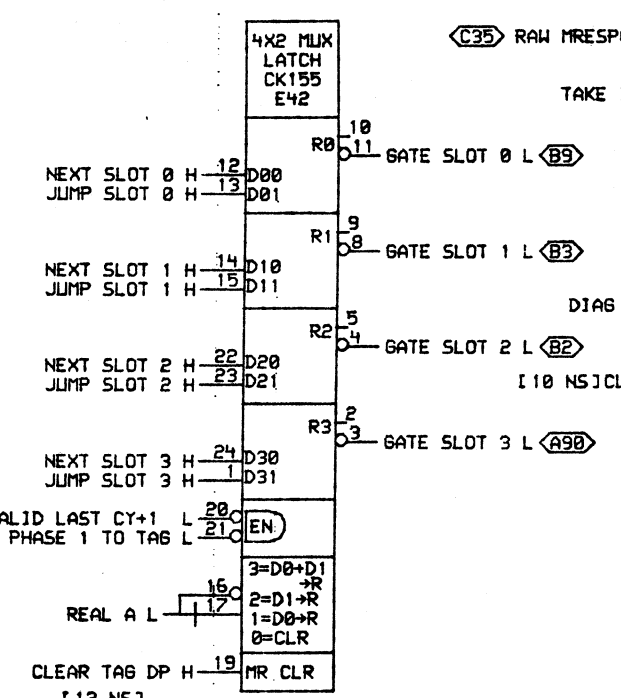
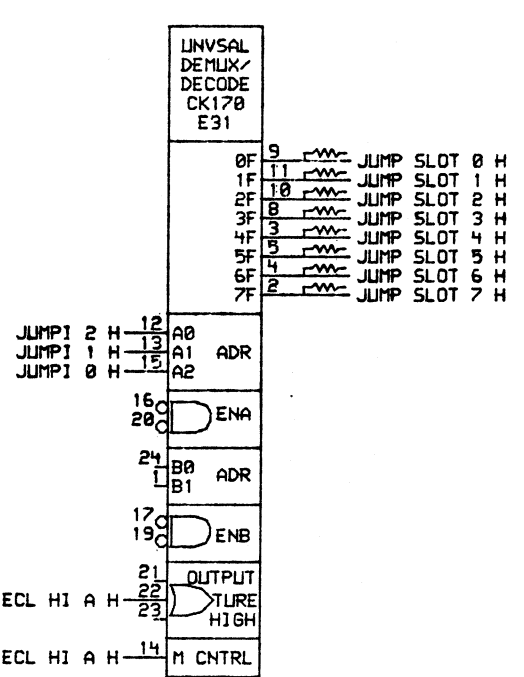
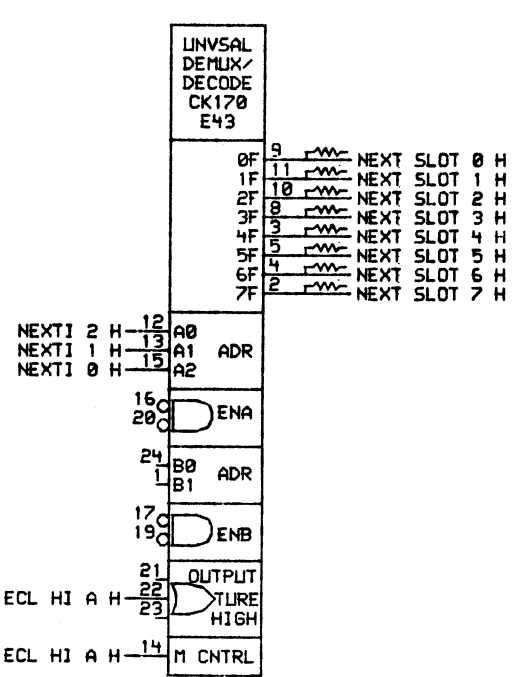
DRN.	DATE	ENG.	DATE	TITLE:
CHK'D.	DATE	BOARD LOCATION:	SHEET	TAG REG, IFILL
PROJ: (2880, L0054) 1507.DRW [07-OCT-82 15:11] NEXT HIGHER ASSEMBLY:				SIZE
FIRST USED ON OPTION/MODEL:				CODE
				NUMBER
				REV.
				D CS L0054-0-1507



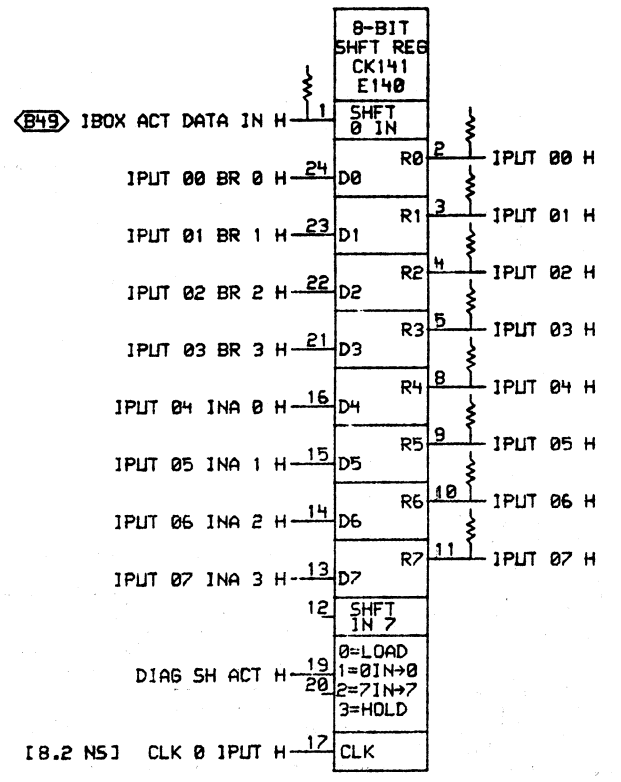
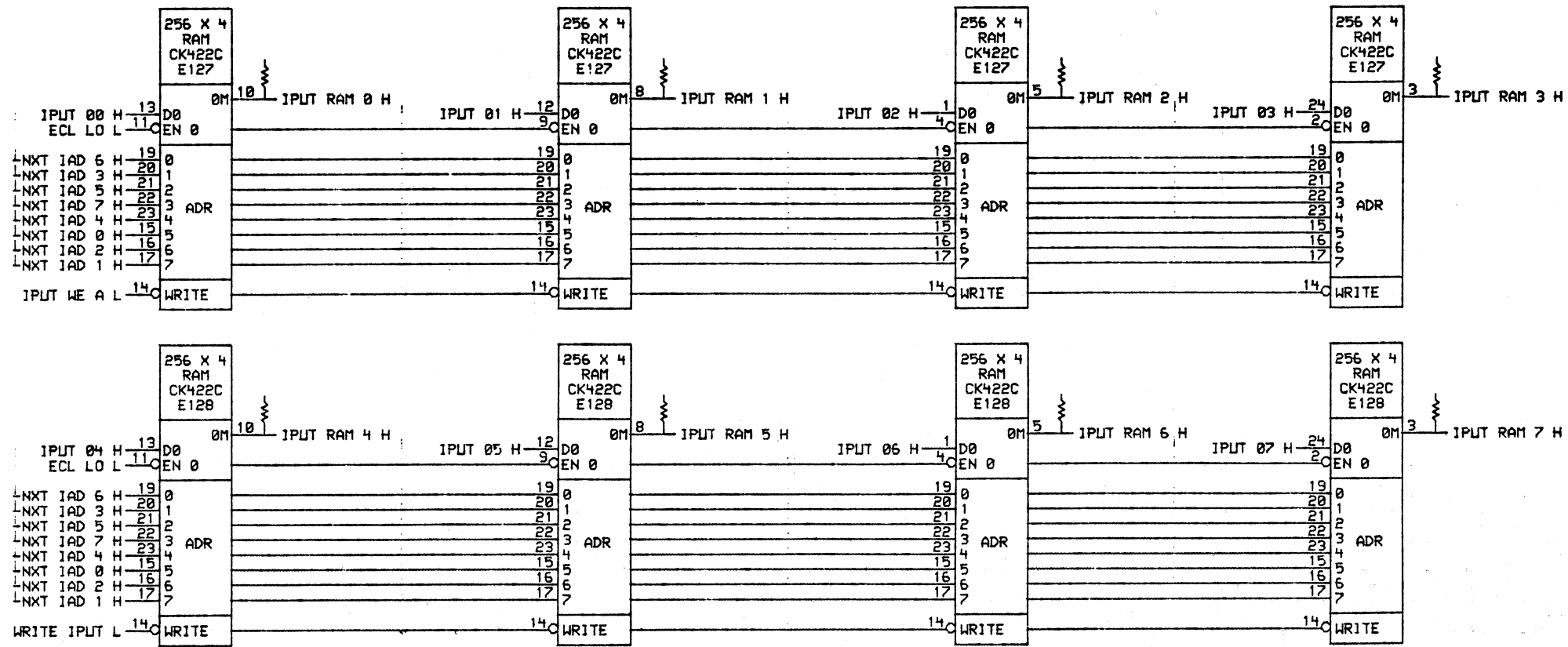
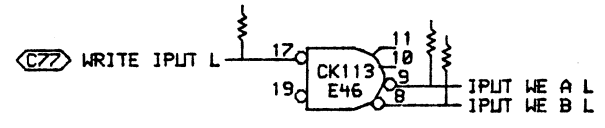
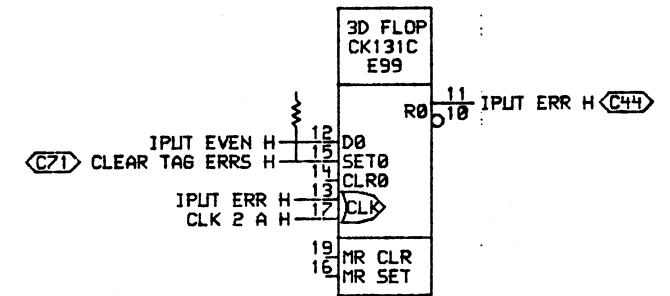
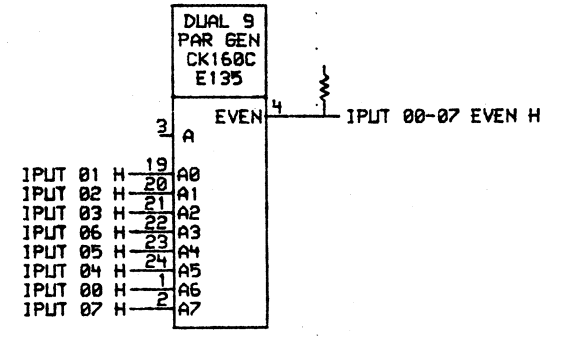
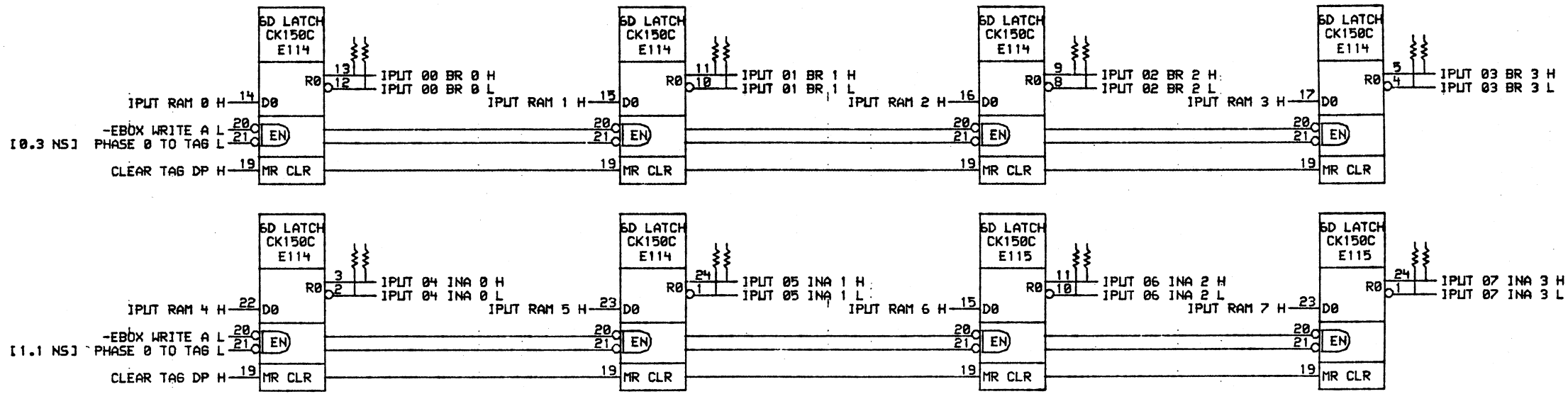
DRN.	DATE	ENG.	DATE	TITLE:	SEL1, PREV SEL1
CHK'D.	DATE	BOARD LOCATION:	SHEET	OF	
PROTOJ: <2000.L0045>ISQ8.DRW 07-OCT-82 15:14				NEXT HIGHER ASSEMBLY:	SIZE CODE
FIRST USED ON OPTION/MODEL:					D CS
				NUMBER	L0054-0-1SQ8
				REV.	

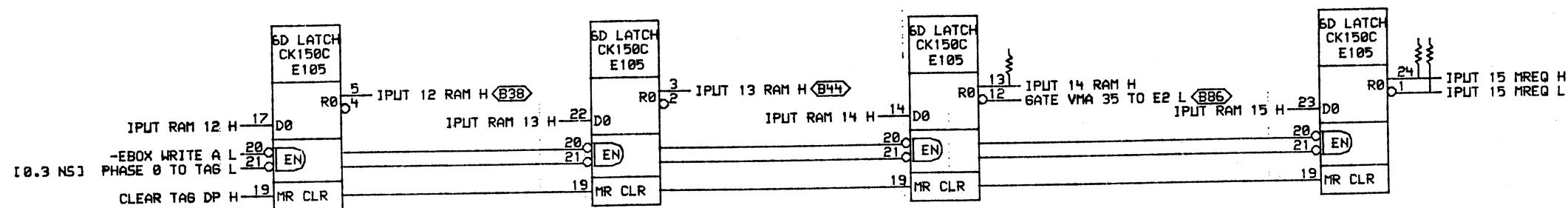
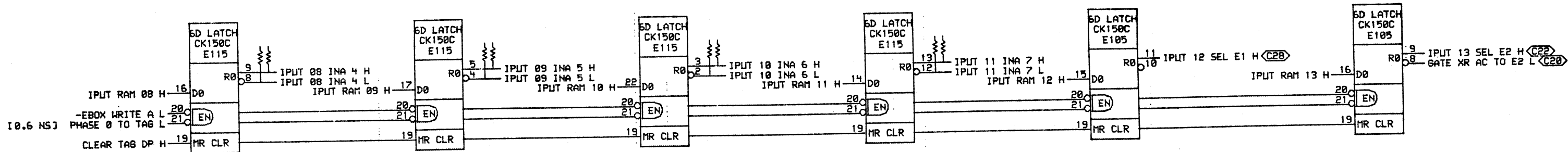


LHH=COUNT UP
LHL=SHIFT LEFT
HHH=HOLD

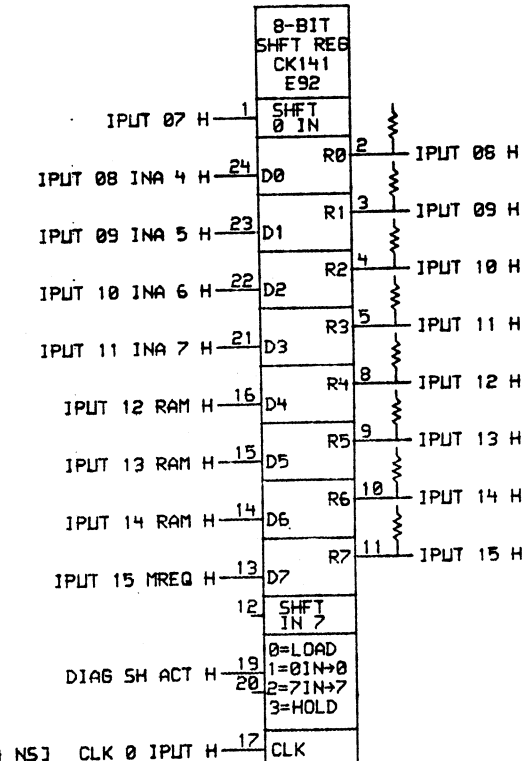
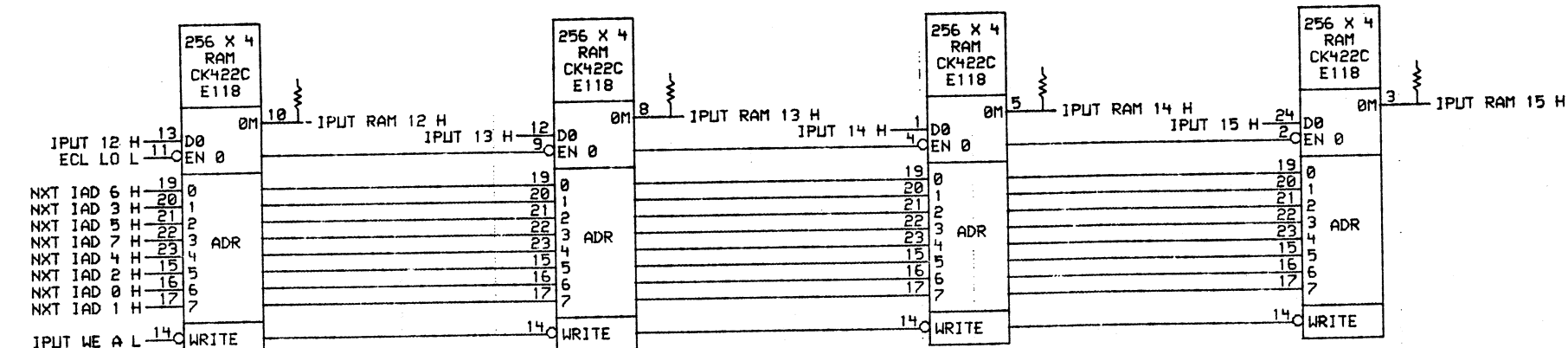
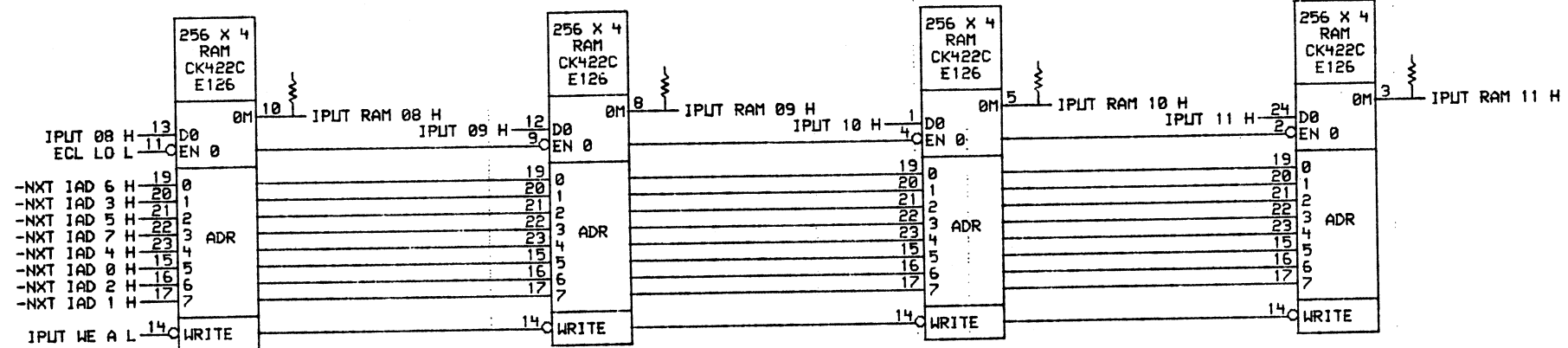
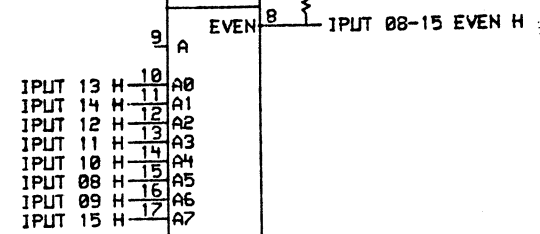


DRN.	DATE	ENG.	DATE	TITLE:
CHK'D.	DATE	BOARD LOCATION:		GATE SLOT
PROTO: <2000.L004> ISQA.DRW	106-OCT-82 10:00	NEXT HIGHER ASSEMBLY:	SIZE	CODE
FIRST USED ON OPTION/MODEL:			D	CS
			NUMBER	REV.
			L0054-0-15QA	



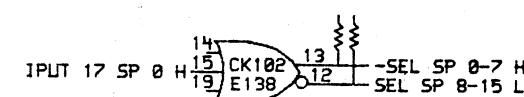
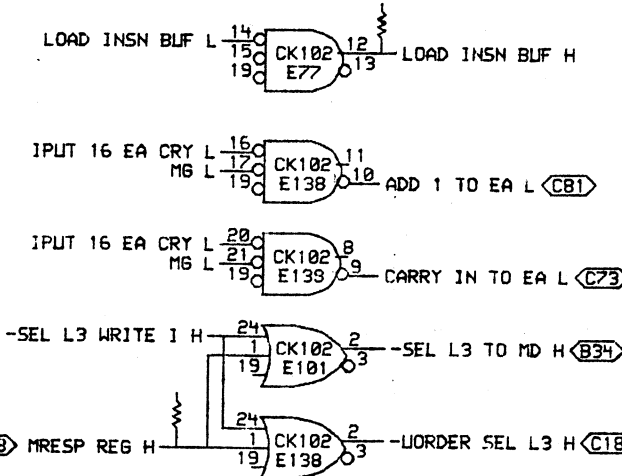
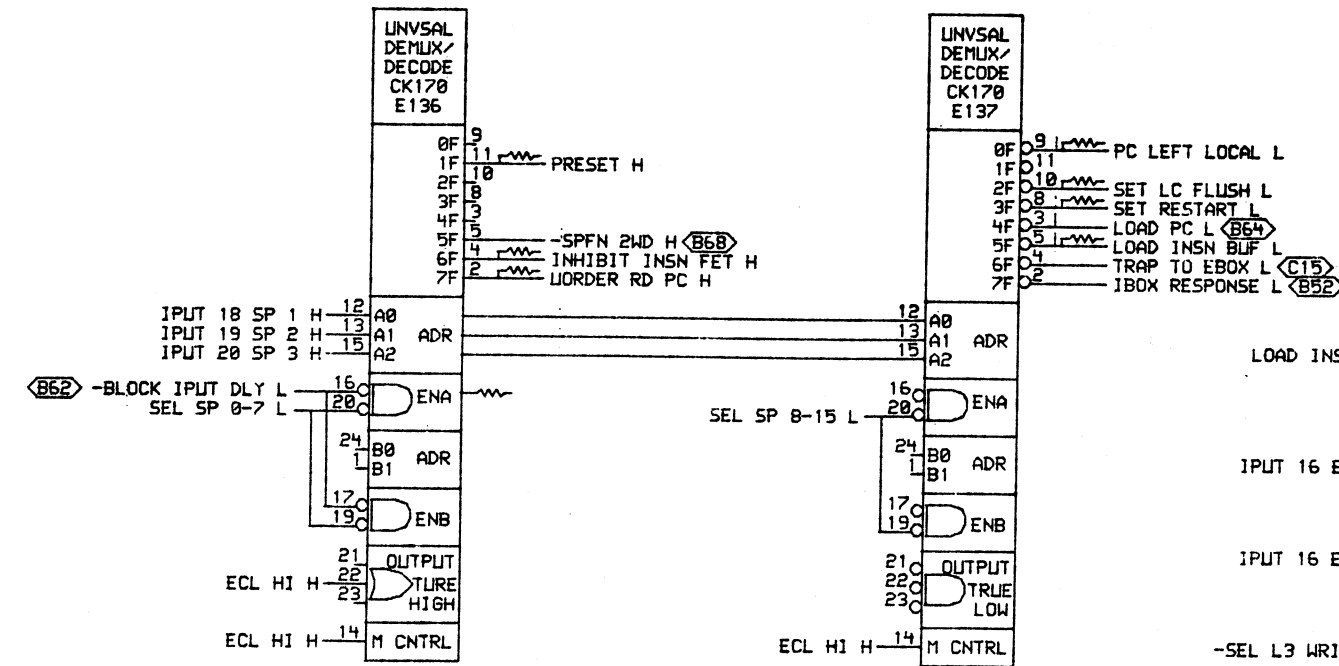
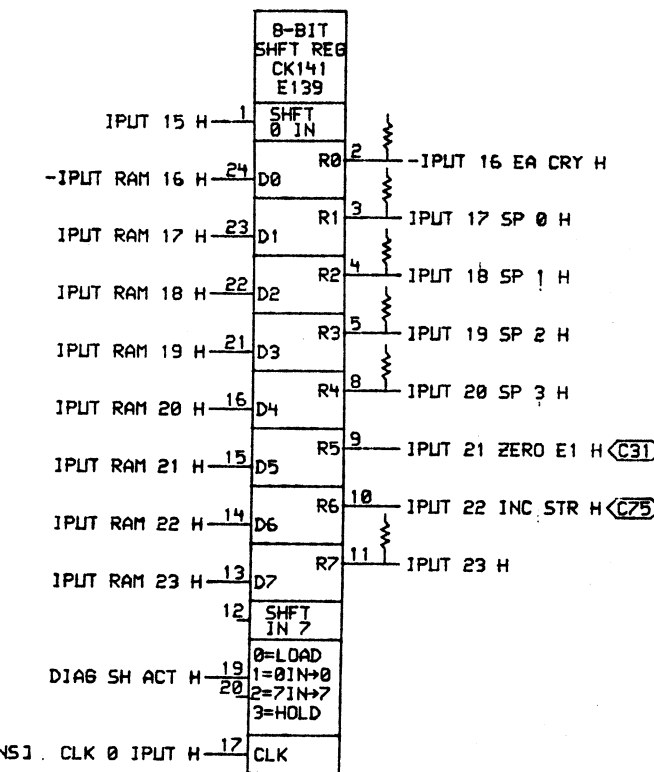
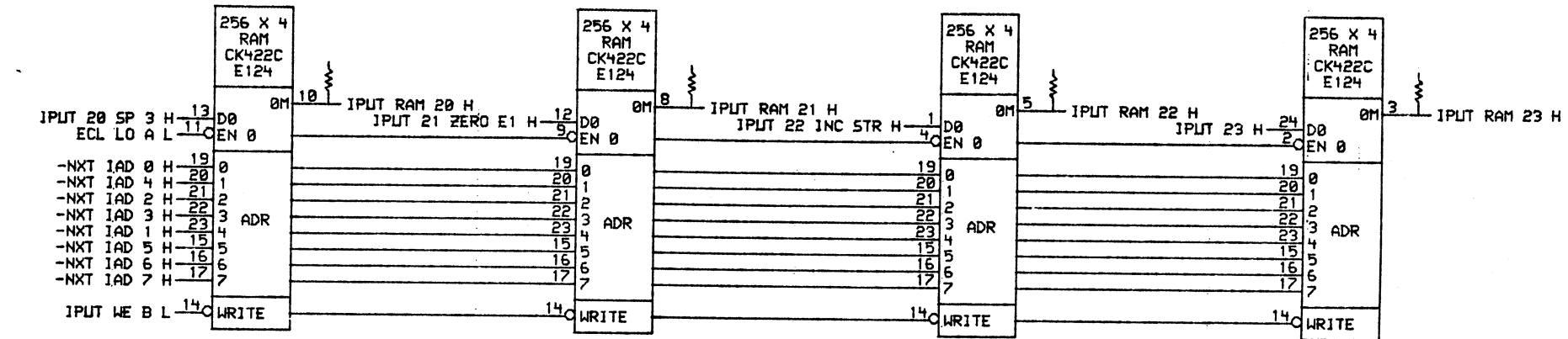
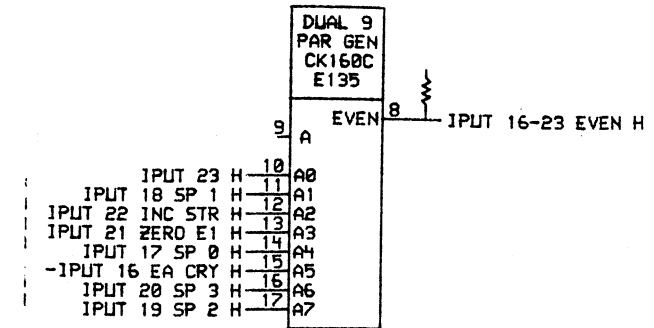
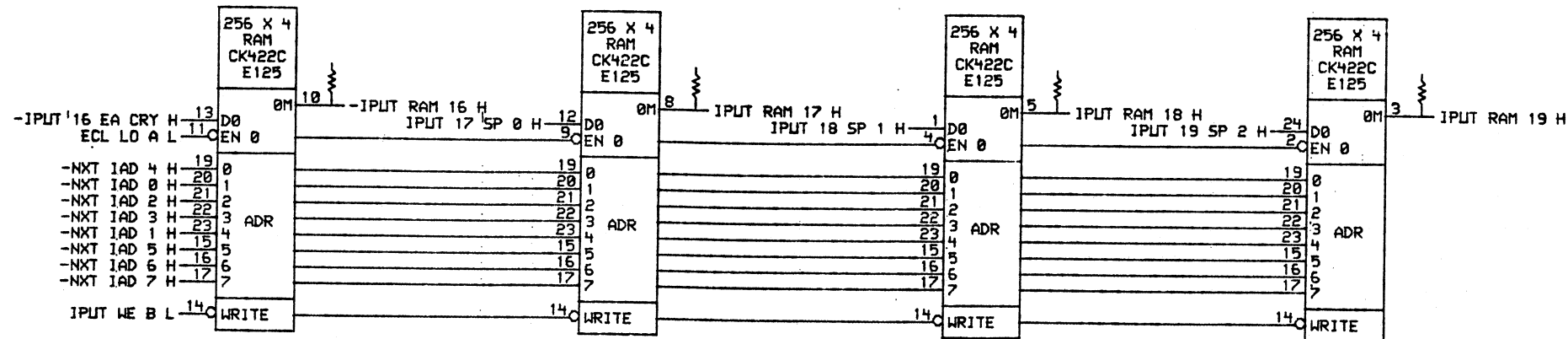


DUAL 9
PAR GEN
CK160C
E133

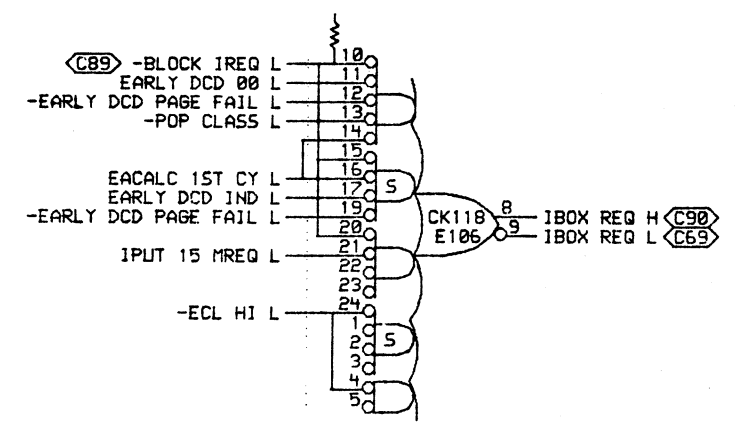
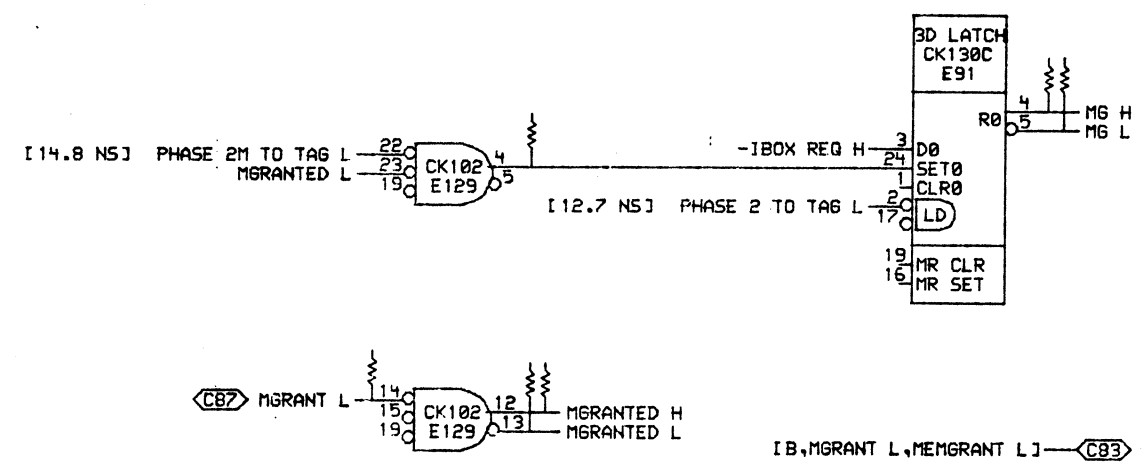
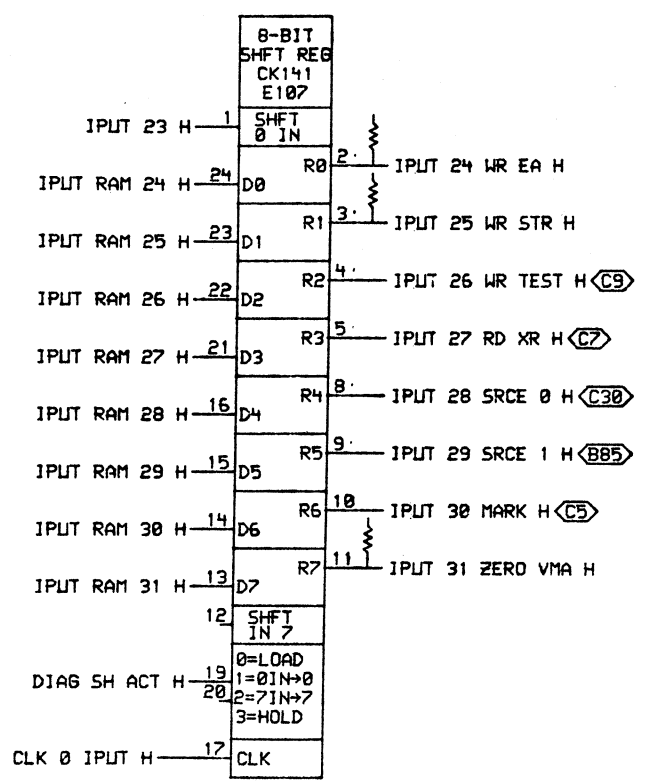
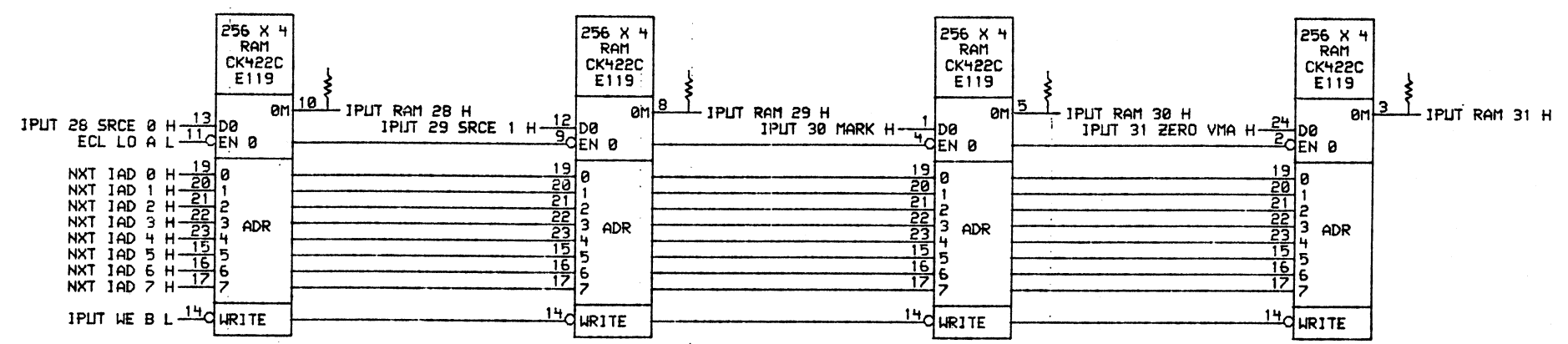
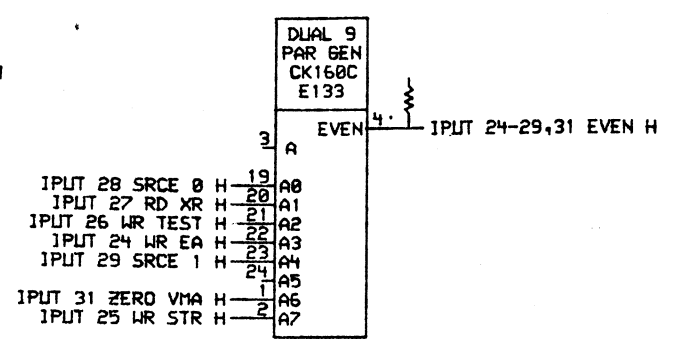
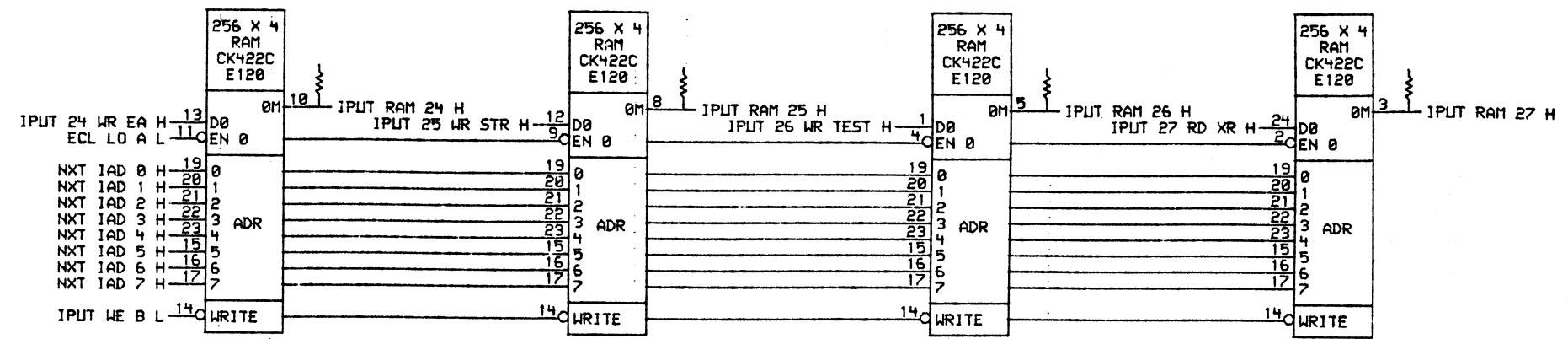


[7.4 NS] CLK 0 IPLT H

DRN.	DATE	ENG.	DATE	TITLE:
CHK'D.	13-OCT-82			IPLT EARLY
		BOARD LOCATION:		08-15
		SHEET	OF	NUMBER
PROT. J: <2000.L0043> ISOC.DRW	06-OCT-82 09:57	NEXT HIGHER ASSEMBLY:		REV.
FIRST USED ON OPTION/MODEL:	2080			
		SIZE	CODE	
		D	CS	L0054-0-ISQC

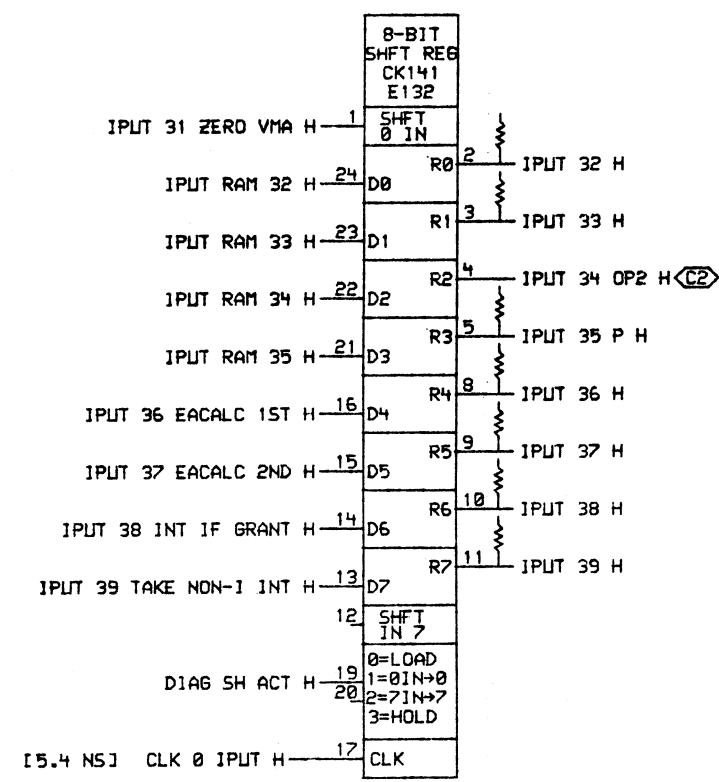
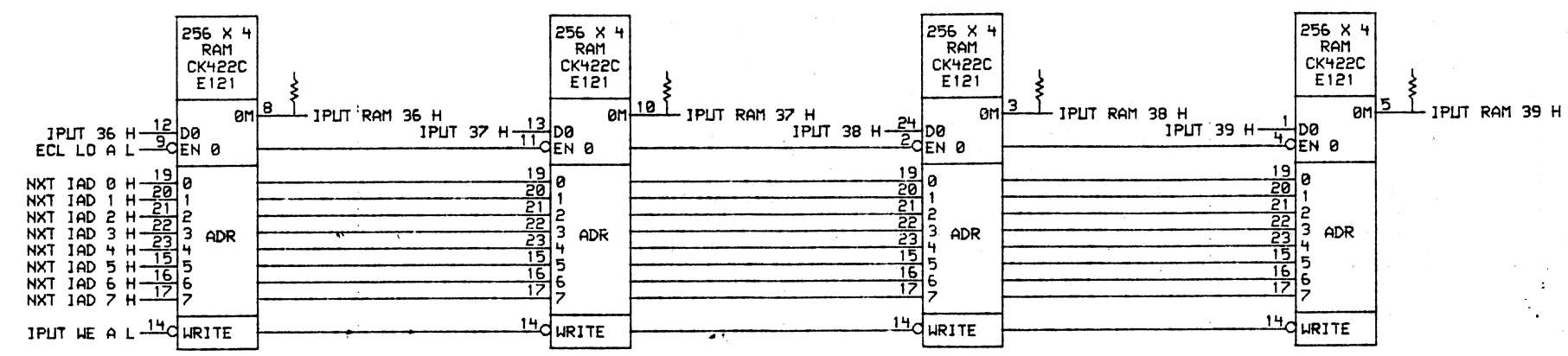
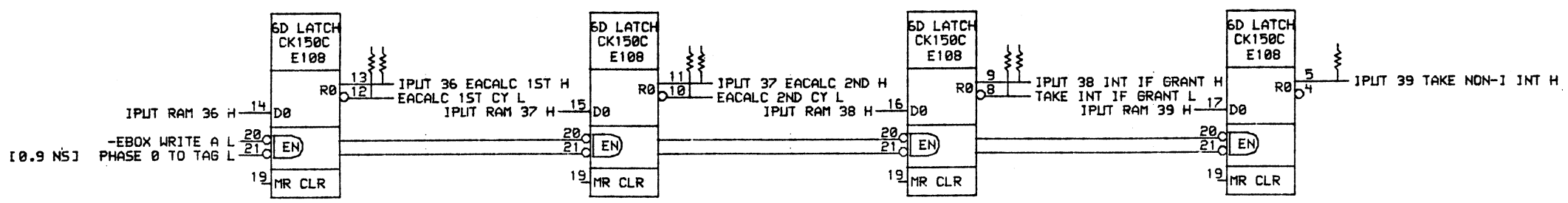
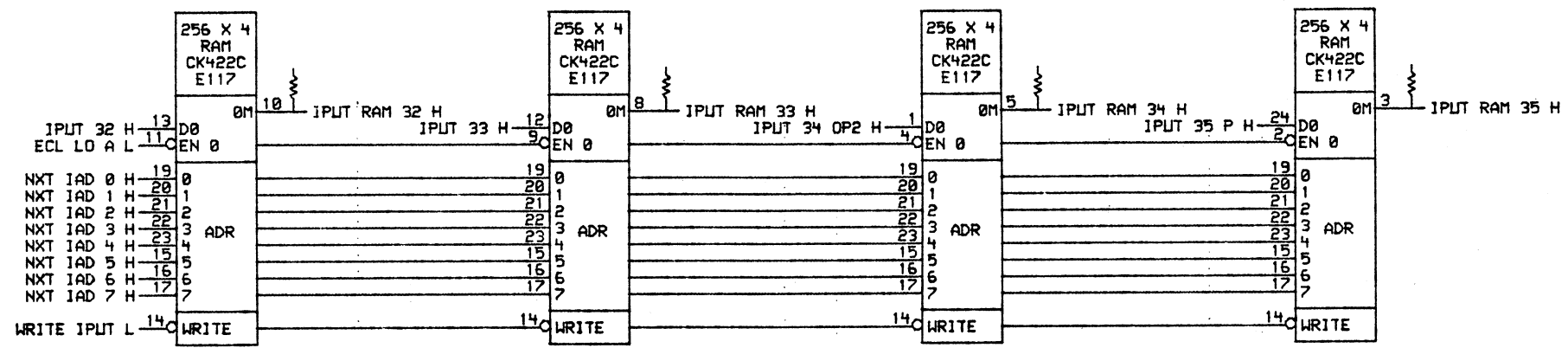
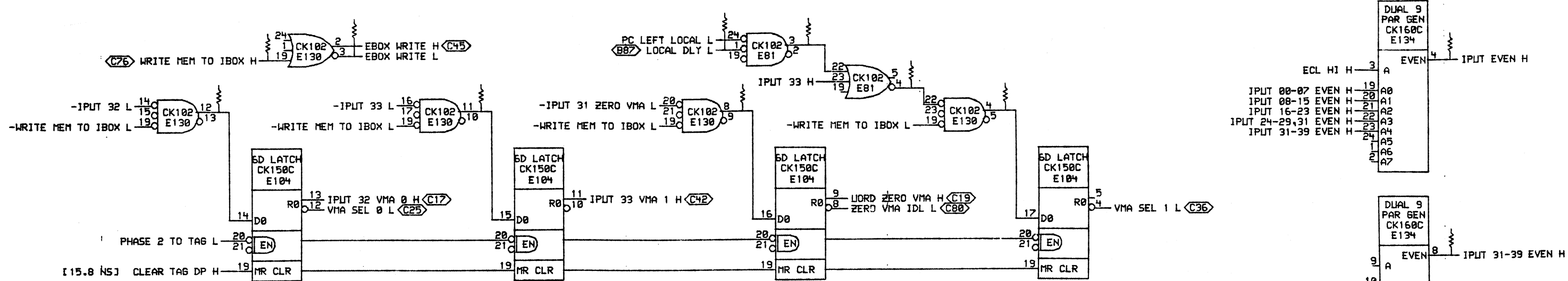


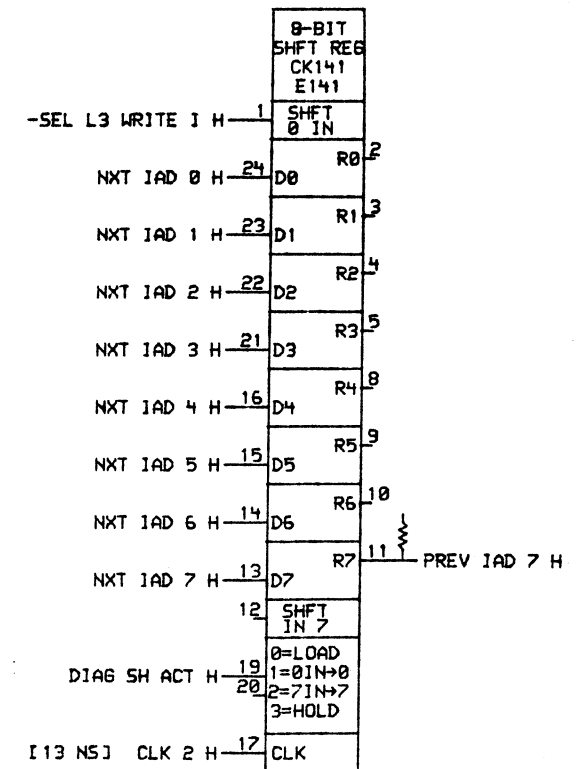
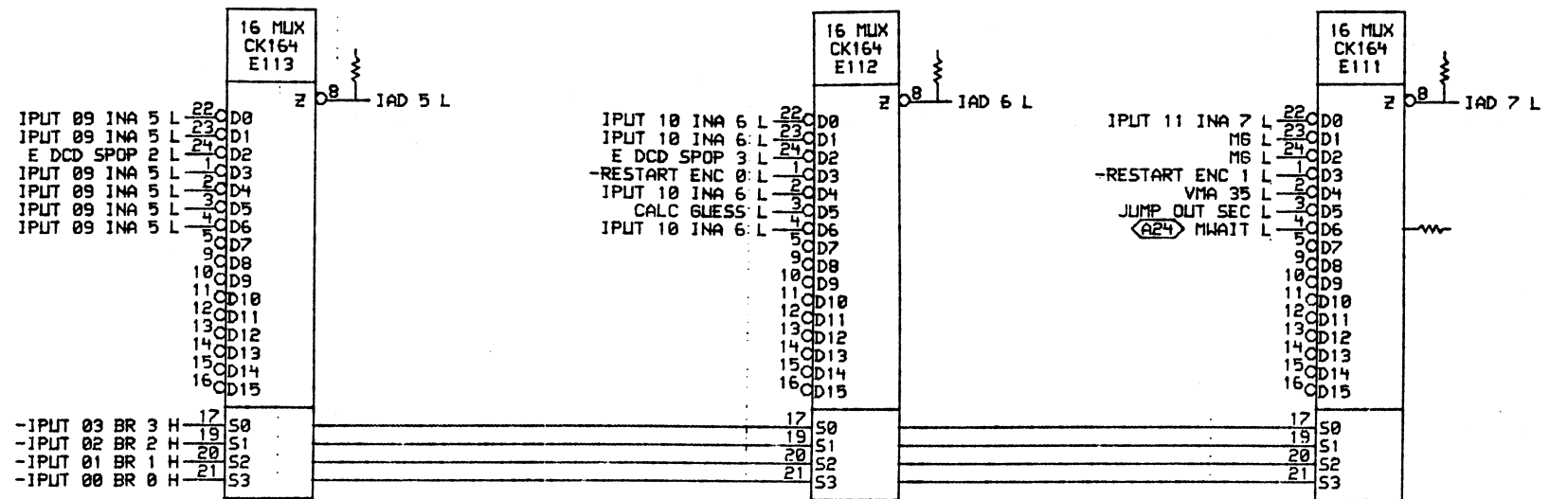
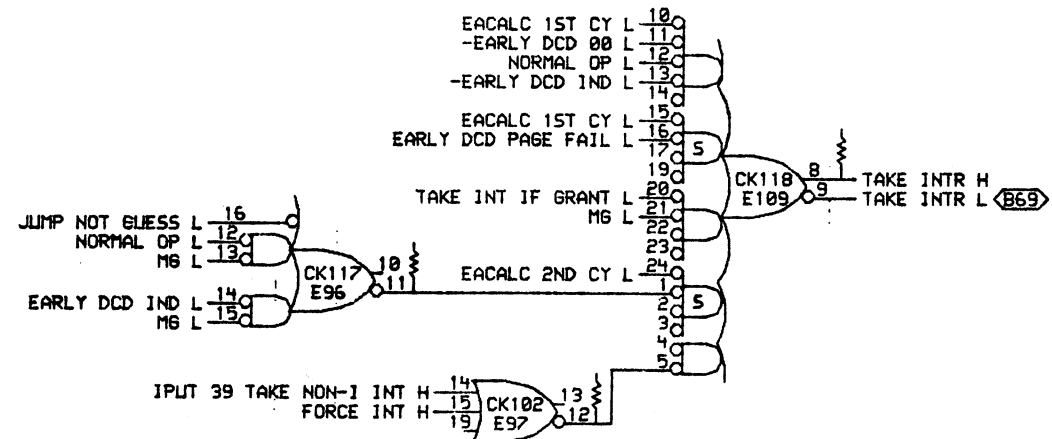
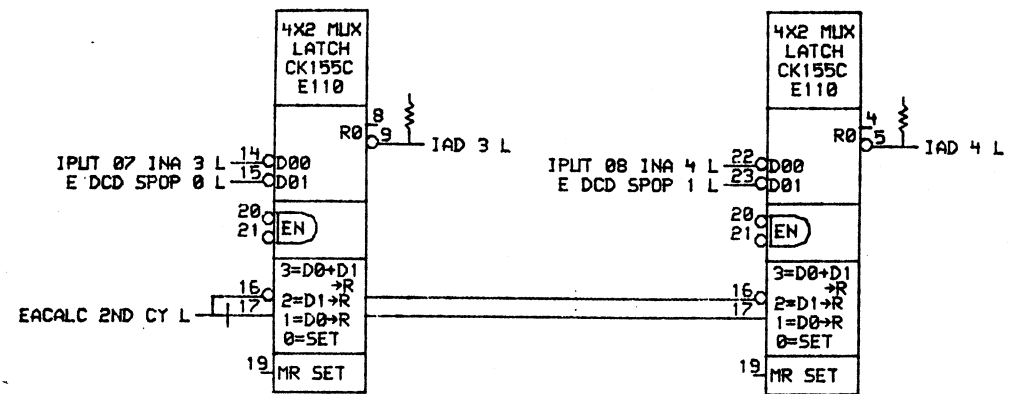
DRN.	DATE	ENG.	DATE	TITLE: IPUT INTERMEDIATE
CHK'D.	DATE	BOARD LOCATION:	SHEET OF	16-23
PROJ: <2888.L005>1500.DRW	11-OCT-82 12:35	NEXT HIGHER ASSEMBLY:	SIZE CODE	NUMBER
FIRST USED ON OPTION/MODEL: 2080			D CS	L0054-0-ISQD
				REV.



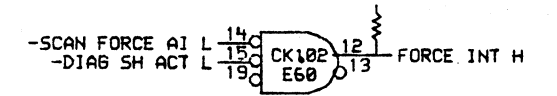
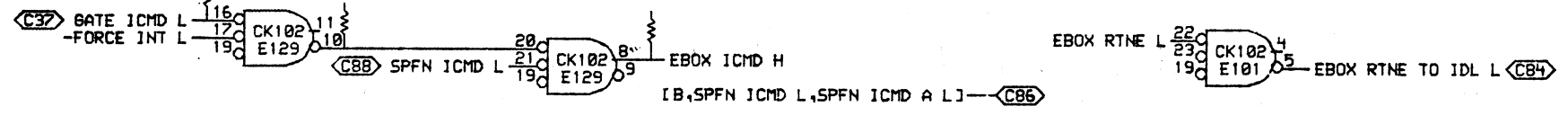
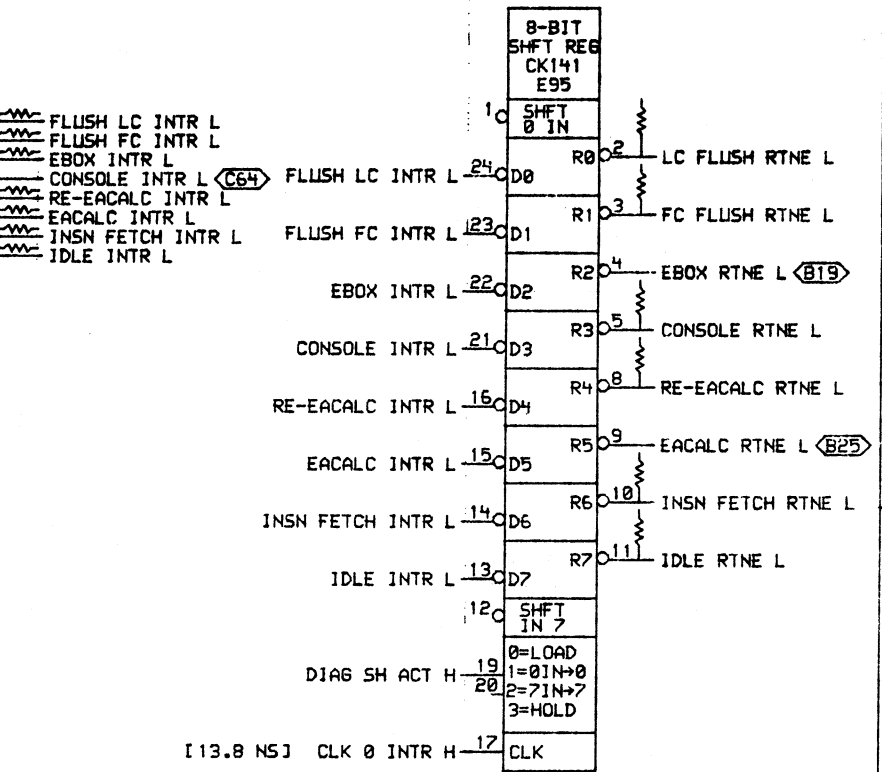
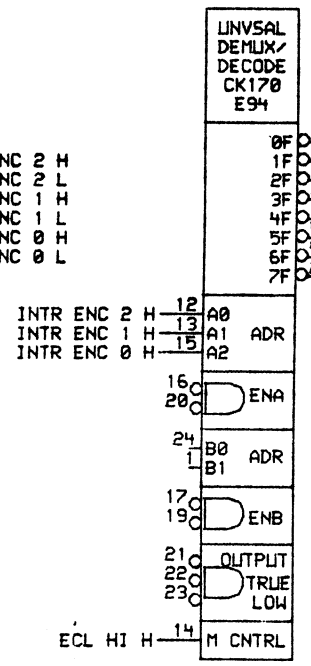
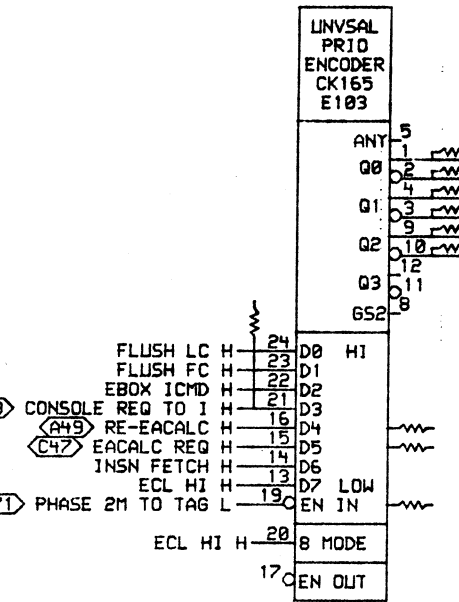
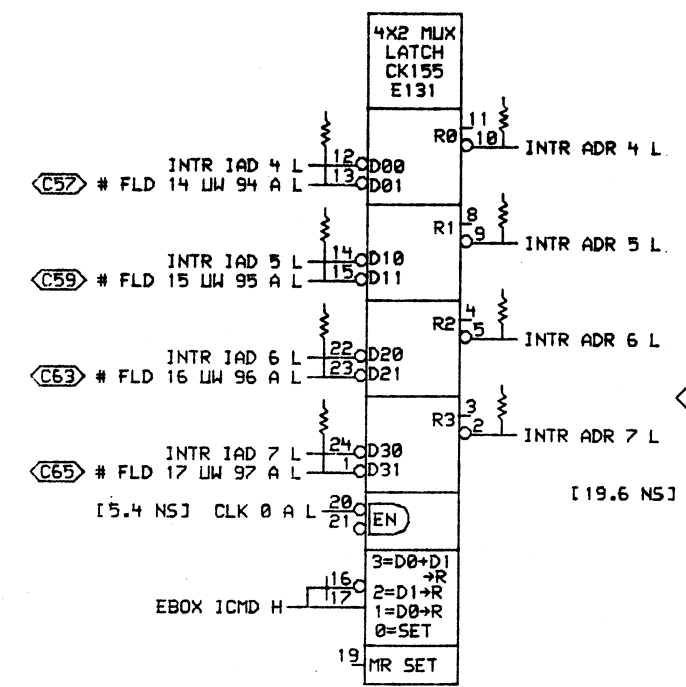
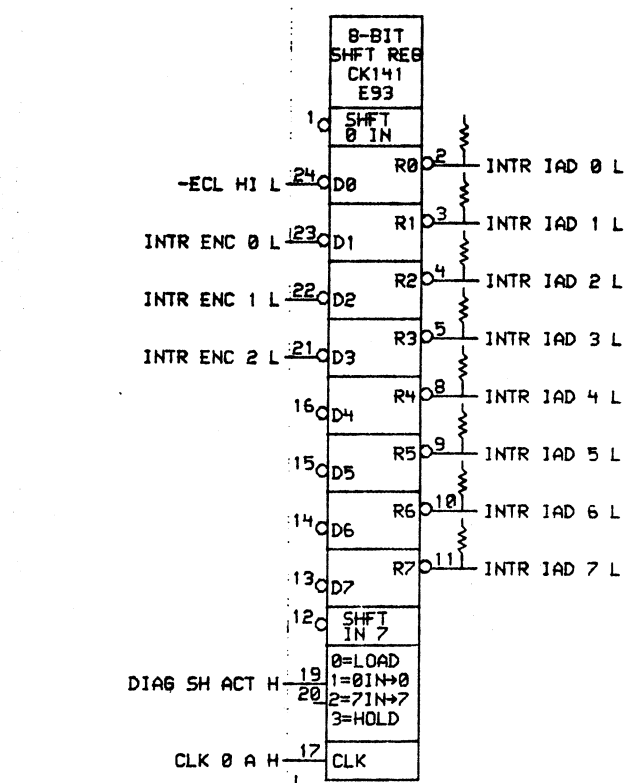
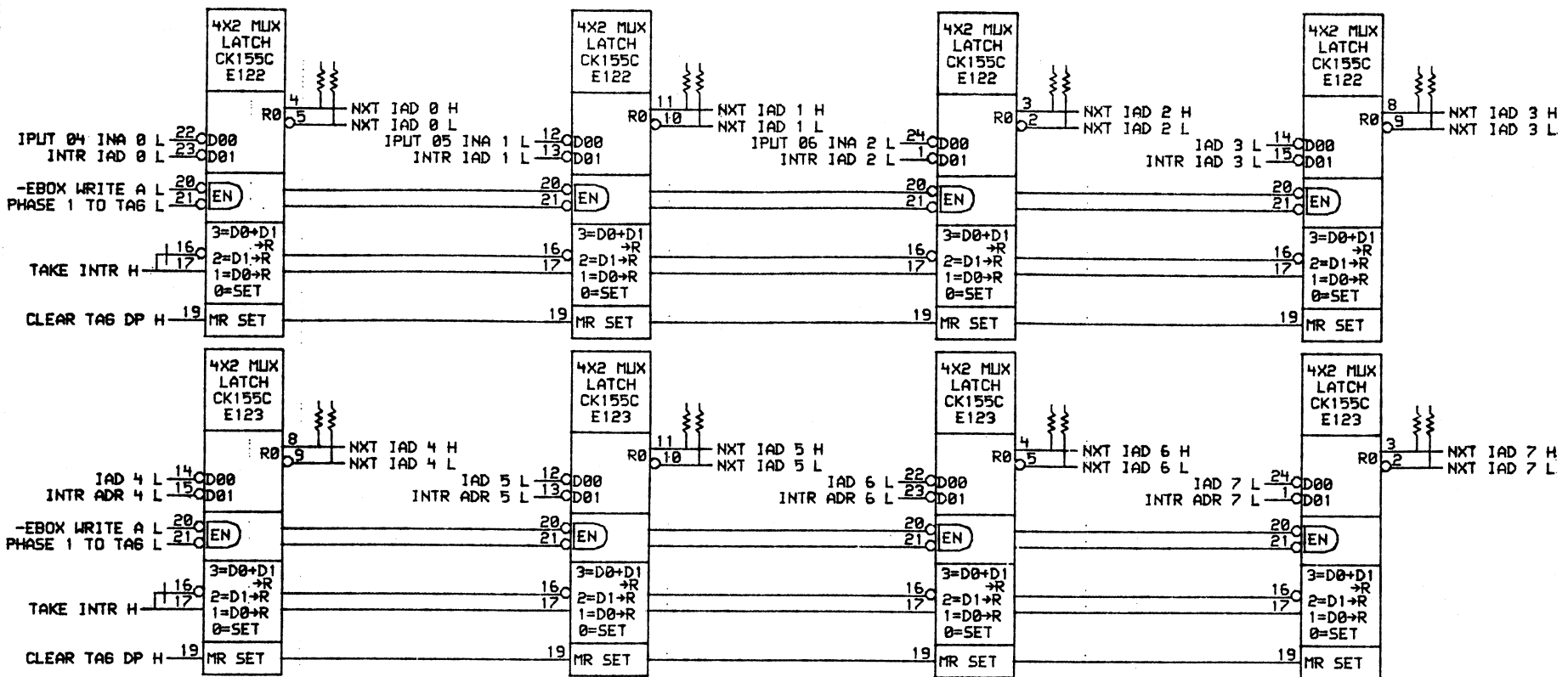
I 5.9 NSJ CLK 0 INPUT H

DRN.	DATE	ENG.	DATE	TITLE: IPUT INTERMEDIATE
CHK'D.	DATE	BOARD LOCATION:	SHEET	24-31
PROJECT: <2000.L0043>ISQE.DRW 106-OCT-82 09:51 NEXT HIGHER ASSEMBLY:				SIZE CODE NUMBER REV.
FIRST USED ON OPTION/MODEL: 2000				D CS L0054-0-ISQE

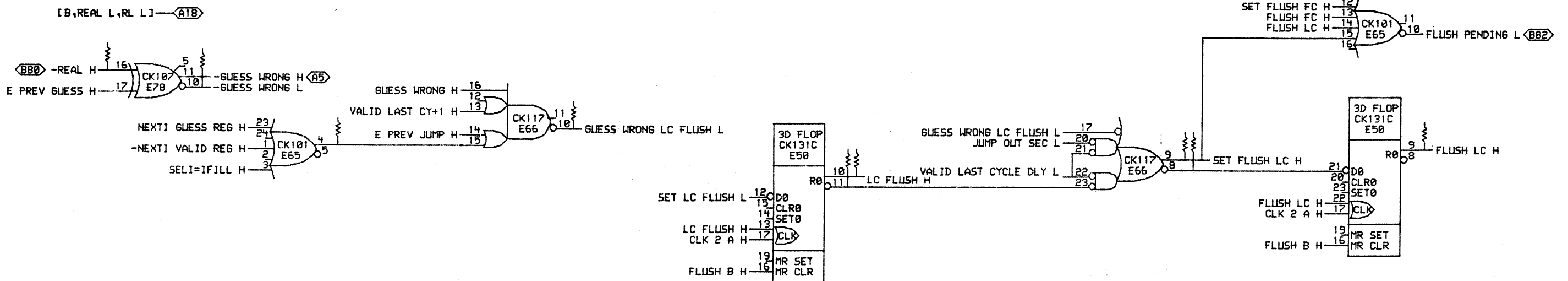
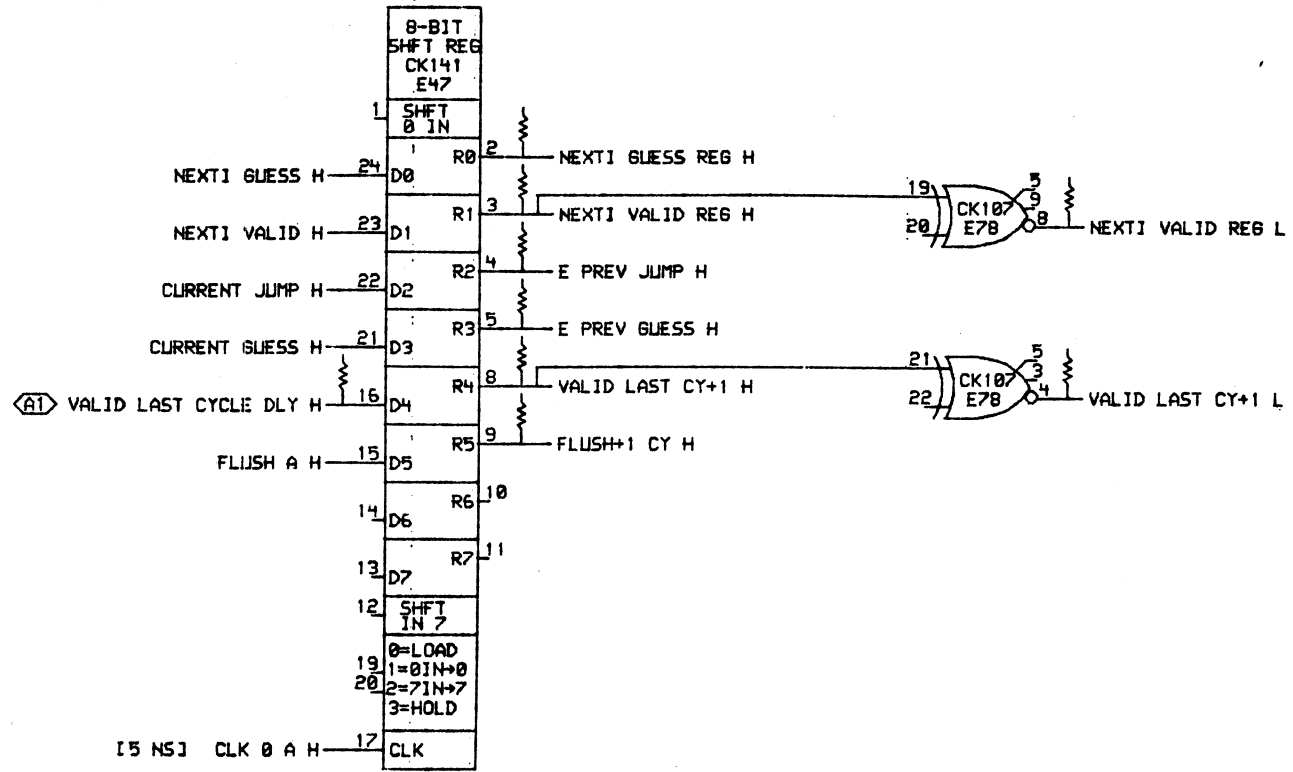
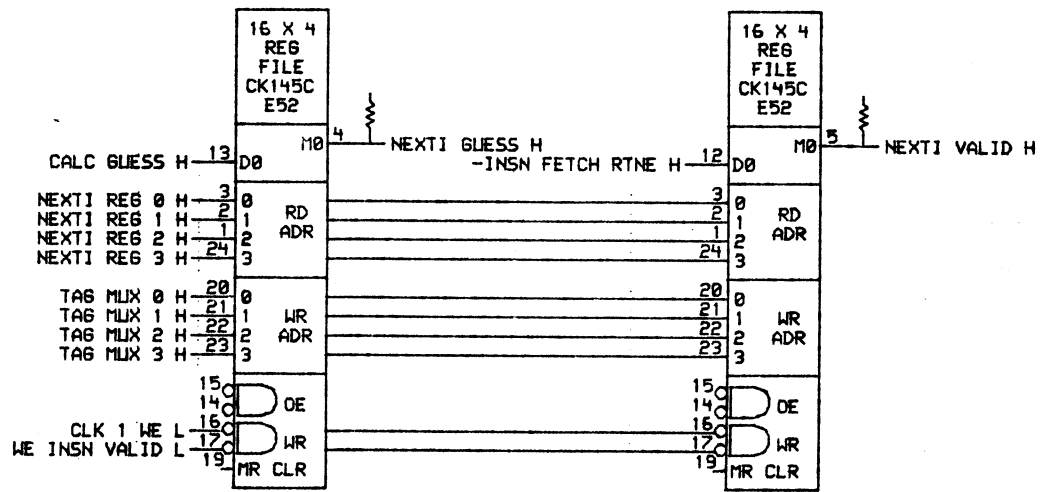
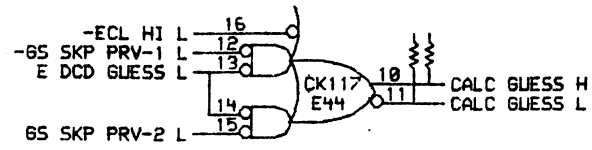
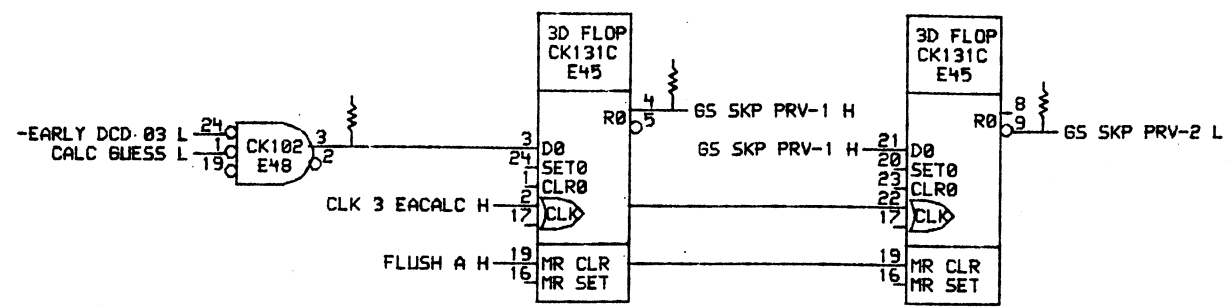




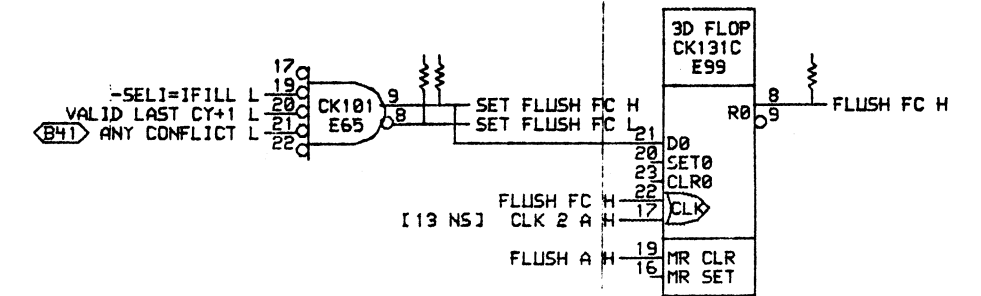
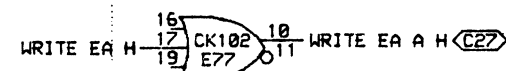
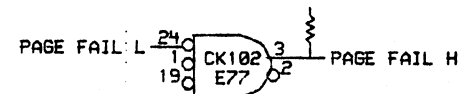
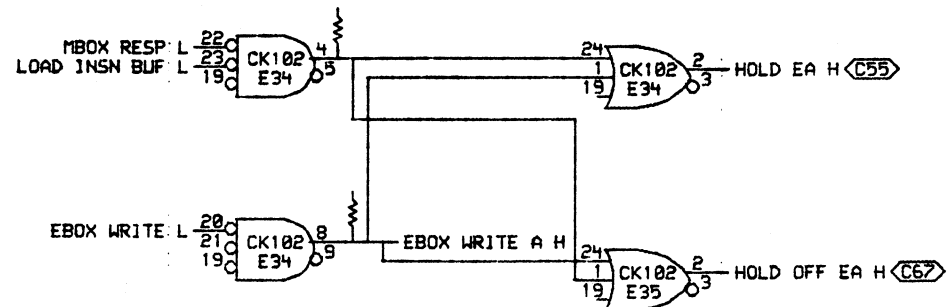
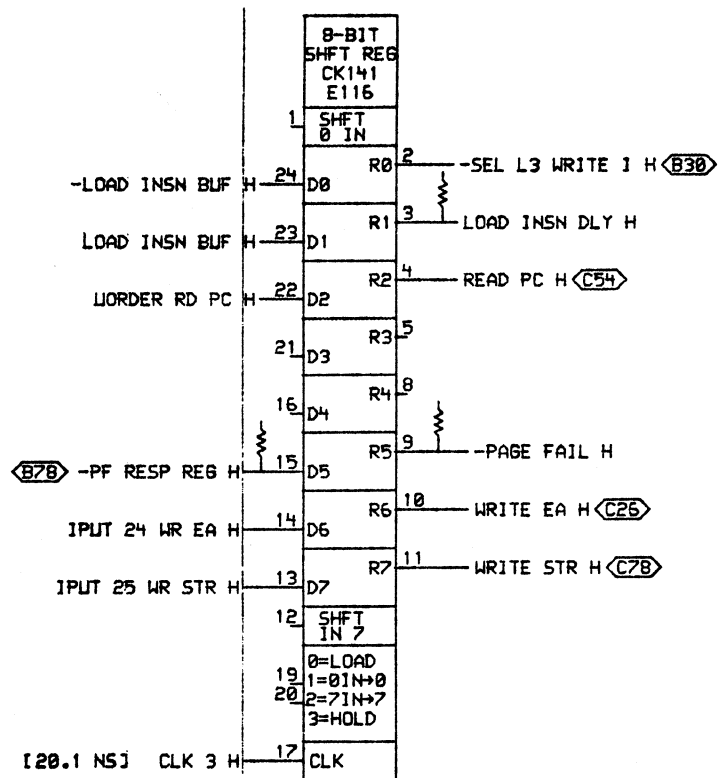
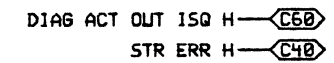
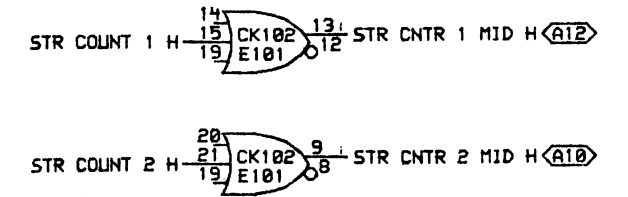
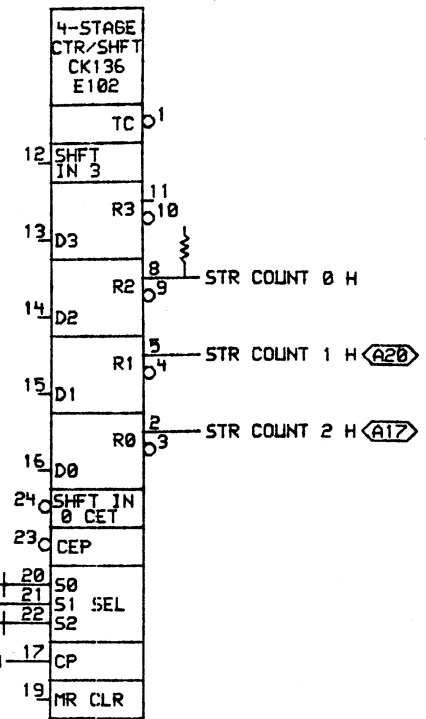
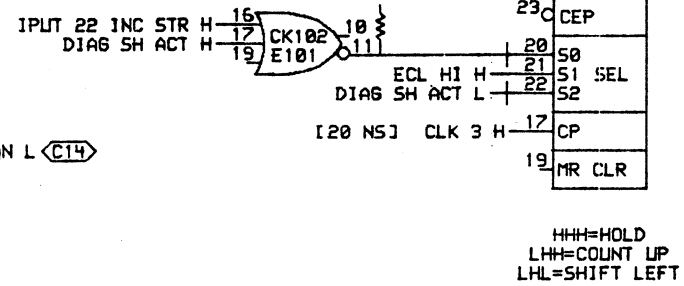
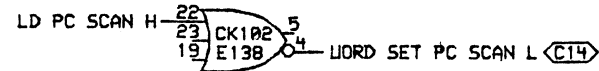
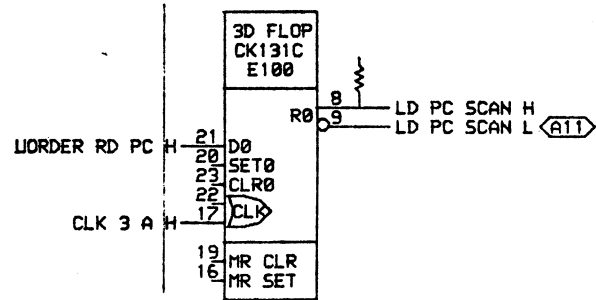
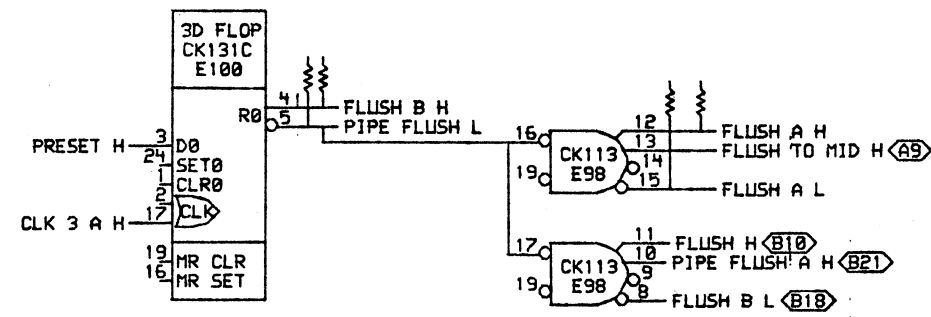
DRN.	DATE	ENG.	DATE	TITLE:	IAD		
CHK'D.	DATE	BOARD LOCATION:			SIZE	CODE	NUMBER
PROTO: <2880.L00*5>1508.DRW 11-OCT-82 12:42				NEXT HIGHER ASSEMBLY:	D	CS	L0054-0-ISQG
FIRST USED ON OPTION/MODEL:							REV.



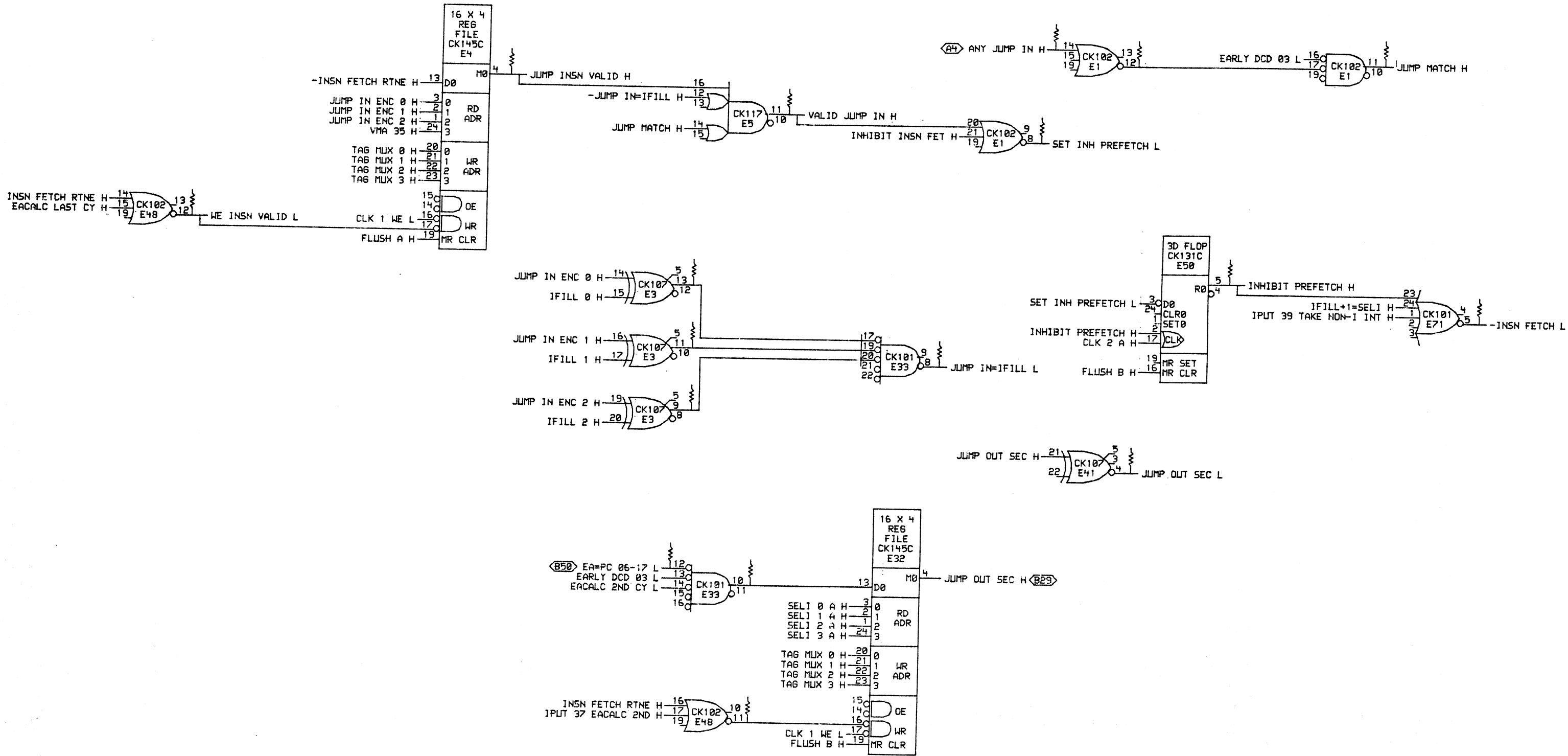
DRN.	DATE	ENG.	DATE	TITLE:	NEXT IAD		
CHK'D.	DATE	BOARD LOCATION:	SHEET	OF	SIZE	CODE	NUMBER
PROTO: L0054-0-150H.DRW 07-OCT-82 15:25 NEXT HIGHER ASSEMBLY:				REV.	D	CS	L0054-0-150H



DRN.	DATE	ENG.	DATE	TITLE: STREAM BUILDING GS
CHK'D.	13-OCT-82	BOARD LOCATION:		GS WRONG
PROTOJ: <2880.L005>ISQI.DRW	DATE	SHEET	OF	
FIRST USED ON OPTION/MODEL:	11-OCT-82 12:45	NEXT HIGHER ASSEMBLY:		
	SIZE	CODE	NUMBER	REV.
	D	CS	L0054-0-ISQI	

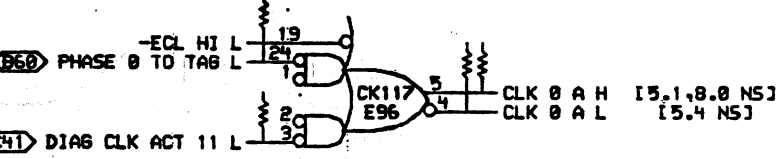


DRN.	DATE	ENG.	DATE	TITLE:
CHK'D.	DATE	BOARD LOCATION:		MISCELLANEOUS
PROTJ: (2000.L0045)ISQJ.DRW	11-OCT-82 12:51	NEXT HIGHER ASSEMBLY:	SIZE	NUMBER
FIRST USED ON OPTION/MODEL:			D	CS
				L0054-0-ISQJ
				REV.

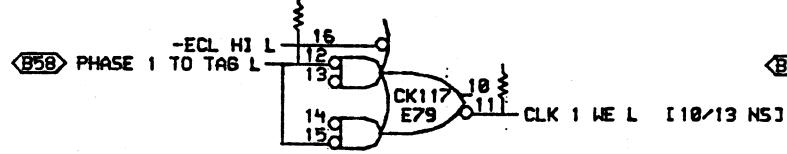


DRN.	DATE	ENG.	DATE	TITLE: VALID JUMP IN
CHK'D.	13-OCT-82			
	DATE	BOARD LOCATION:	SHEET	OF
PROTO: (2880.100*5)150K.DRW 11-OCT-82 12:52				NEXT HIGHER ASSEMBLY:
FIRST USED ON OPTION/MODEL:	SIZE	CODE	NUMBER	REV.
	D	CS	10054-0-150K	

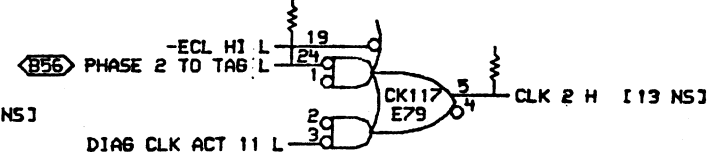
[8.3,8.6,1.1 NS]



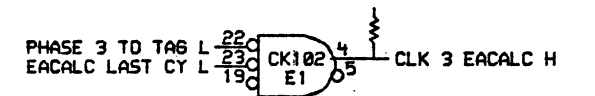
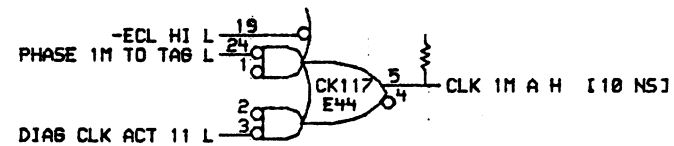
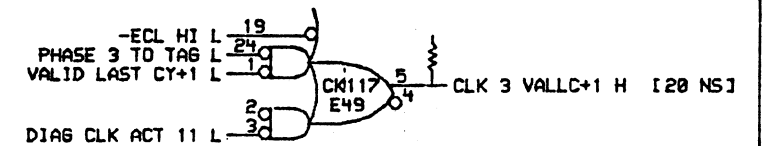
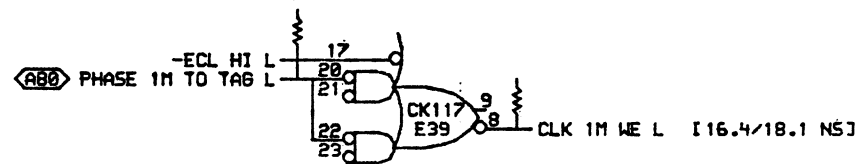
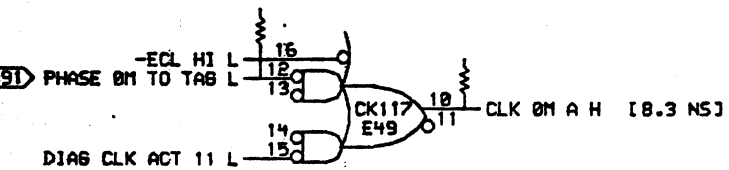
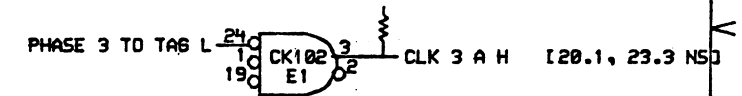
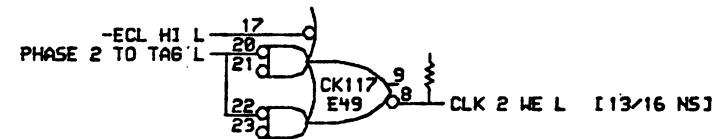
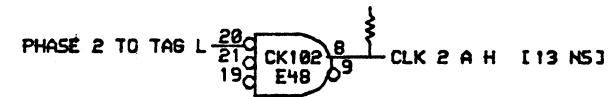
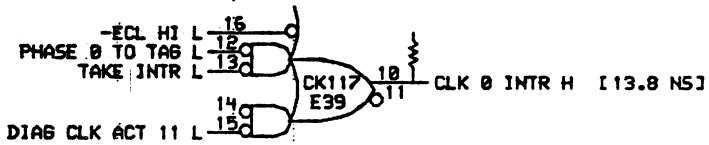
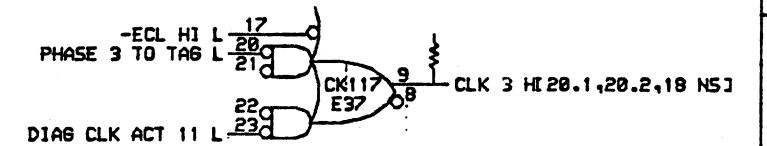
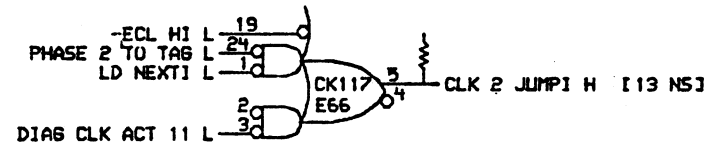
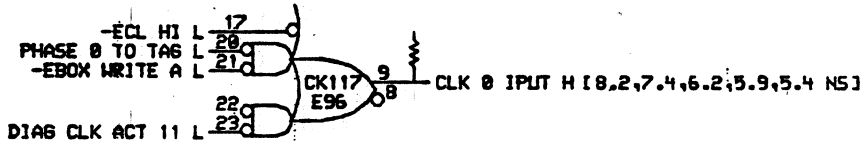
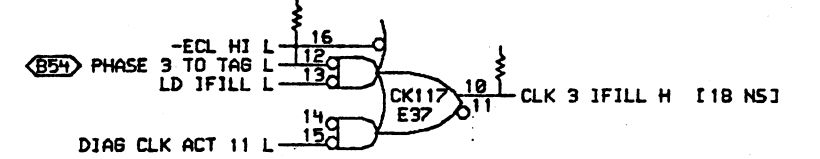
[8.0,8.8 NS]



[13.5,13 NS]

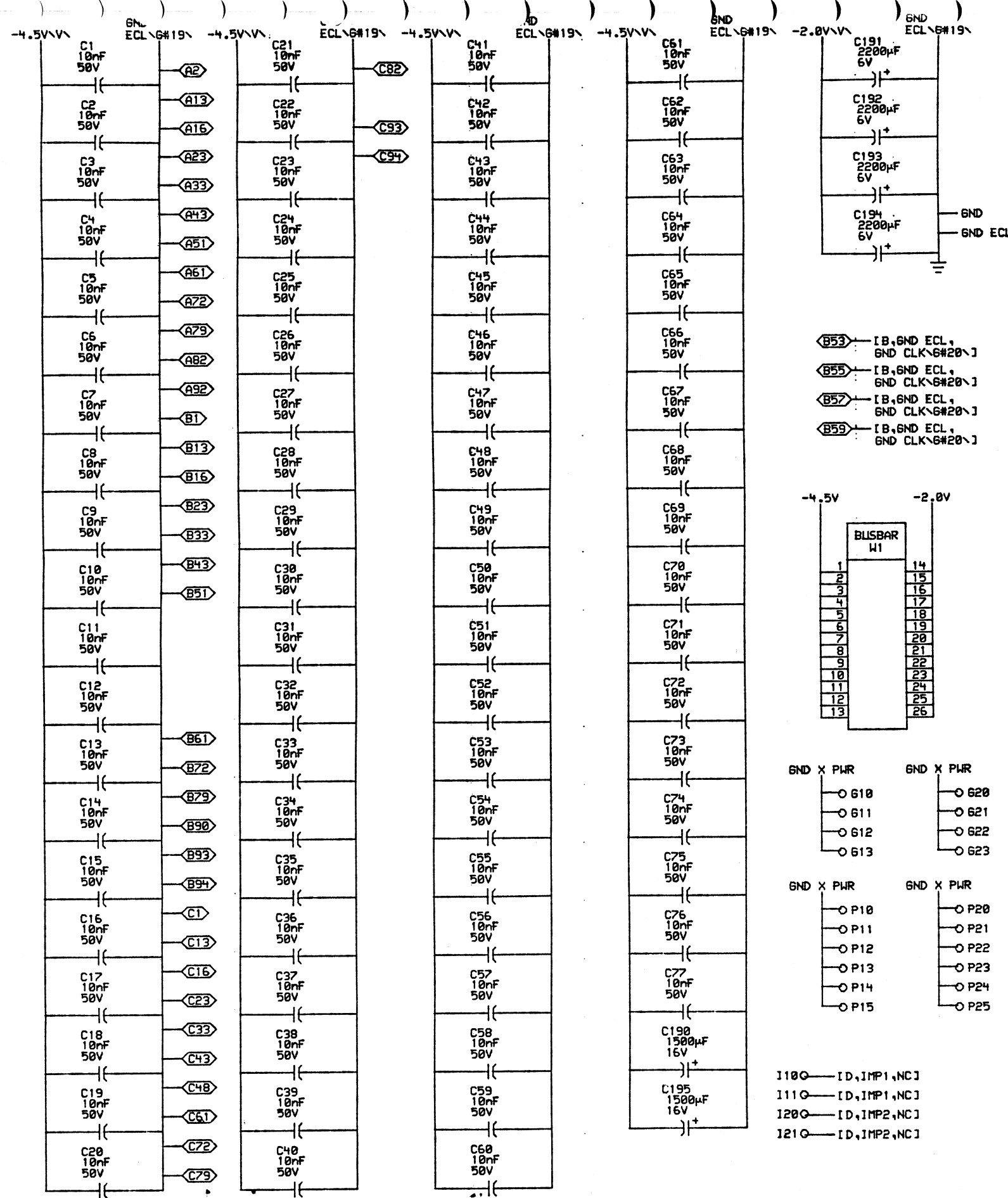


[20 NS,22.6 NS]



[A62] PHASE 3M TO TAG L

DRN.	DATE	ENG.	DATE	TITLE:	CLOCKS	
CHK'D.	DATE	BOARD LOCATION:	SHEET	OF	SIZE	CODE
PROJECT: <2888.L0054> ISQL, DRW 107-OCT-82 15:37 NEXT HIGHER ASSEMBLY:				NUMBER	REV.	
FIRST USED ON OPTION/MODEL:				D	CS	L0054-0-ISQL



- (A7) - NC
- (A8) - NC
- (A31) - NC
- (A32) - NC
- (A52) - NC
- (A53) - NC
- (A54) - NC
- (A67) - NC
- (B4) - NC
- (B67) - NC
- (C21) - NC
- (C29) - NC
- (C32) - NC
- (C34) - NC
- (C46) - NC
- (C49) - NC
- (C50) - NC
- (C51) - NC
- (C52) - NC
- (C53) - NC
- (C56) - NC
- (C58) - NC
- (C62) - NC
- (C66) - NC
- (C68) - NC
- (C70) - NC

SPARE E2

SPARE E14

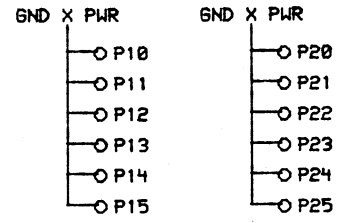
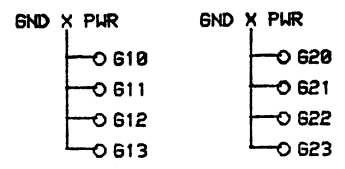
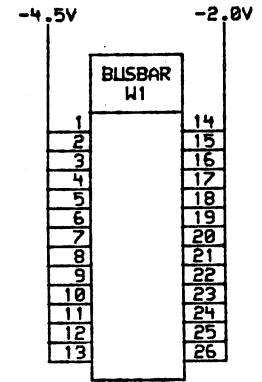
SPARE E15

SPARE E21

SPARE E36

SPARE E51

- (B53) - I B, GND ECL, GND CLK G#20
- (B55) - I B, GND ECL, GND CLK G#20
- (B57) - I B, GND ECL, GND CLK G#20
- (B59) - I B, GND ECL, GND CLK G#20

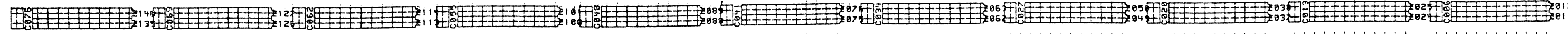


- 110 - [D, IMP1, NC]
- 111 - [D, IMP1, NC]
- 120 - [D, IMP2, NC]
- 121 - [D, IMP2, NC]

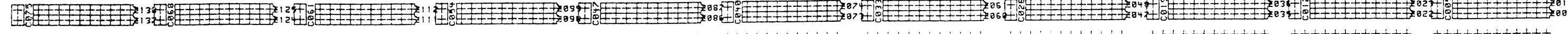
DRN.	DATE	ENG.	DATE	TITLE:
CHK'D.	DATE	BOARD LOCATION:	SHEET 1 OF 1	ISQ POWER & GROUND
PROTO: <2000.L0043>ISQ.DRW 11-OCT-82 12:58 FIRST USED ON OPTION/MODEL: KC10 B-DD-L00??-0				SIZE CODE D CS L0054-0-ISQM
NEXT HIGHER ASSEMBLY:				NUMBER *

VULCAN:<2080.L0054>48TAG1
VULCAN:<2080.L0054>56TAG2
VULCAN:<2080.L0054>45TAG3
VULCAN:<2080.L0054>51TAG4
VULCAN:<2080.L0054>59TAG5
VULCAN:<2080.L0054>45TAG6
VULCAN:<2080.L0054>57TAG7
VULCAN:<2080.L0054>46TAG8
VULCAN:<2080.L0054>49TAG9
VULCAN:<2080.L0054>32TAGA
VULCAN:<2080.L0054>40TAGB
VULCAN:<2080.L0054>32TAGC
VULCAN:<2080.L0054>43TAGD
VULCAN:<2080.L0054>54TAGE
VULCAN:<2080.L0054>49TAGF
VULCAN:<2080.L0054>53TAGG
VULCAN:<2080.L0054>56TAGH
VULCAN:<2080.L0054>56TAGI
VULCAN:<2080.L0054>57TAGJ
VULCAN:<2080.L0054>57TAGK
VULCAN:<2080.L0054>55TAGL
VULCAN:<2080.L0054>56TAGM

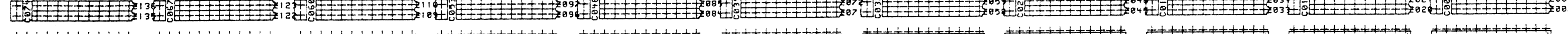
E141	E128	E115	E102	E090	E077	E064	E051	E039	E026	E013
E140	E127	E114	E101	E089	E076	E063	E050	E038	E025	E012



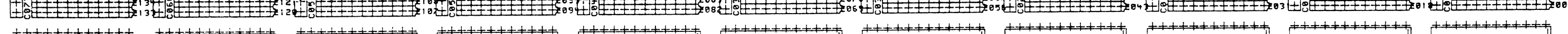
E139	E126	E113	E100	E088	E075	E062	E049	E037	E024	E011
E138	E125	E112	E099	E087	E074	E061	E048	E036	E023	E010



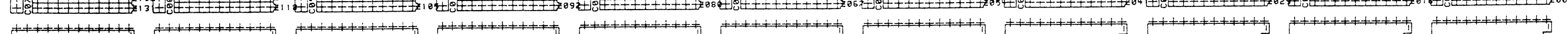
E137	E124	E111	E098	E086	E073	E060	E047	E035	E022	E009
E136	E123	E110	E097	E085	E072	E059	E046	E034	E021	E008



E135	E122	E109	E096	E084	E071	E058	E045	E033	E020	E007
E134	E121	E108	E095	E083	E070	E057	E044	E032	E019	E006

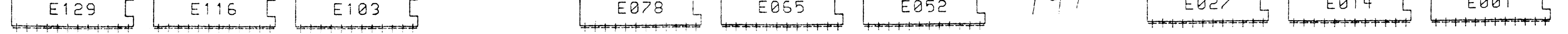


E133	E120	E107	E094	E082	E069	E056	E043	E031	E018	E005
E132	E119	E106	E093	E081	E068	E055	E042	E030	E017	E004



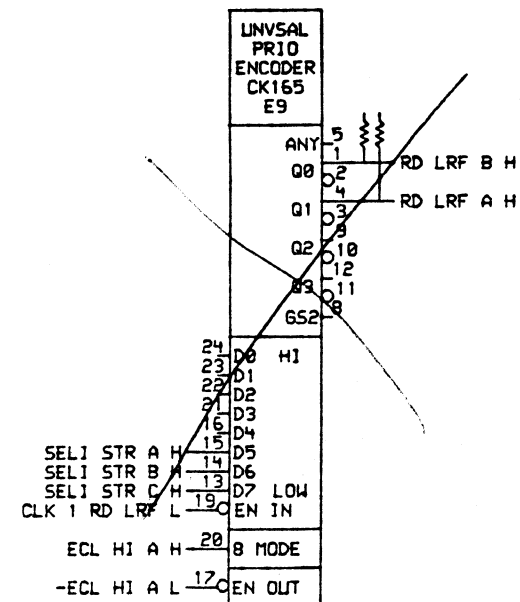
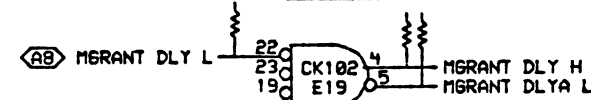
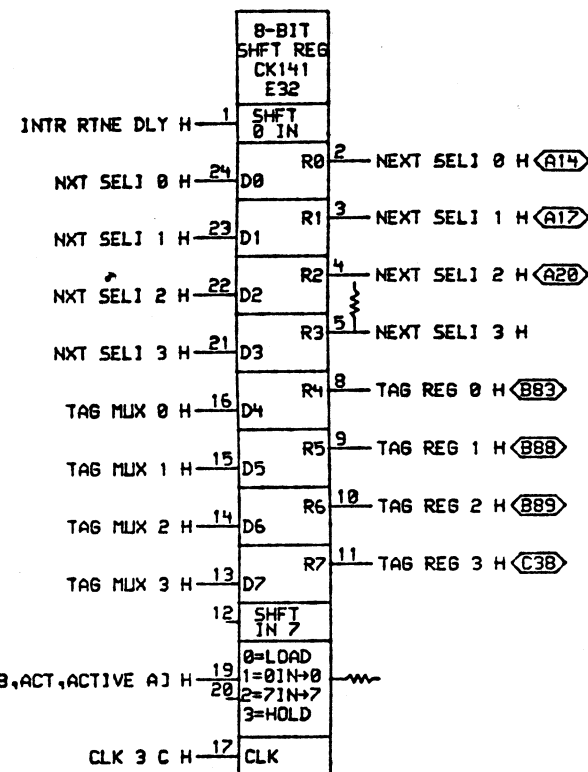
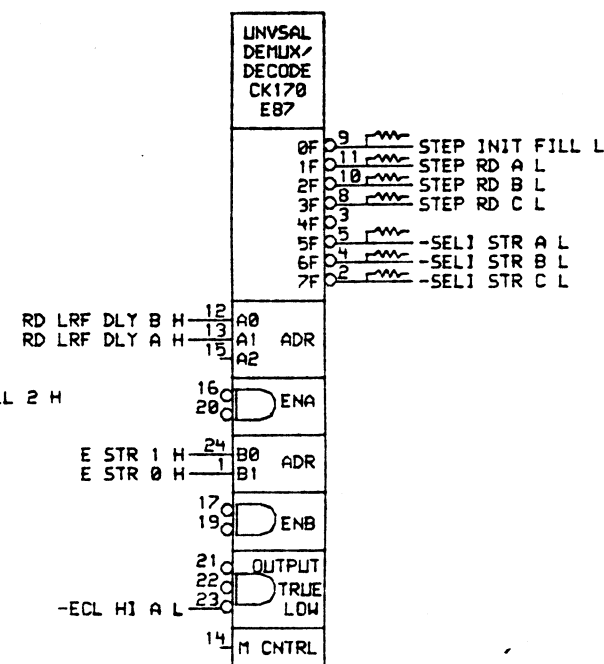
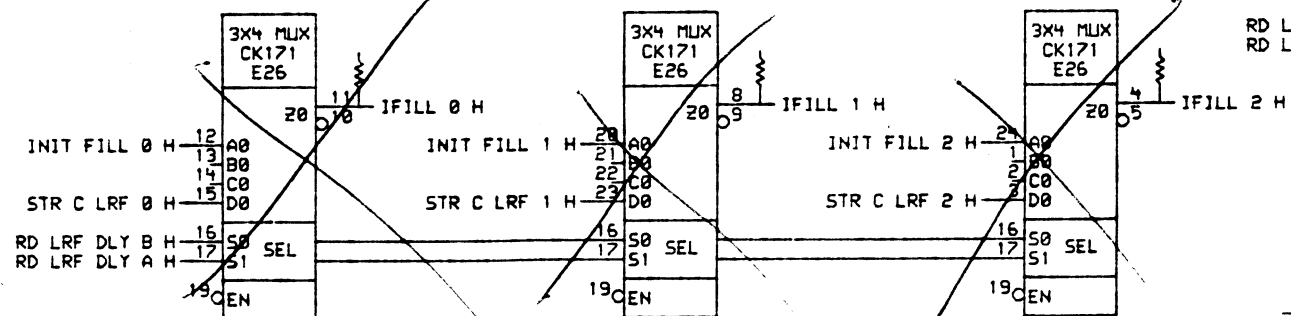
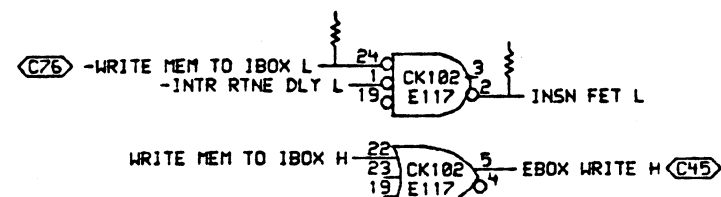
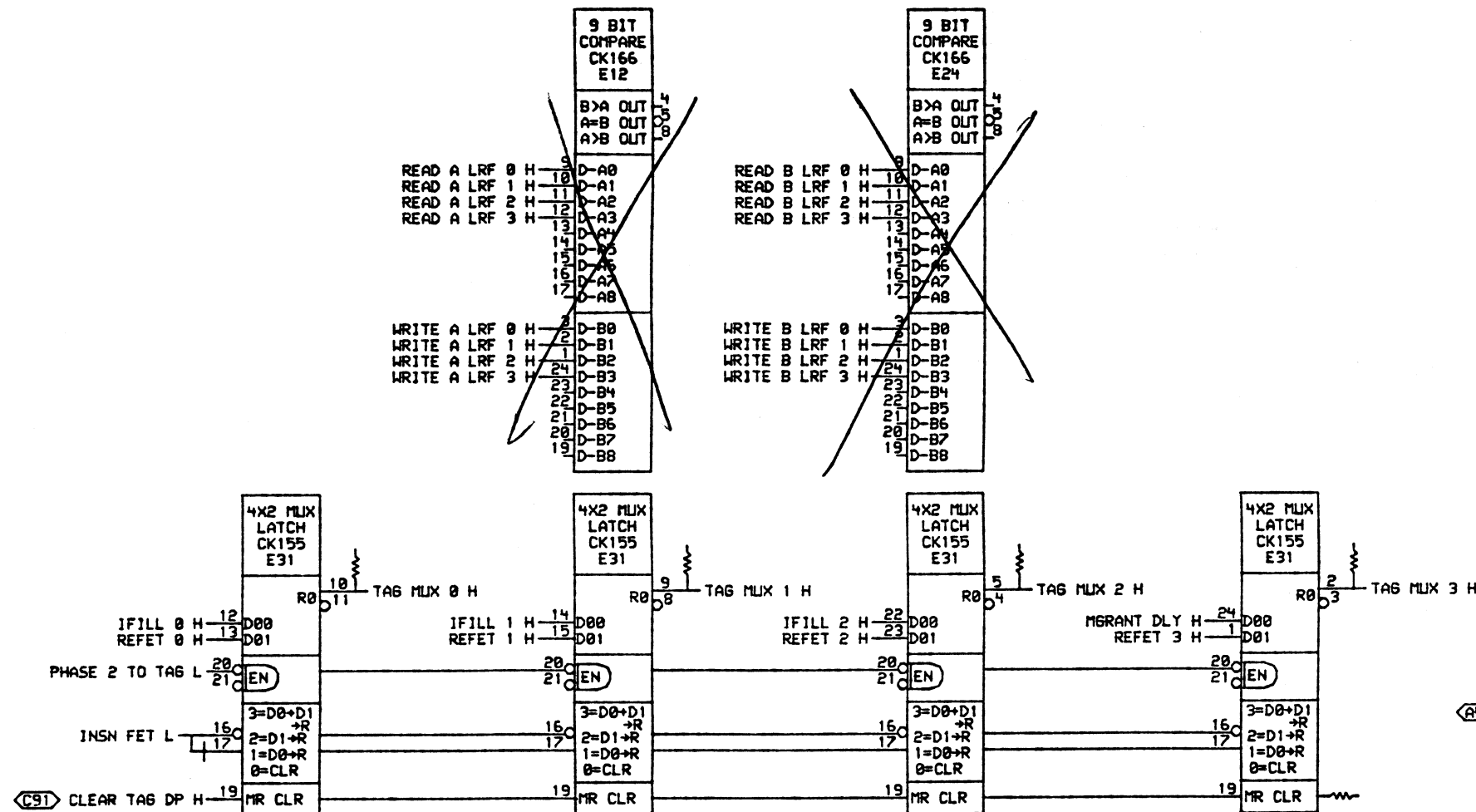
E131	E118	E105	E092	E080	E067	E054	E041	E029	E016	E003
+ [C095] + + [C094] + + [C093] + + [C092] + + [C091] + + [C090] +										

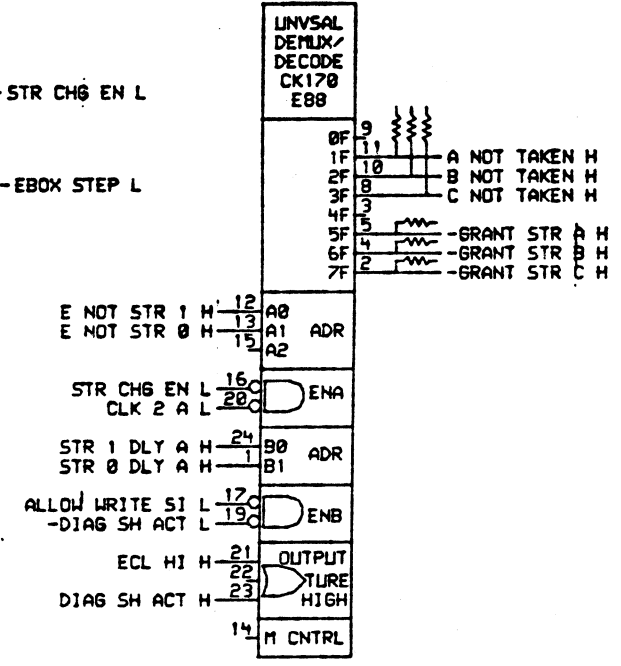
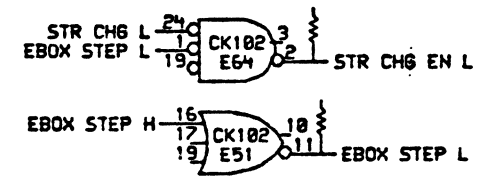
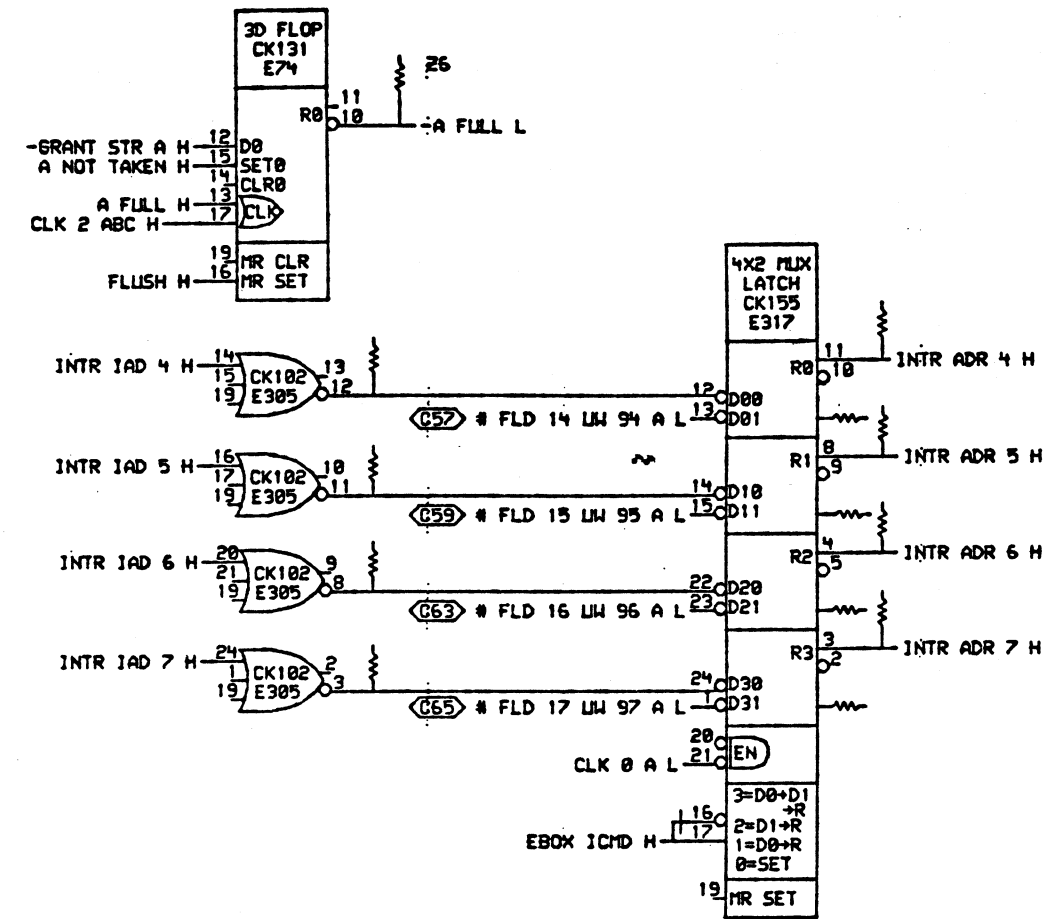
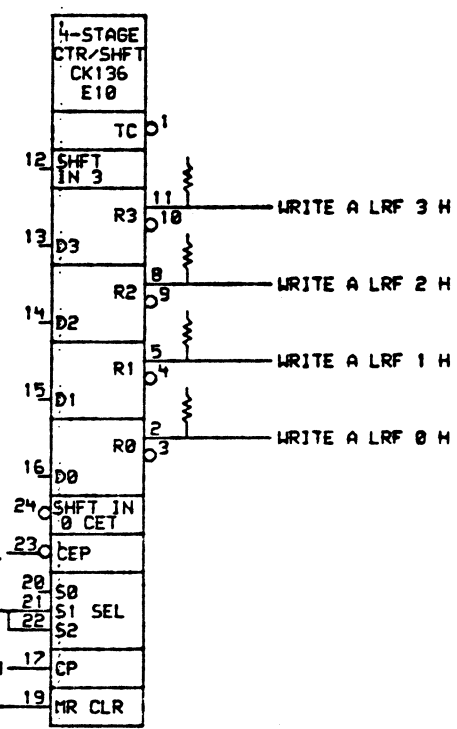
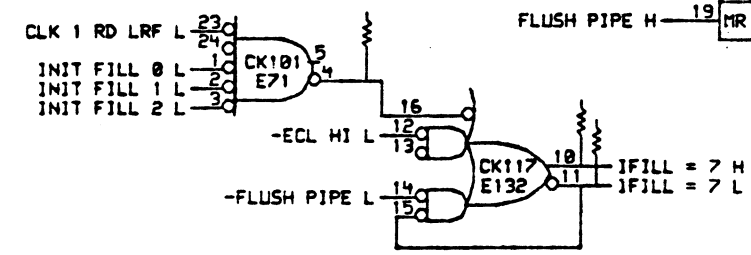
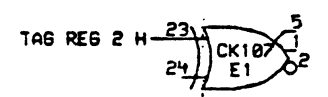
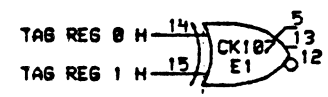
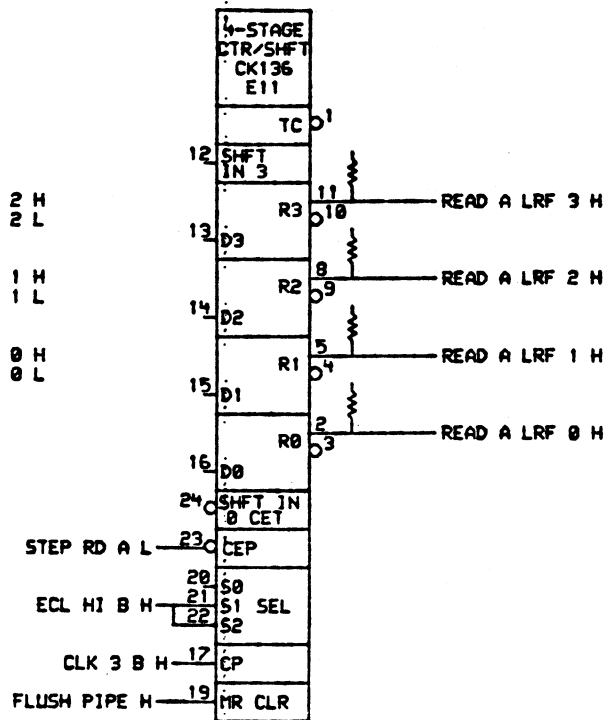
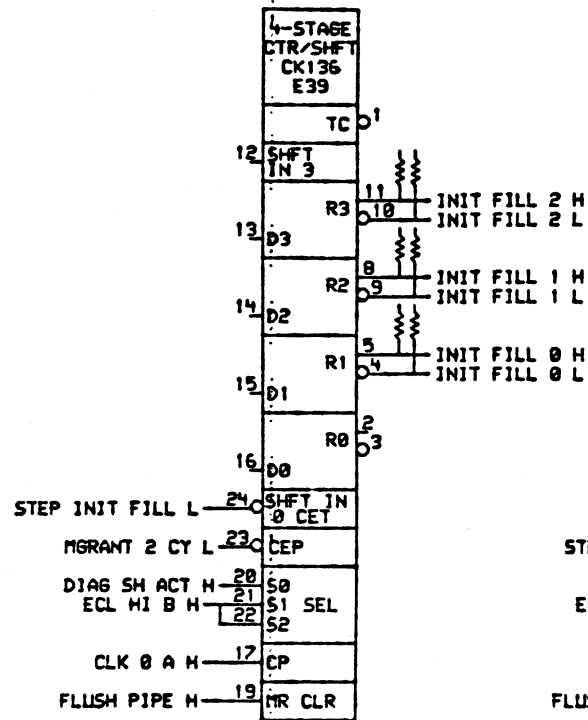
E130	E117	E104	E091	E079	E066	E053	E040	E028	E015	E002
E129	E116	E103	E090	E078	E065	E052	E039	E027	E014	E001



TAG

"141"

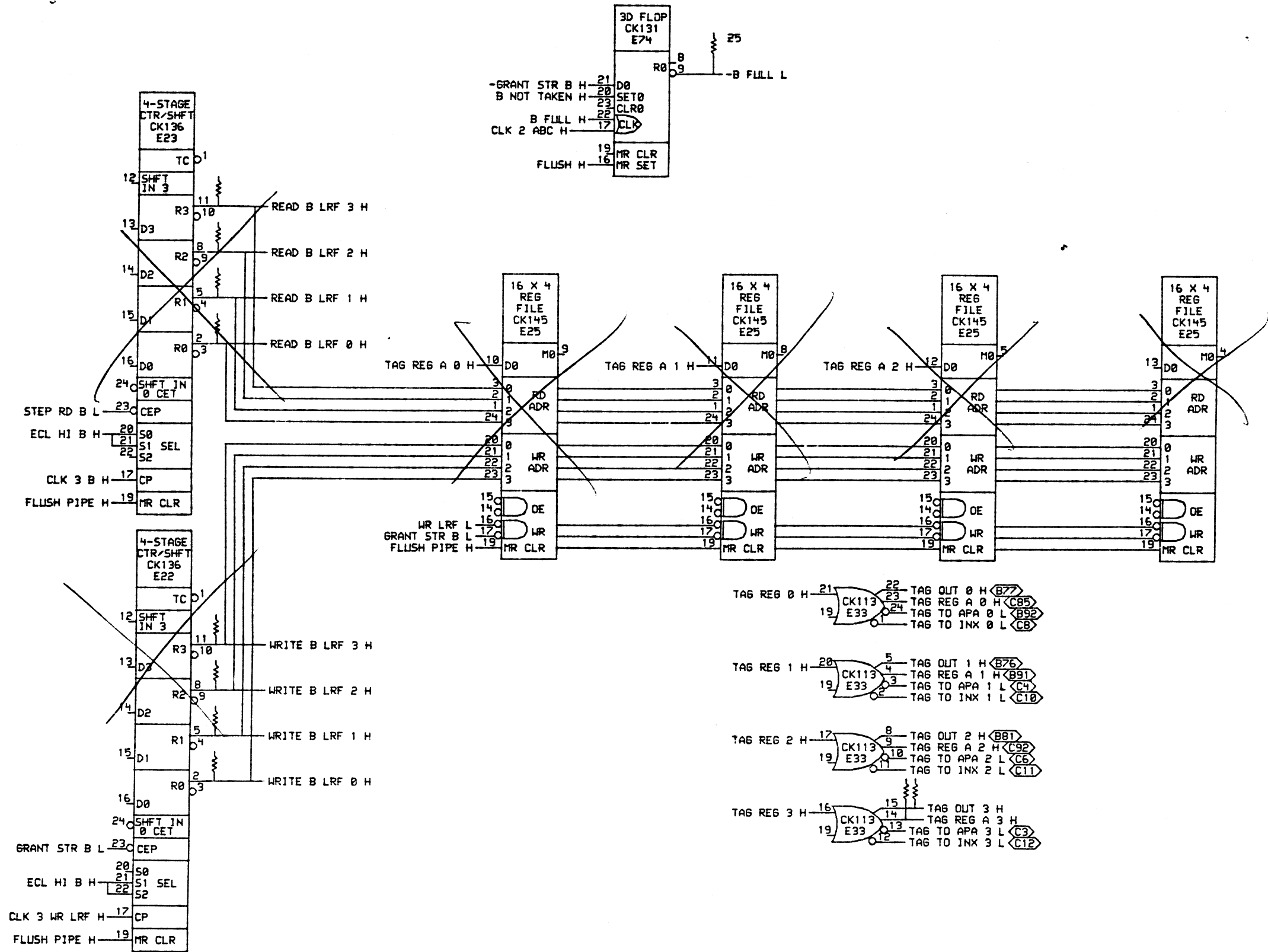




THIS DRAWING AND SPECIFICATIONS ARE THE PROPERTY OF DIGITAL EQUIPMENT CORPORATION AND SHALL NOT BE REPRODUCED OR COPIED OR USED IN WHOLE OR IN PART AS THE BASIS FOR THE MANUFACTURE OR SALE OF ITEMS WITHOUT WRITTEN PERMISSION. COPYRIGHT © 1982. DIGITAL EQUIPMENT CORPORATION

REVISIONS	
CHK	CHANGE NO. REV

digital	DESIGNED BY: J. J. J.	DATE: 22-JUL-82	ENG.:	DATE:	TITLE: LRF STR A
	CHK'D:	DATE:	BOARD LOCATION:	SHEET:	
VIL D001 (2080) L0054-0-TAG2 DRU 21-JUL-82 19:10 NEXT HIGHER ASSEMBLY:			SIZE CODE: D CS	NUMBER: L0054-0-TAG2	REV.:



THIS DRAWING AND SPECIFICATIONS ARE THE PROPERTY OF DIGITAL EQUIPMENT CORPORATION AND SHALL NOT BE REPRODUCED OR COPIED OR USED IN WHOLE OR IN PART AS THE BASIS FOR THE MANUFACTURE OR SALE OF ITEMS WITHOUT WRITTEN PERMISSION. COPYRIGHT © 1982. DIGITAL EQUIPMENT CORPORATION

REVISIONS	
CHK	CHANGE NO. REV.

DATE	ENG.	DATE	TITLE:
11-APR-82			LRF STR B
DATE	BOARD LOCATION:	SHEET OF	
09-APR-82 22:08		NEXT HIGHER ASSEMBLY:	
FIRST USED ON OPTION/MODEL:	SIZE	CODE	NUMBER
	D	CS	L0054-0-TAG3

digital *J. J. J.* *Johny*

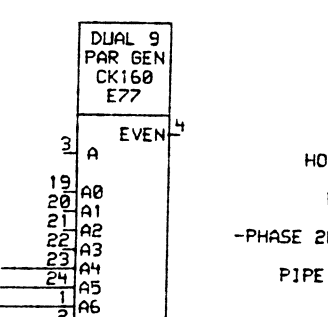
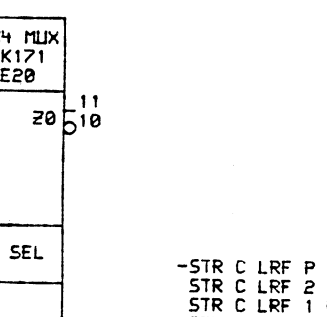
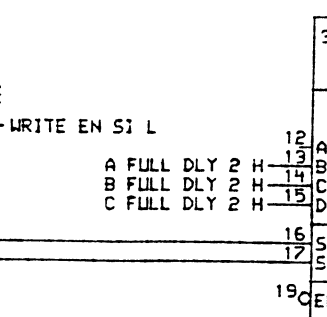
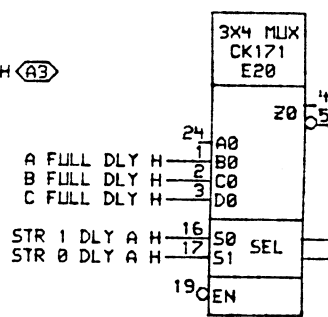
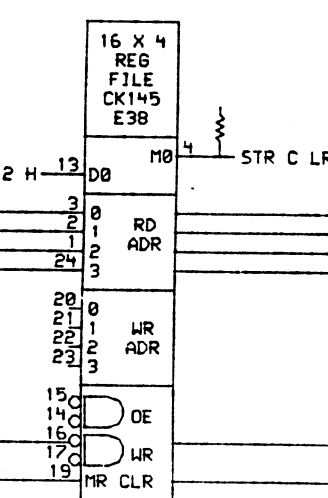
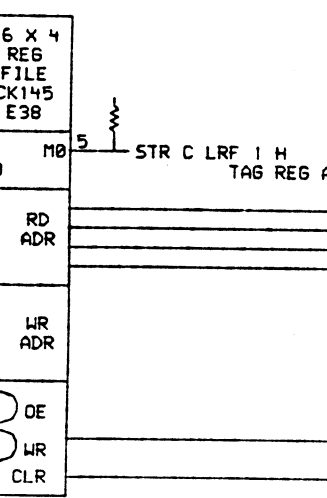
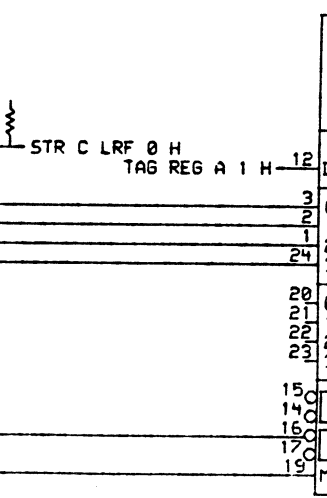
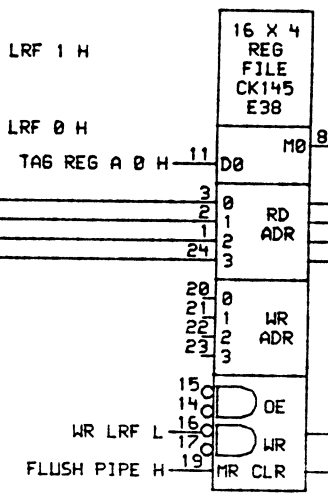
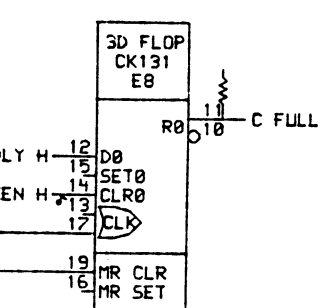
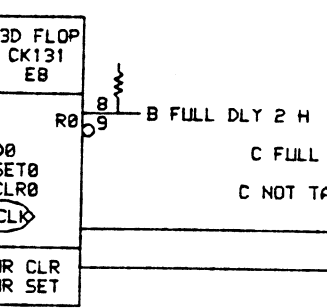
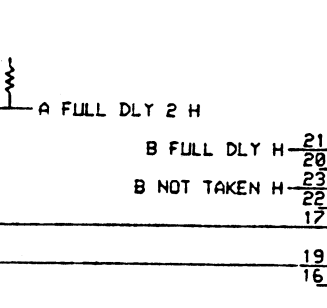
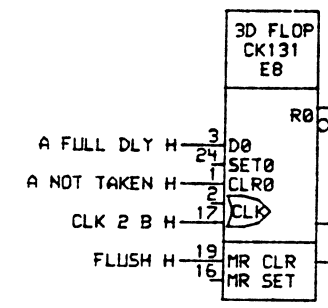
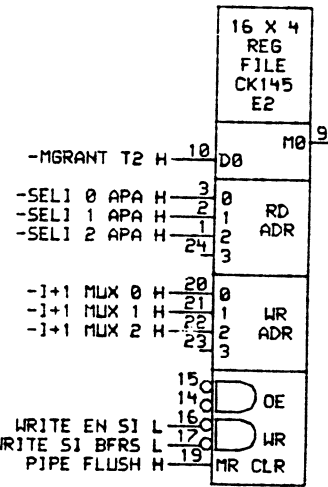
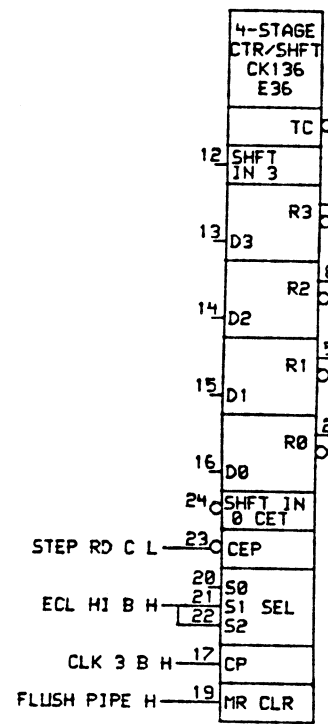
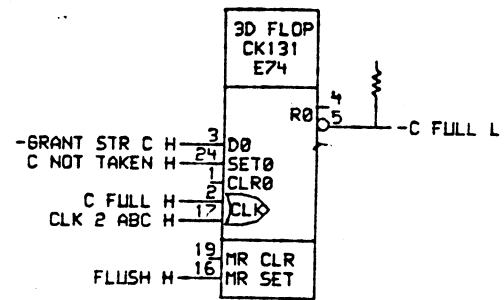
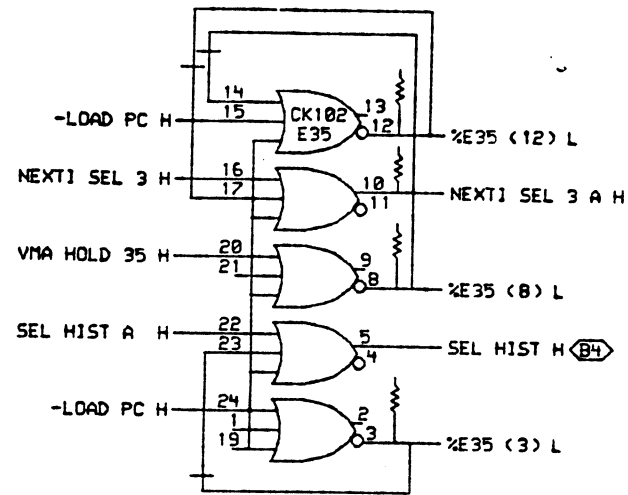
DATE 11-APR-82 ENG. DATE 09-APR-82 22:08

BOARD LOCATION: SHEET OF

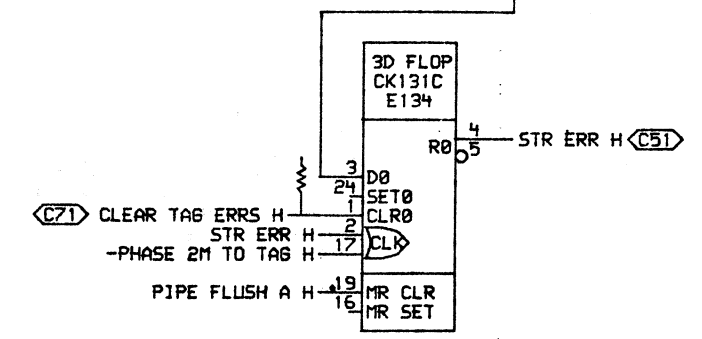
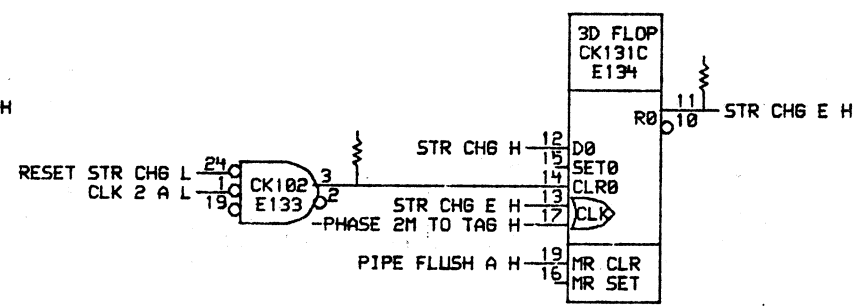
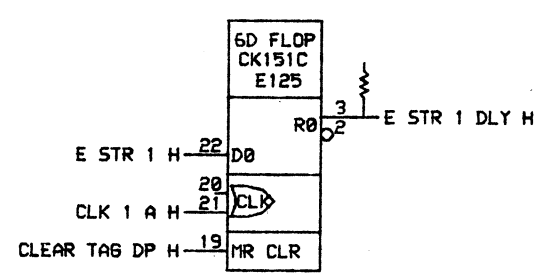
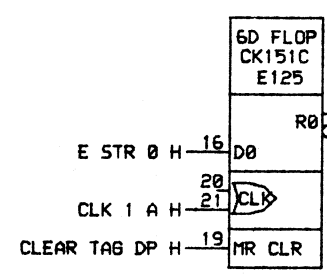
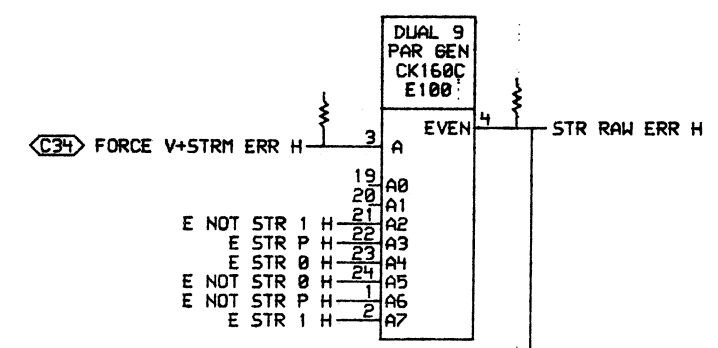
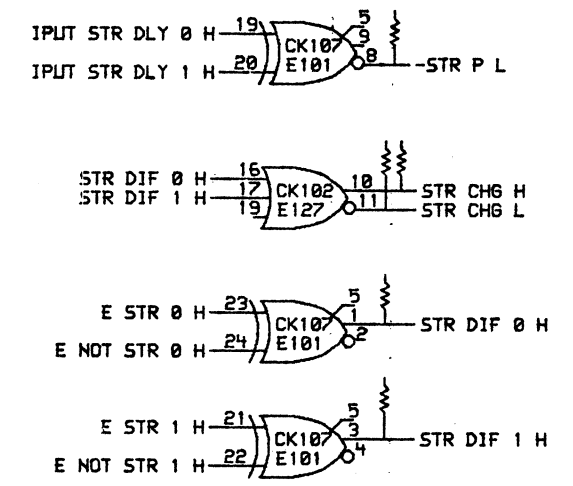
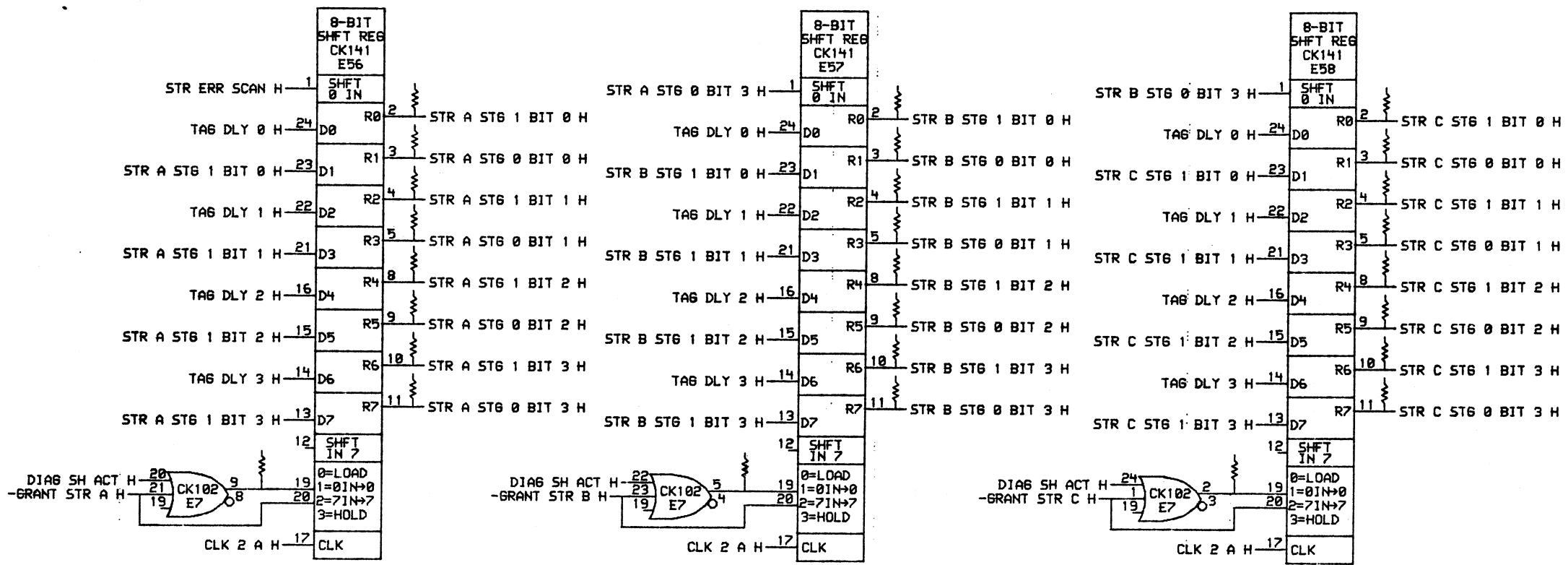
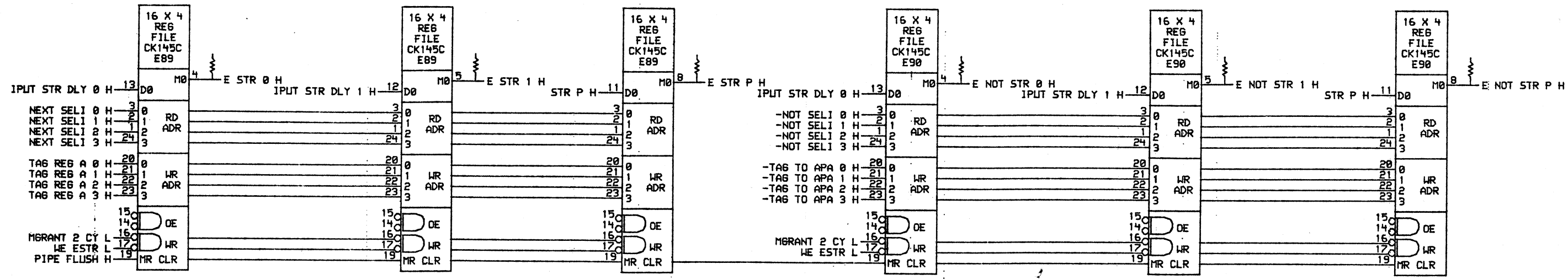
NEXT HIGHER ASSEMBLY:

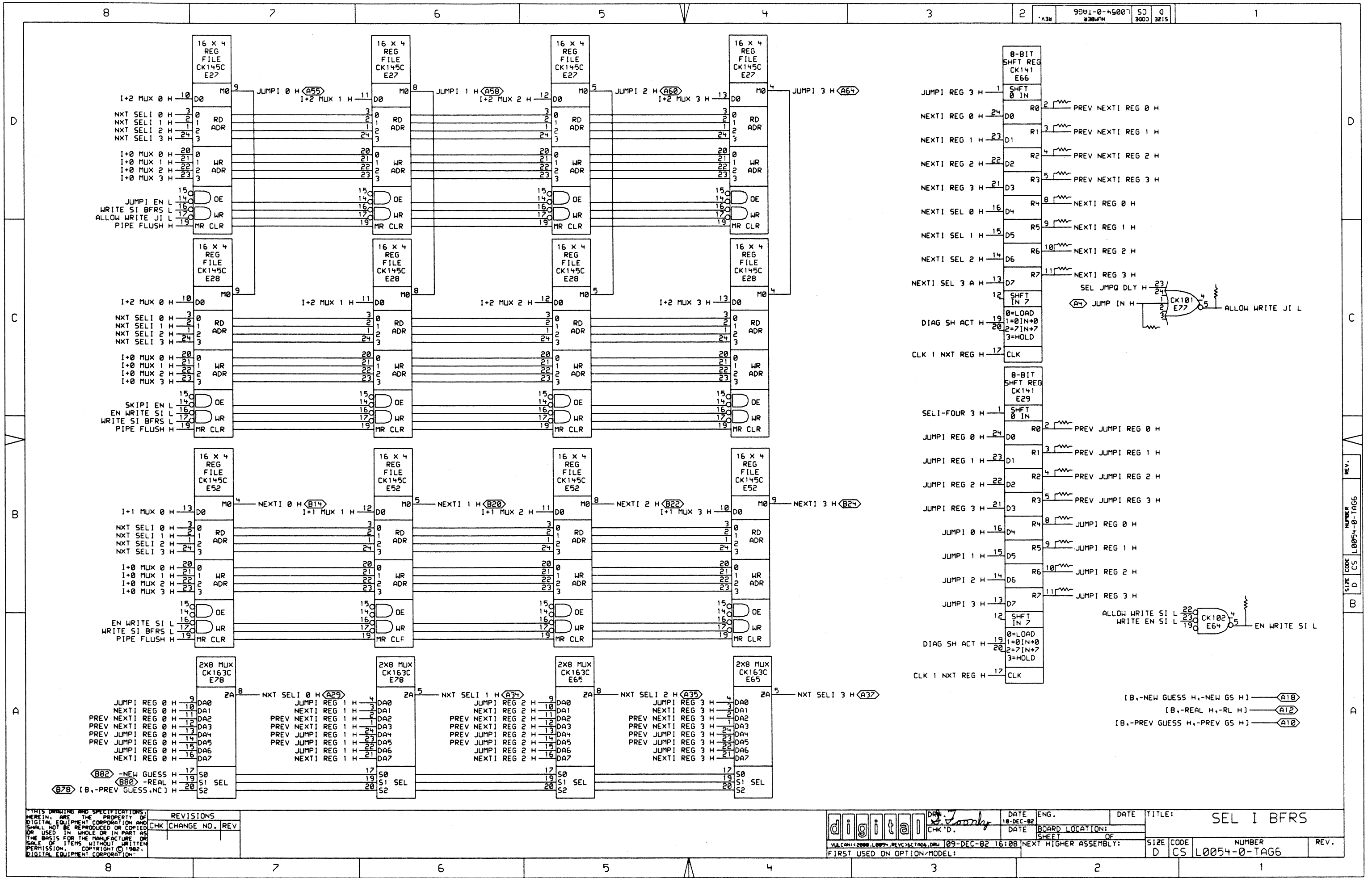
SIZE CODE NUMBER REV. D CS L0054-0-TAG3

REV. NUMBER ALPHABETICALLY L0054-0-TAG3



DRN.	DATE	ENG.	DATE	TITLE:	LRF STR C		
CHK'D.	DATE	BOARD LOCATION:	SHEET	OF	SIZE	CODE	NUMBER
FIRST USED ON OPTION/MODEL:				REV.	D	CS	L0054-0-TAG4





9901-0-45007 CS D
 NUMBER CODE SIZE
 0321

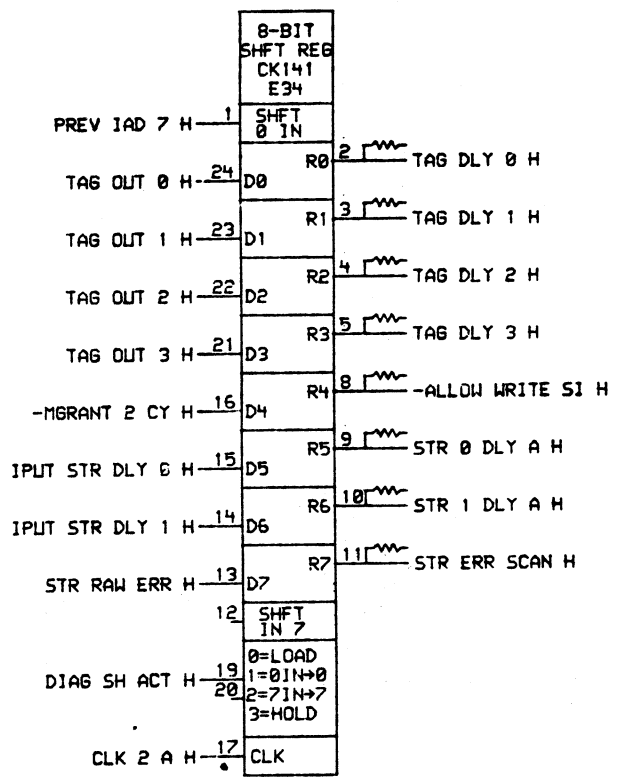
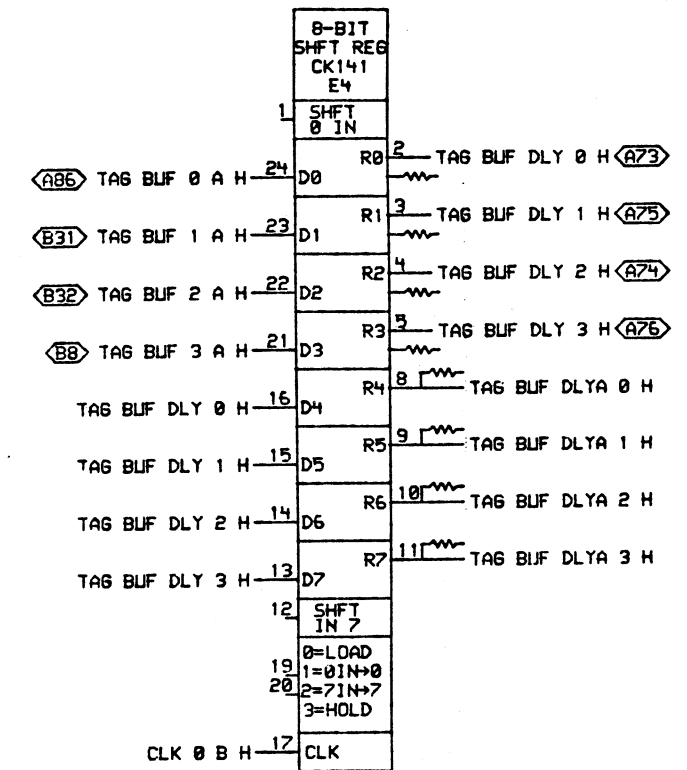
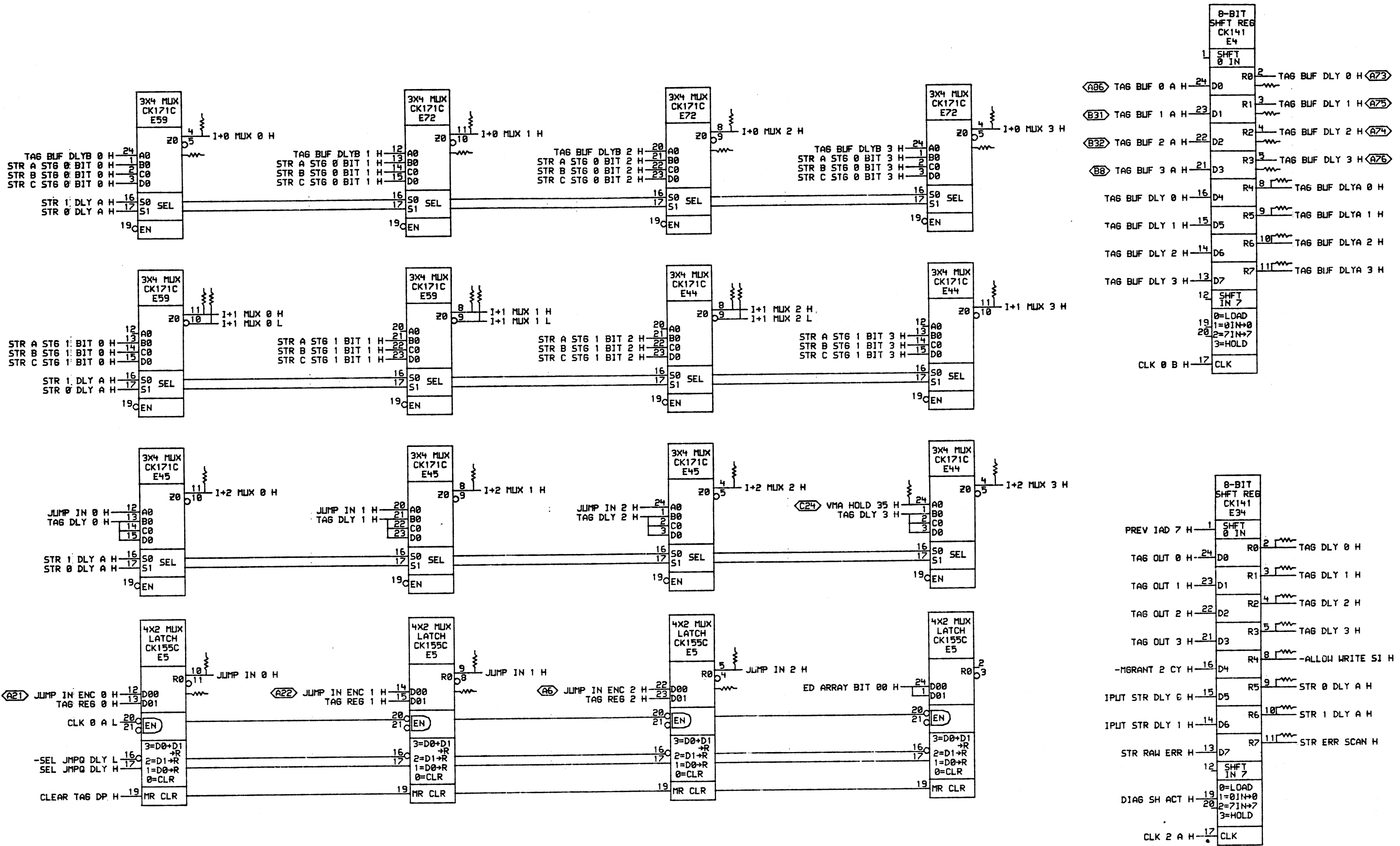
REV.
 NUMBER
 L0054-0-TAG6
 CS
 D
 B

THIS DRAWING AND SPECIFICATIONS
 HEREIN ARE THE PROPERTY OF
 DIGITAL EQUIPMENT CORPORATION AND
 SHALL NOT BE REPRODUCED OR COPIED
 OR USED IN WHOLE OR IN PART AS
 THE BASIS FOR THE MANUFACTURE OR
 SALE OF ITEMS WITHOUT WRITTEN
 PERMISSION. COPYRIGHT © 1982,
 DIGITAL EQUIPMENT CORPORATION.

REVISIONS	CHK	CHANGE NO.	REV

digit@l
 DATE 10-DEC-82
 DATE 10-DEC-82
 BOARD LOCATION:
 SHEET OF
 NEXT HIGHER ASSEMBLY:

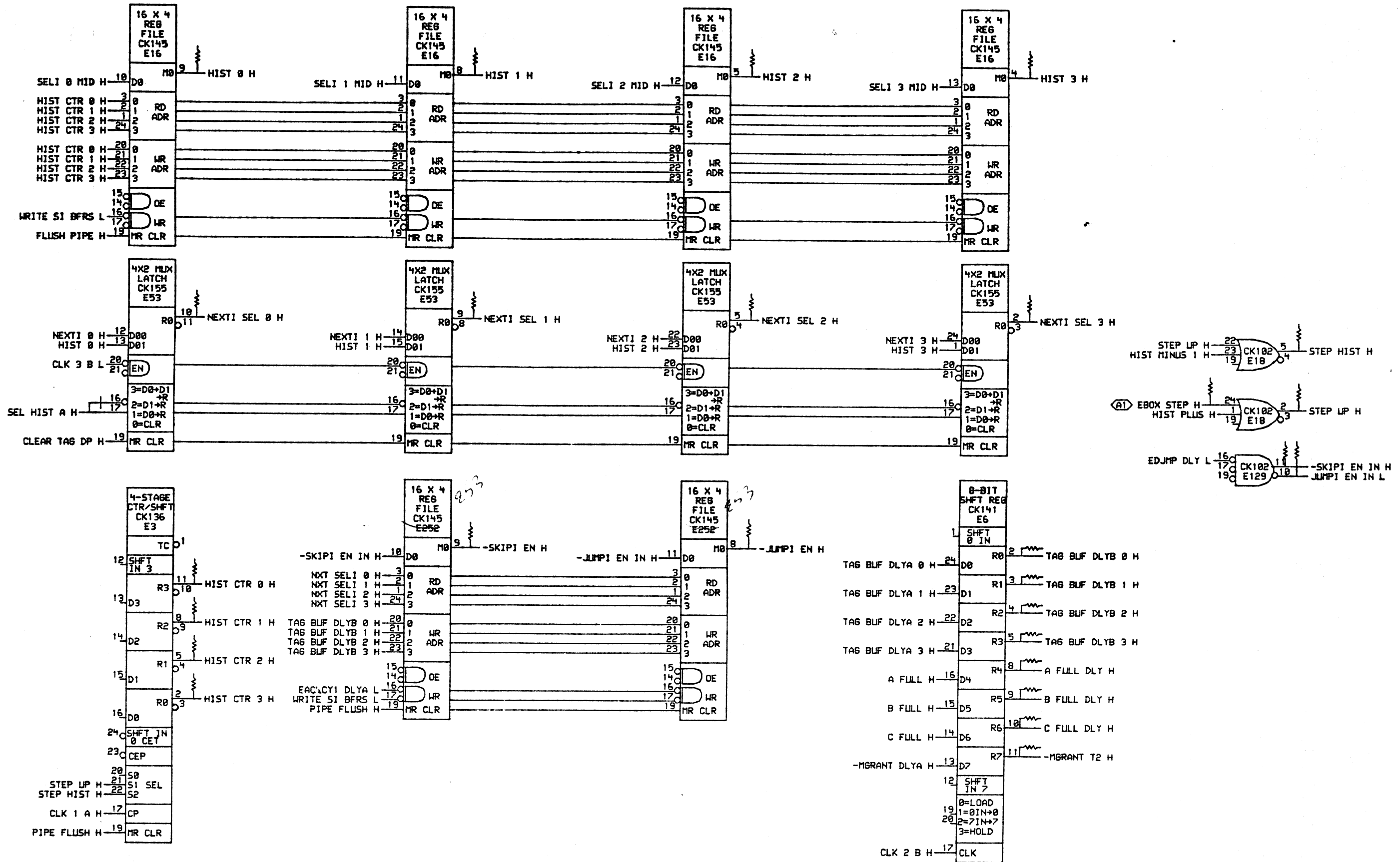
TITLE: SEL I BFRS
 SIZE CODE NUMBER REV.
 D CS L0054-0-TAG6



THIS DRAWING AND SPECIFICATIONS ARE THE PROPERTY OF DIGITAL EQUIPMENT CORPORATION AND SHALL NOT BE REPRODUCED OR COPIED OR USED IN WHOLE OR IN PART AS THE BASIS FOR THE MANUFACTURE OR SALE OF ITEMS WITHOUT WRITTEN PERMISSION. COPYRIGHT © 1982, DIGITAL EQUIPMENT CORPORATION.

REVISIONS		
CHK	CHANGE NO.	REV

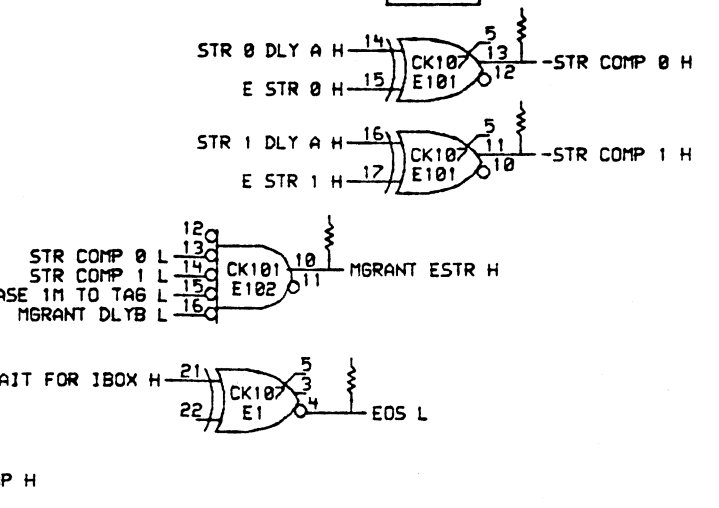
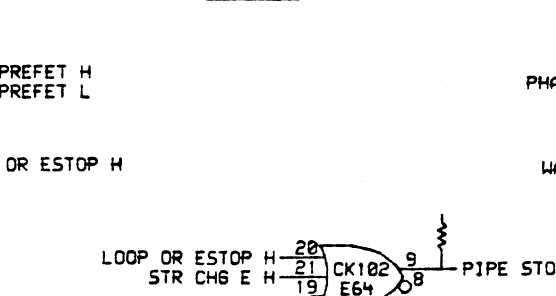
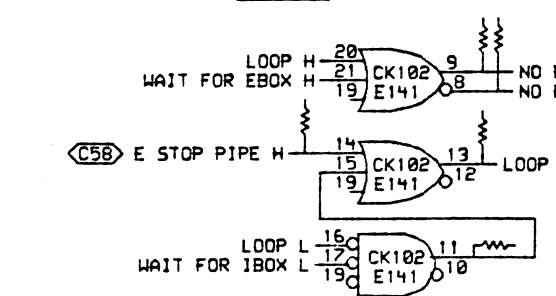
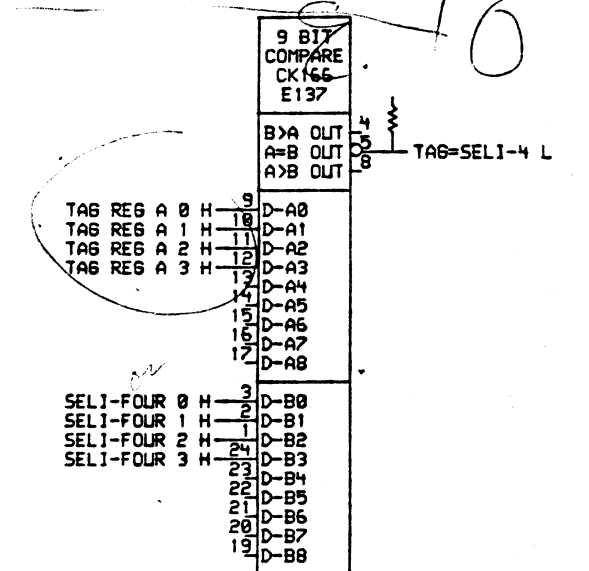
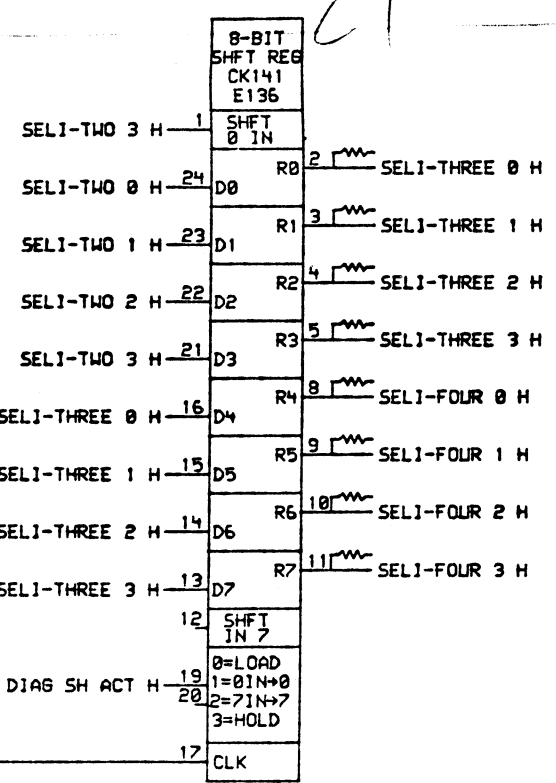
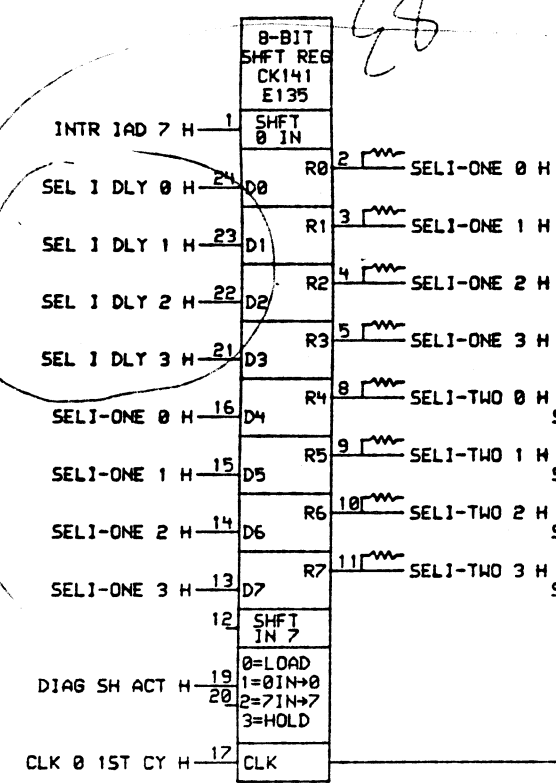
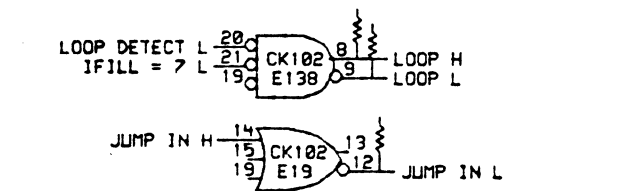
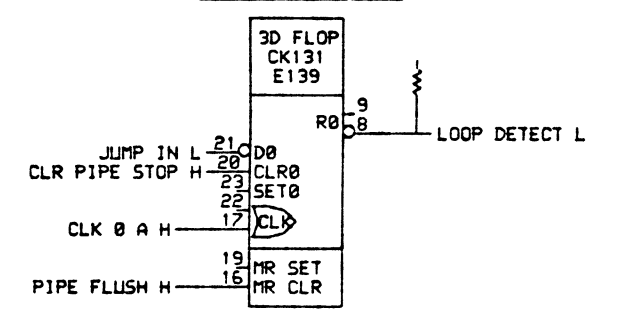
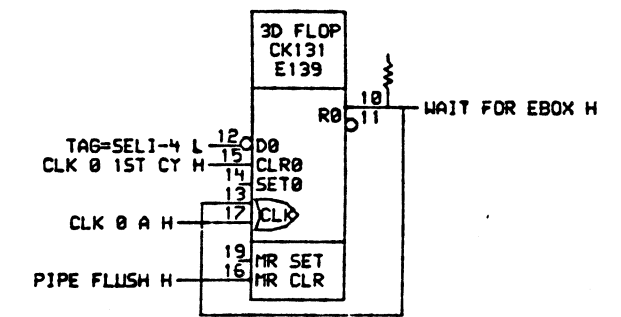
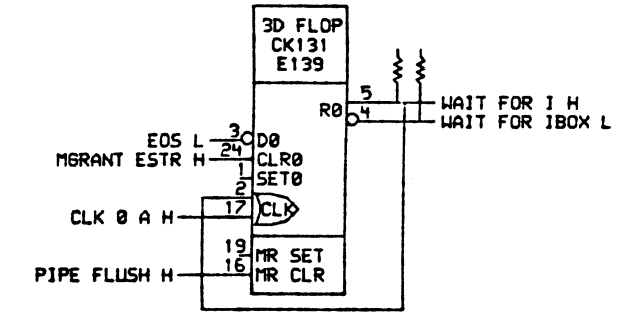
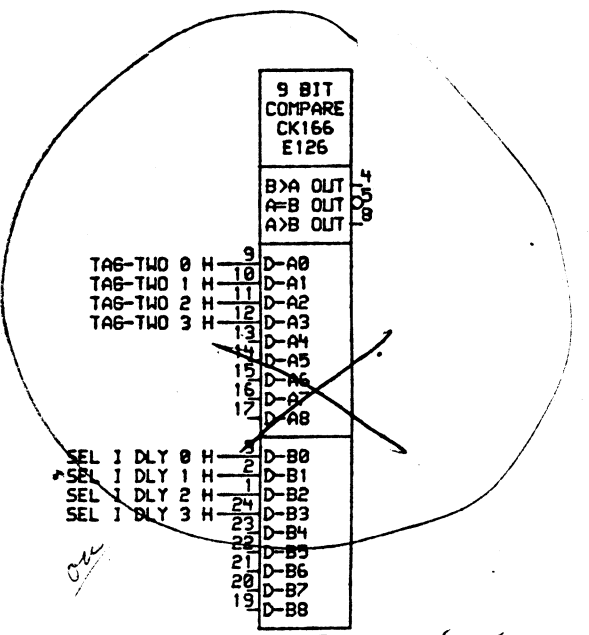
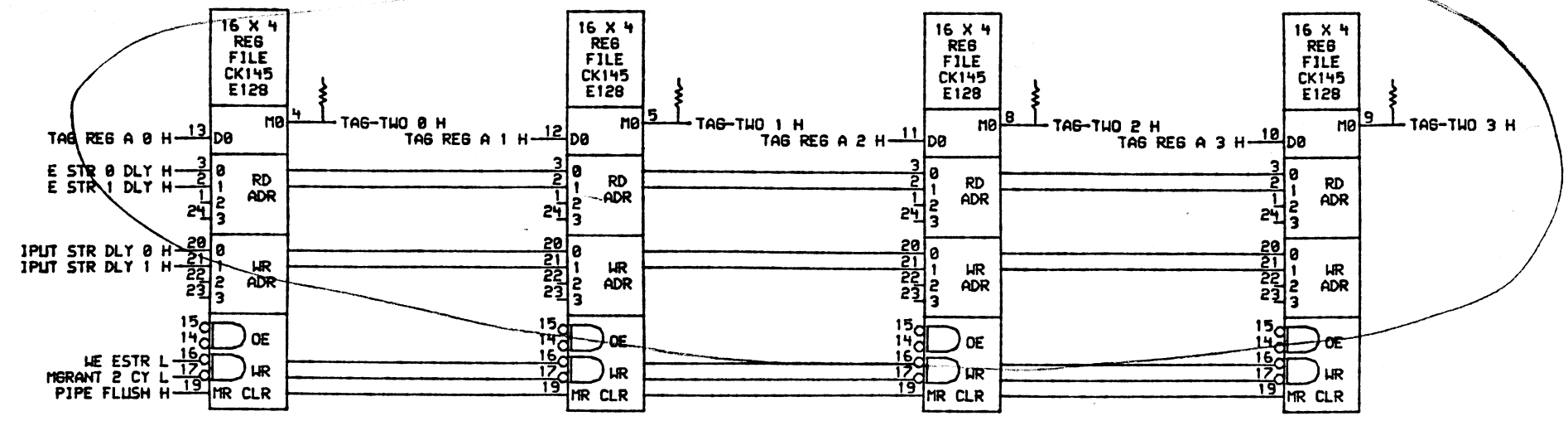
digital	DATE	ENG.	DATE	TITLE: I+0,1,2 MUX
	27-AUG-82			
V.L. CAN: <2888.1.0024> 1571627.DRW		DATE	BOARD LOCATION:	SIZE CODE
26-AUG-82 10:26		DATE	SHEET	D CS
FIRST USED ON OPTION/MODEL:		NEXT HIGHER ASSEMBLY:		NUMBER
				L0054-0-TAG7
				REV.



THIS DRAWING AND SPECIFICATIONS ARE THE PROPERTY OF DIGITAL EQUIPMENT CORPORATION AND SHALL NOT BE REPRODUCED OR COPIED OR USED IN WHOLE OR IN PART AS THE BASIS FOR THE MANUFACTURE OR SALE OF ITEMS WITHOUT WRITTEN PERMISSION. COPYRIGHT © 1982 DIGITAL EQUIPMENT CORPORATION

REVISIONS	
CHK	CHANGE NO. REV

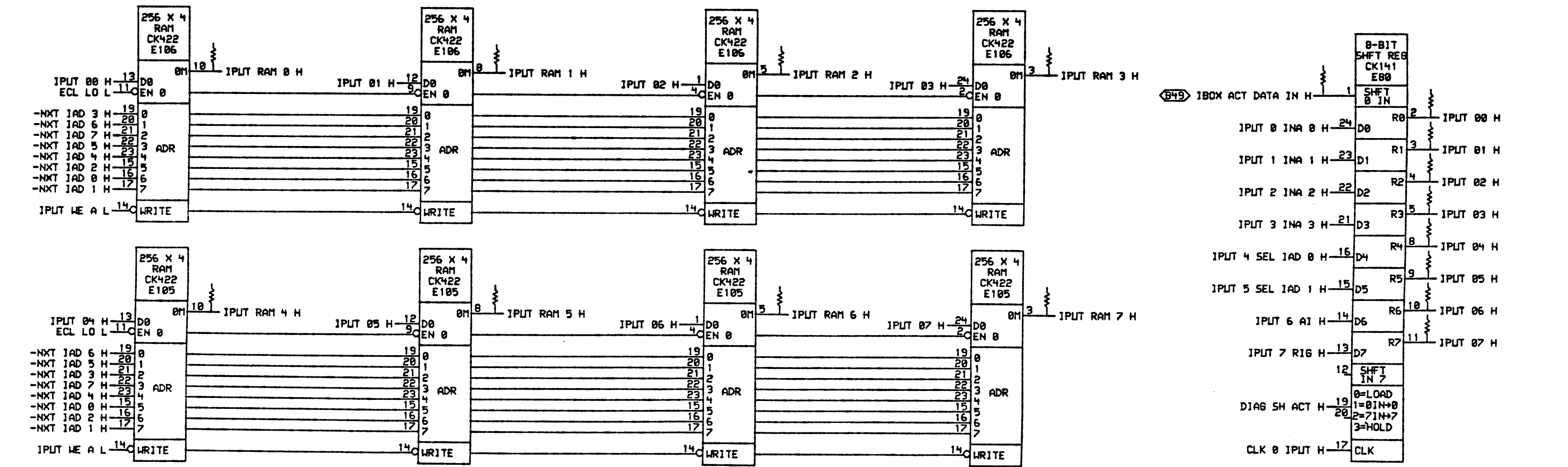
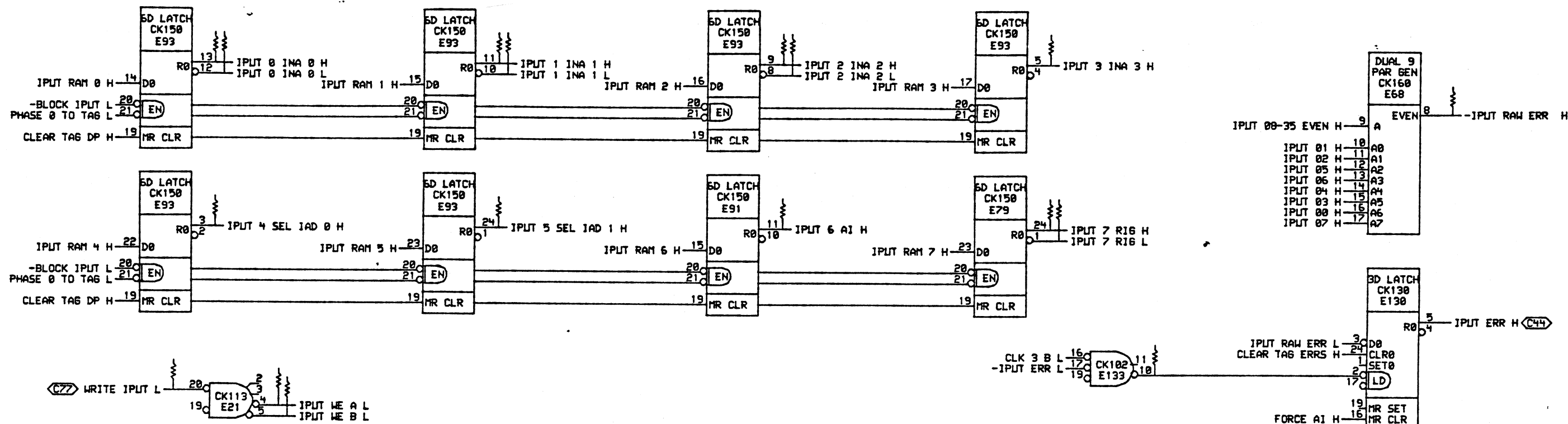
	DATE	ENG.	DATE	TITLE:
	14-APR-82			SELI HIST
CHK'D.	DATE	BOARD LOCATION:	SHEET OF	
VILCAM (2000.L0054)MSTAG8.DRW	13-APR-82 16:10	NEXT HIGHER ASSEMBLY:	SIZE	CODE
FIRST USED ON OPTION/MODEL:			D	CS
			NUMBER	REV.
			L0054-0-TAG8	



THIS DRAWING AND SPECIFICATIONS ARE THE PROPERTY OF DIGITAL EQUIPMENT CORPORATION AND SHALL NOT BE REPRODUCED OR COPIED OR USED IN WHOLE OR IN PART AS THE BASIS FOR THE MANUFACTURE OR SALE OF ITEMS WITHOUT WRITTEN PERMISSION. COPYRIGHT © 1982. DIGITAL EQUIPMENT CORPORATION.

REV.	DESCRIPTION	DATE	BY	CHK
1	CHK CHANGE NO. REV			

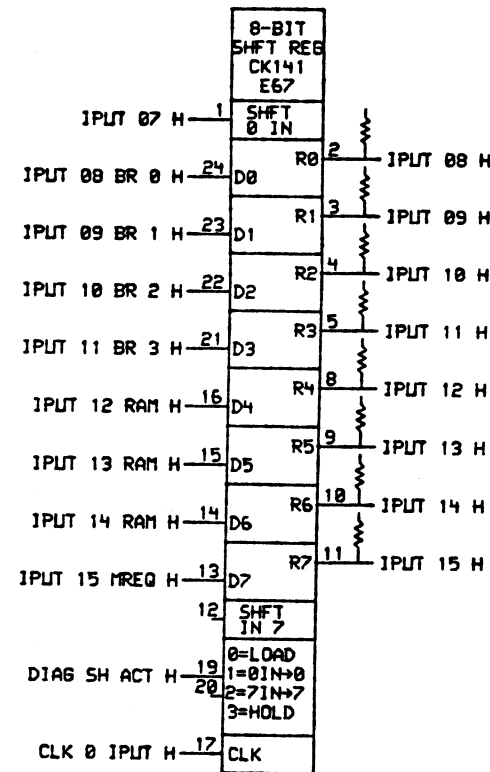
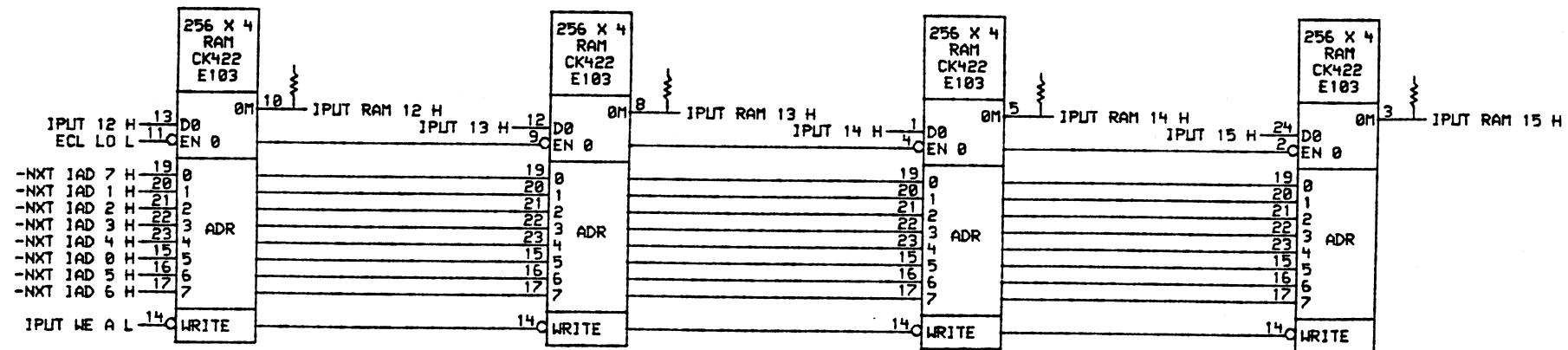
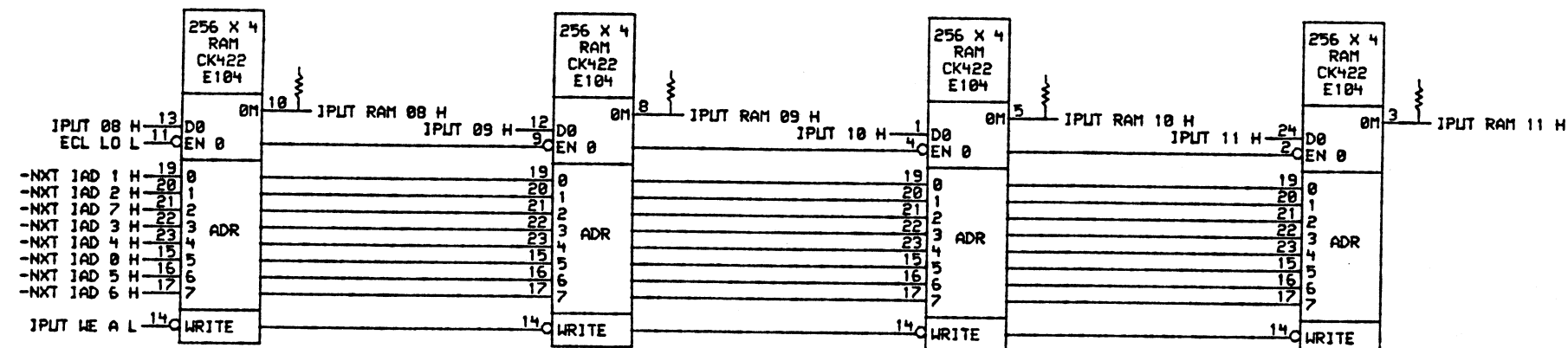
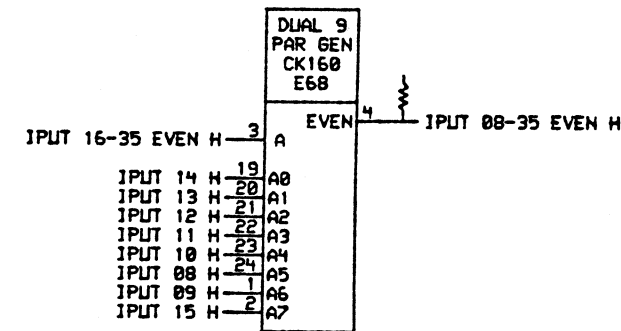
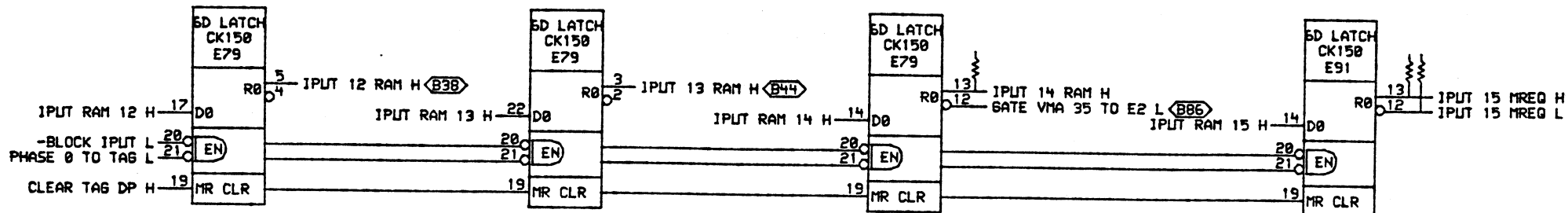
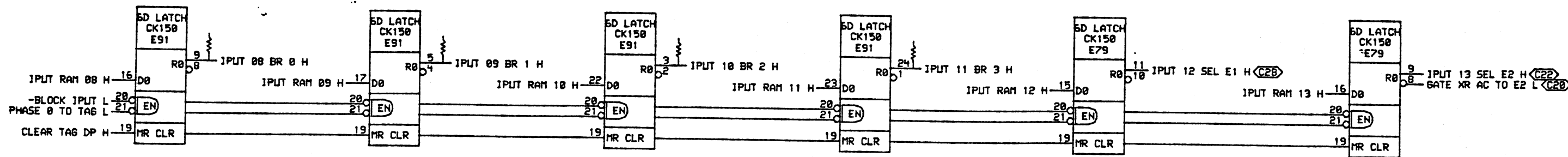
digital
 VIL CAN (2000-1004) 11/17/89.DRW 19-APR-82 11:20 NEXT HIGHER ASSEMBLY:
 FIRST USED ON OPTION/MODEL:
 DATE 20-APR-82
 ENG. DATE BOARD LOCATION: SHEET OF
 TITLE: PIPE INTERLOCK
 SIZE CODE NUMBER REV.
 D CS L0054-0-TAG9

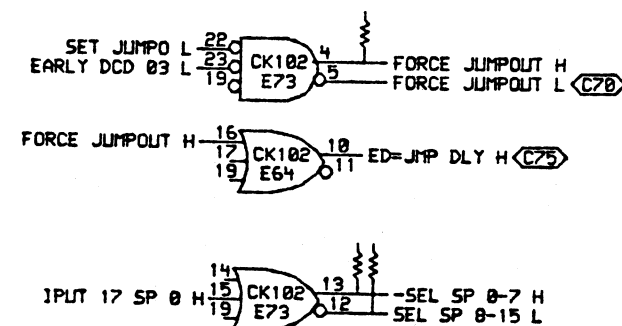
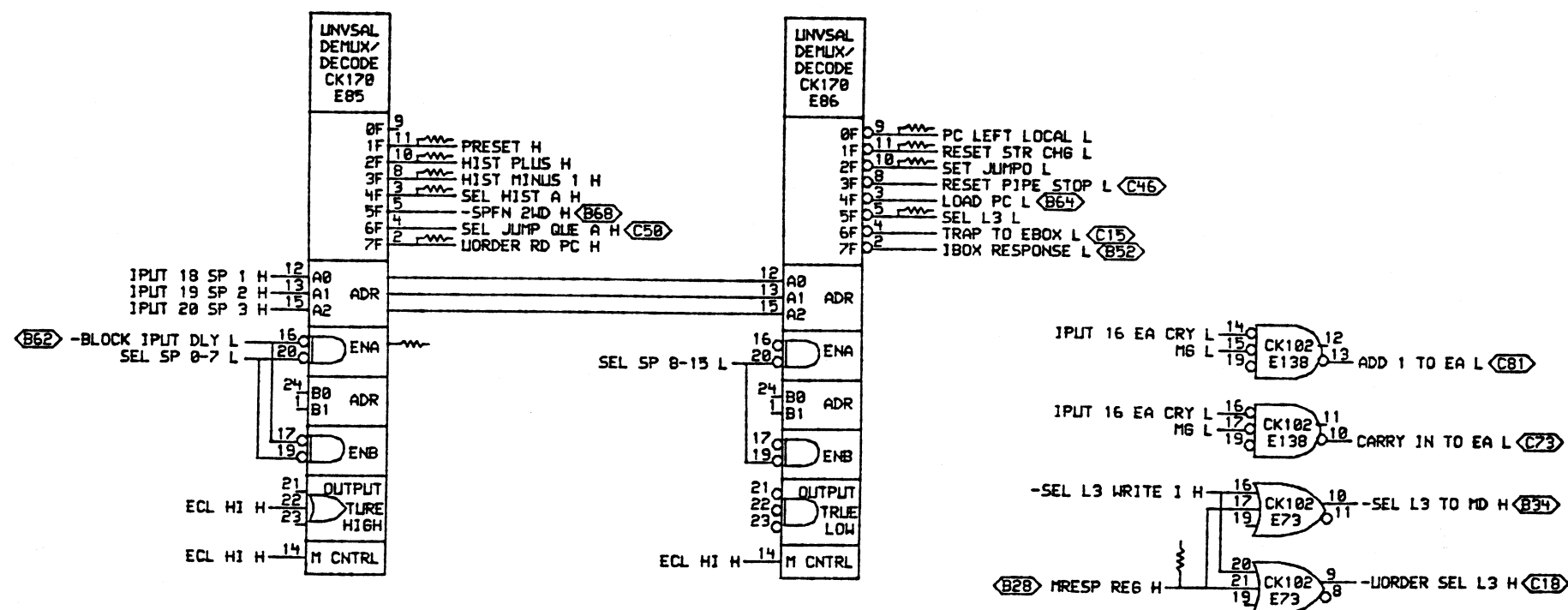
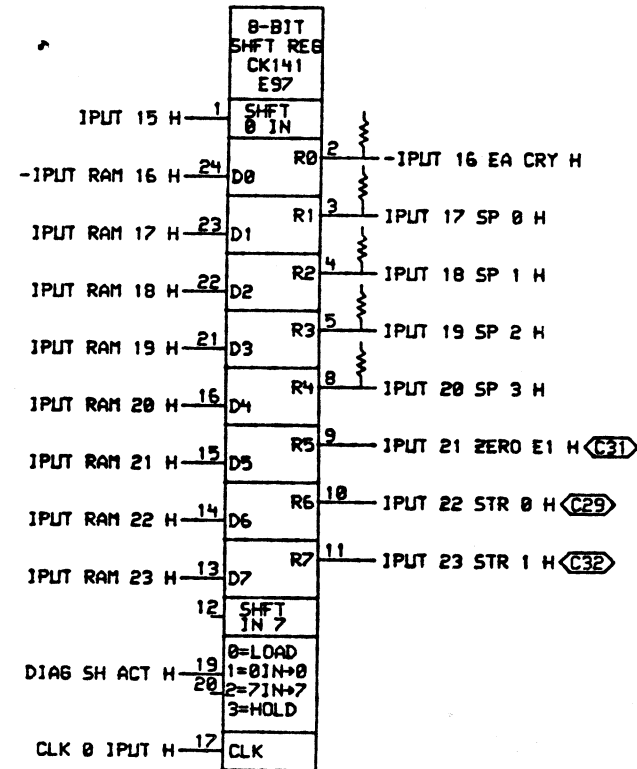
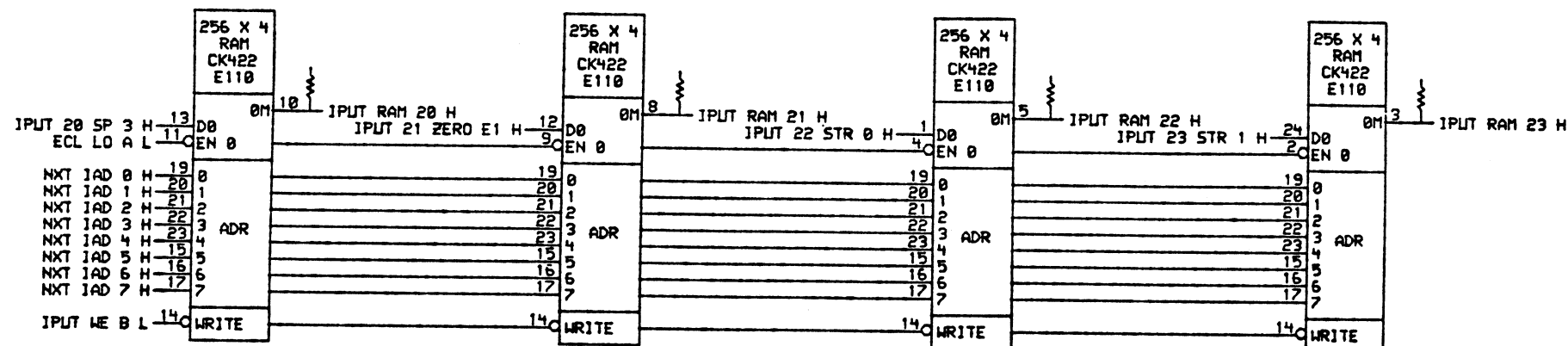
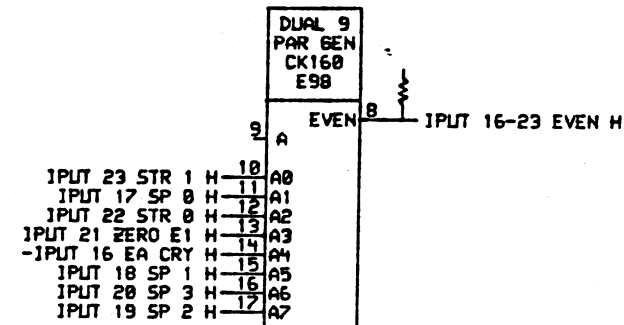
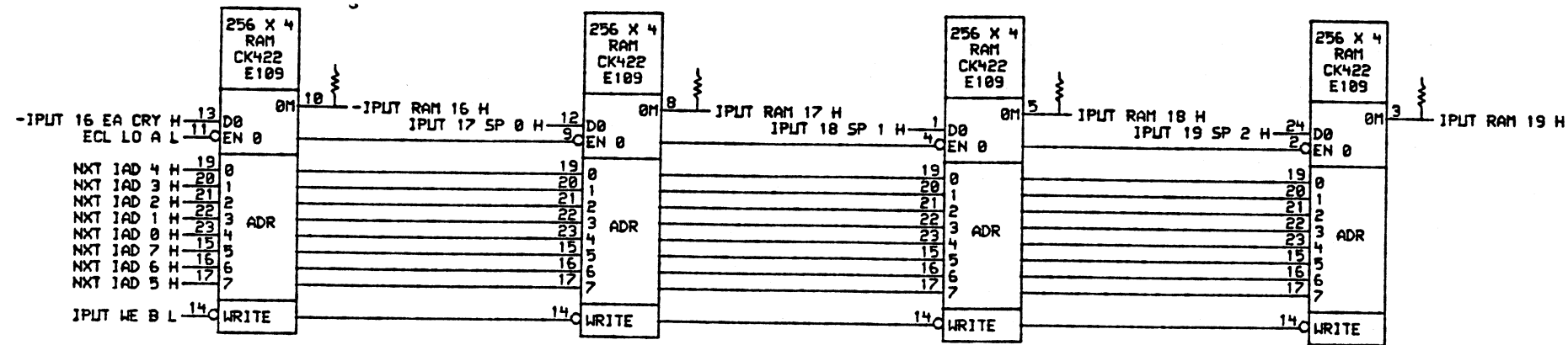


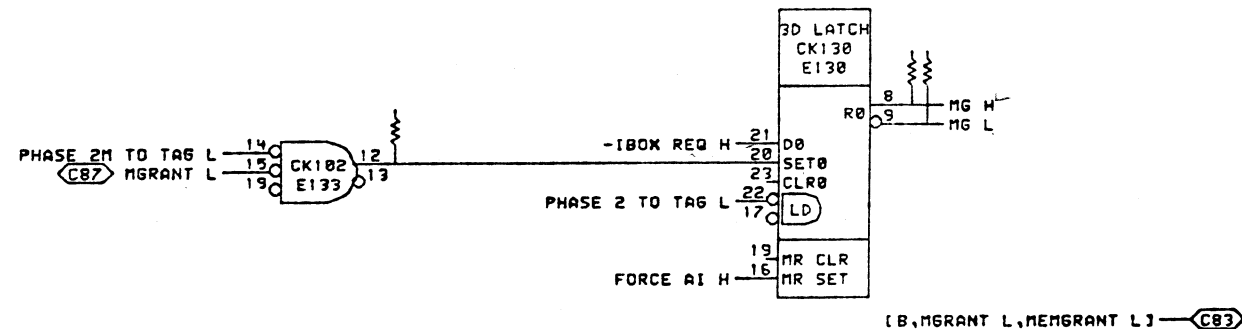
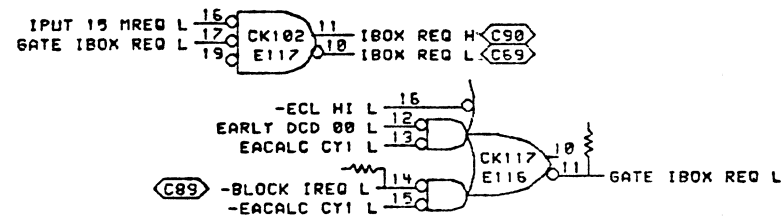
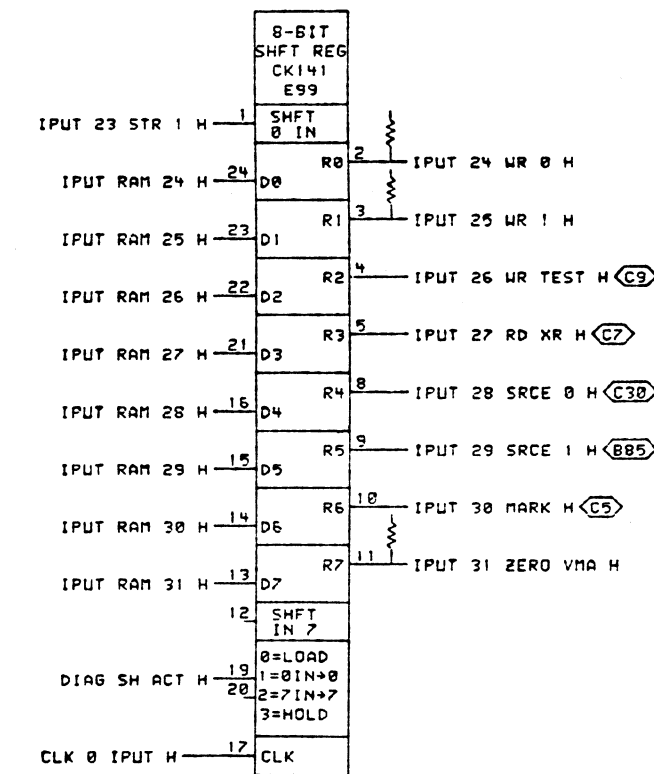
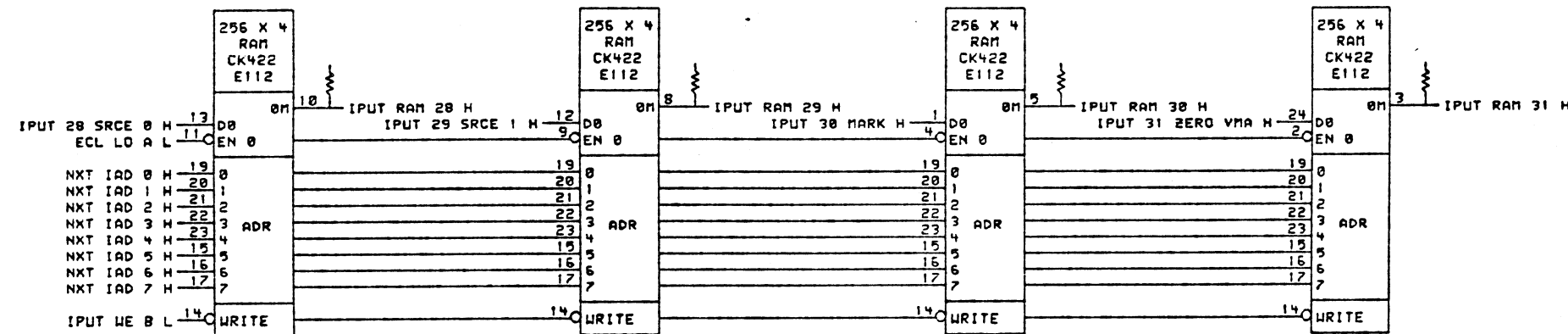
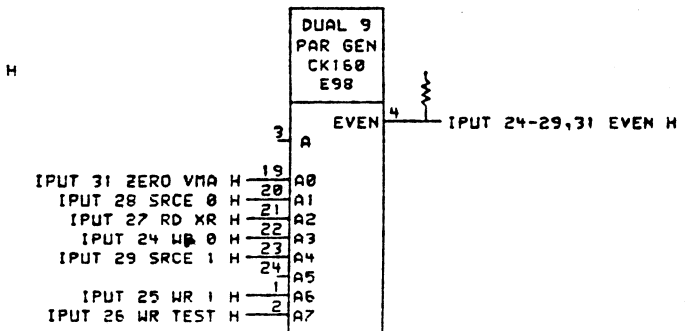
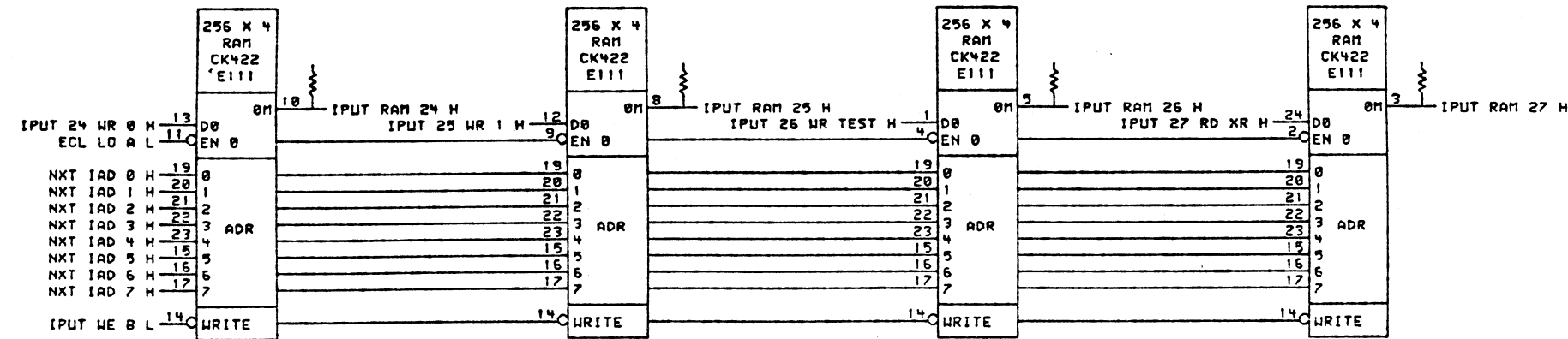
REV. NUMBER 10054-0-TAGA

A

THIS DRAWING AND SPECIFICATIONS ARE THE PROPERTY OF DIGITAL EQUIPMENT CORPORATION AND SHALL NOT BE REPRODUCED OR COPIED OR USED IN WHOLE OR IN PART AS THE BASIS FOR THE MANUFACTURE OR SALE OF ITEMS WITHOUT WRITTEN PERMISSION. COPYRIGHT © 1982 DIGITAL EQUIPMENT CORPORATION.			REVISIONS CHK CHANGE NO. REV			digital VLSI (2000-1000) SET TAGA.DRW 05-FEB-82 08:41 FIRST USED ON OPTION/MODEL: 2080		DATE ENG. 06-FEB-82 DATE BOARD LOCATION: SHEET OF NEXT HIGHER ASSEMBLY:		TITLE: IPLUT EARLY 00-07	
						SIZE CODE D CS		NUMBER L0054-0-TAGA		REV.	

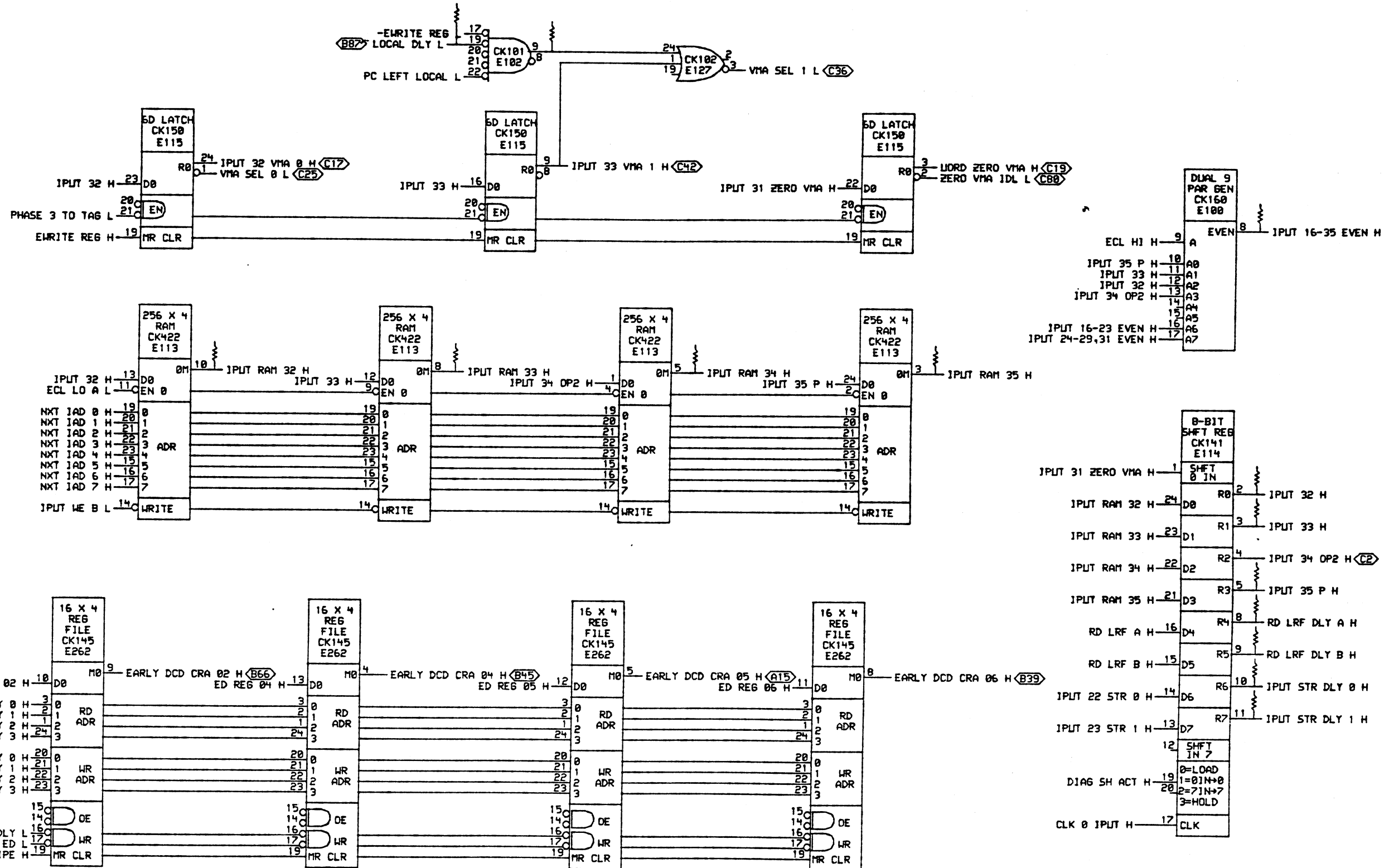






REVISIONS		
CHK	CHANGE NO.	REV

digital	DRY: <i>J. J. J.</i>	DATE: 24-MAR-82	ENG.:	DATE:	TITLE: IPUT INTERMEDIATE
	CHK'D:	DATE:	BOARD LOCATION:	SHEET OF:	24-31
VULCAN: C880.L0054-0-TAGD.DRW 23-MAR-82 18:36 NEXT HIGHER ASSEMBLY:					SIZE CODE: D CS
FIRST USED ON OPTION/MODEL: 2080					NUMBER: L0054-0-TAGD
					REV.:

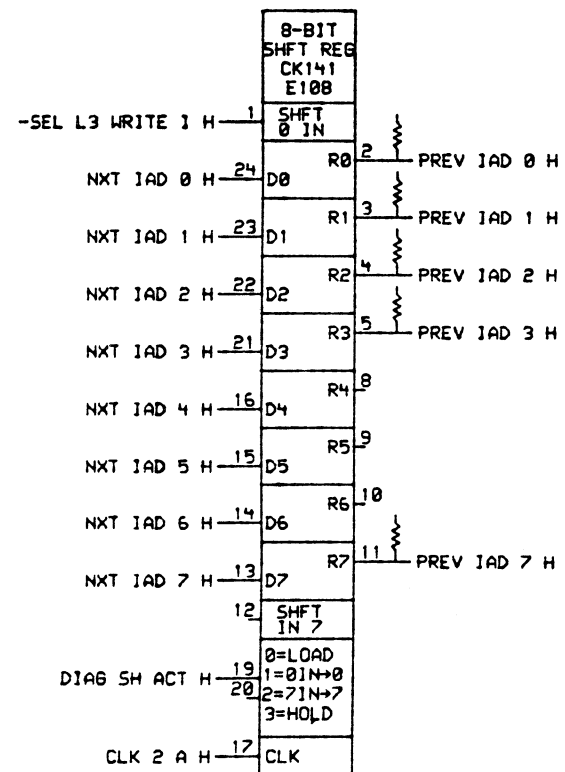
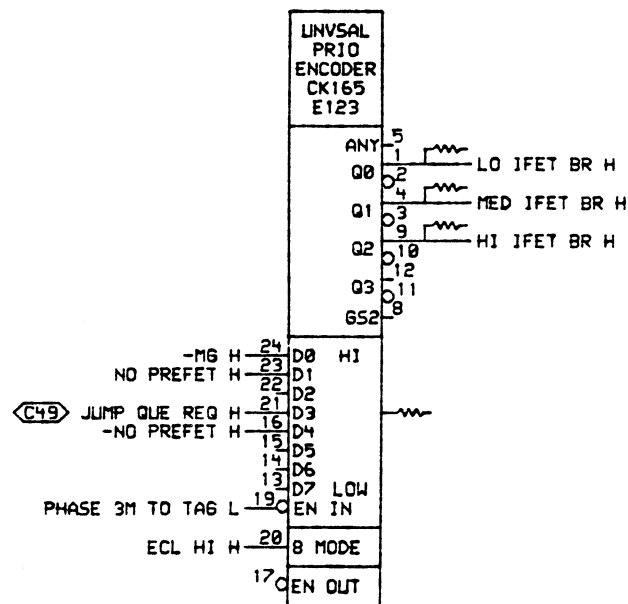
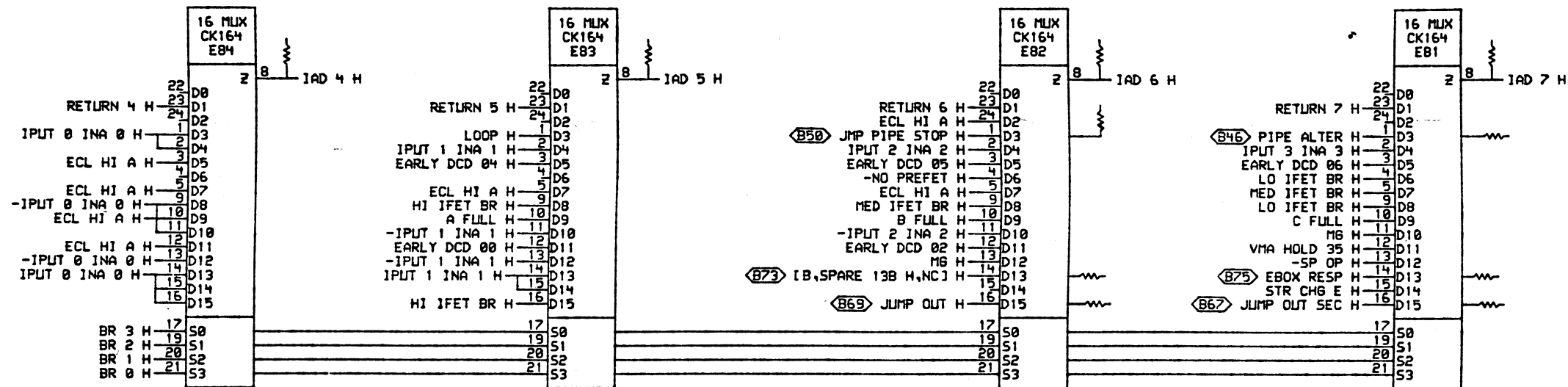
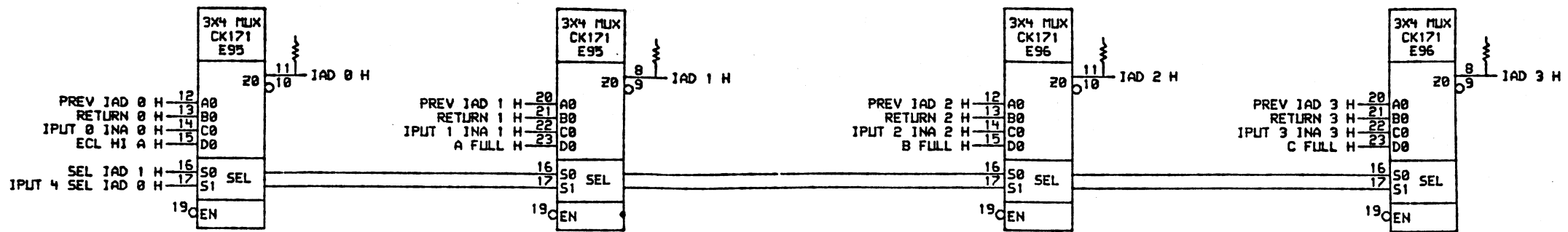


REV. B
 SIZE CODE CS L0054-0-TAGE
 NUMBER
 SHEET OF

THIS DRAWING AND SPECIFICATIONS ARE THE PROPERTY OF DIGITAL EQUIPMENT CORPORATION AND SHALL NOT BE REPRODUCED OR COPIED OR USED IN WHOLE OR IN PART AS THE BASIS FOR THE MANUFACTURE OR SALE OF ITEMS WITHOUT WRITTEN PERMISSION. COPYRIGHT © 1982. DIGITAL EQUIPMENT CORPORATION.

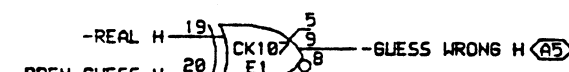
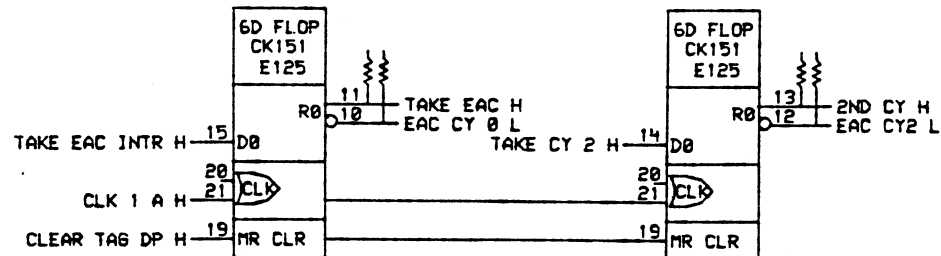
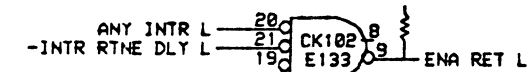
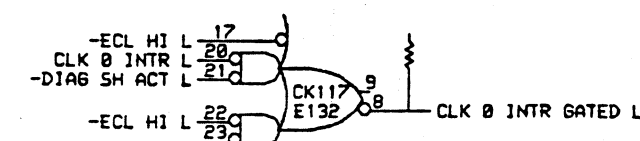
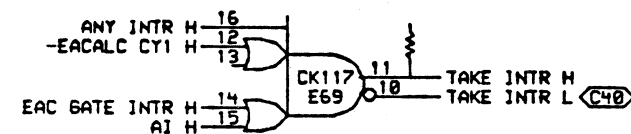
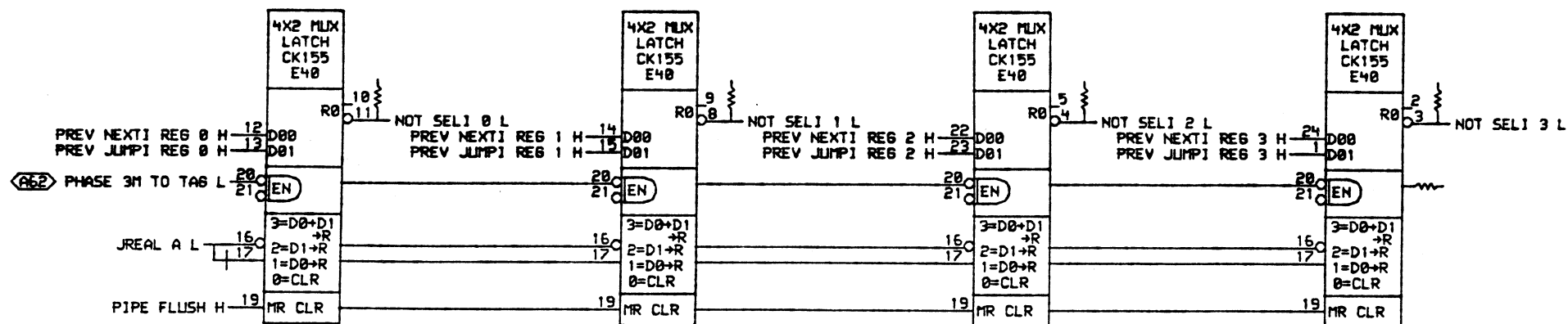
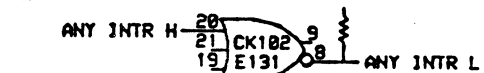
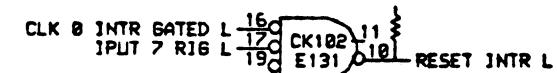
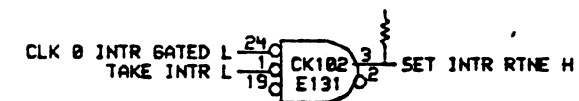
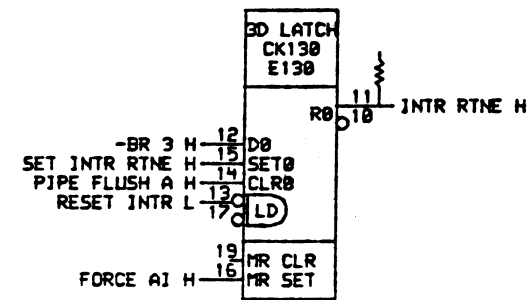
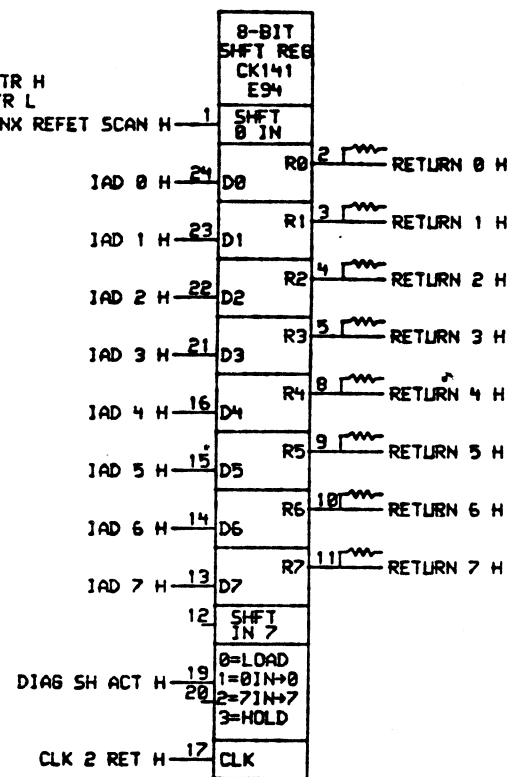
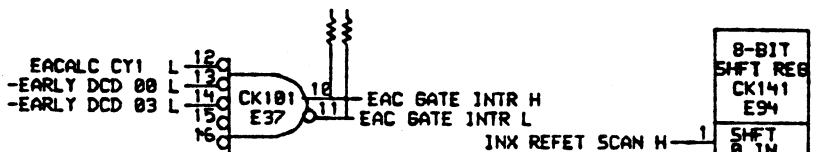
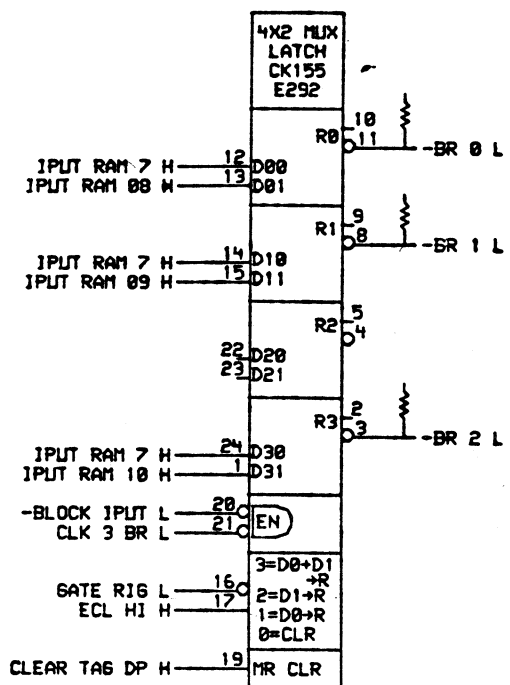
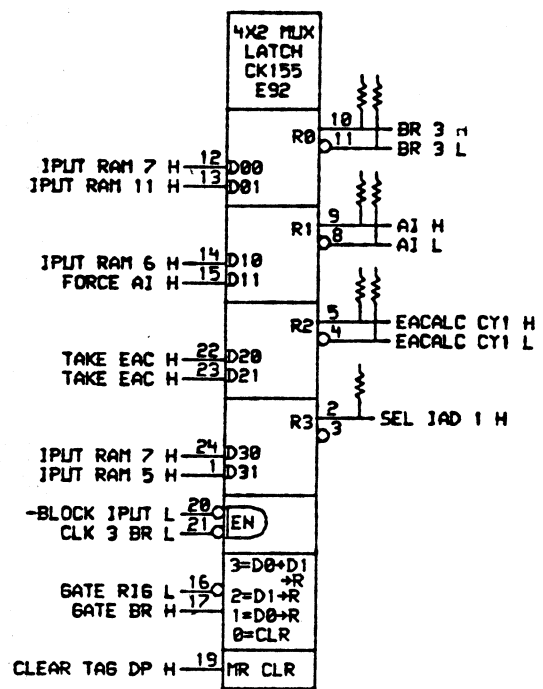
REVISIONS		
CHK	CHANGE NO.	REV.

digital	DRN. <i>J. Looney</i>	DATE 13-MAY-82	ENG.	DATE	TITLE: IPLUT INTERMEDIATE
	CHK'D.	DATE	BOARD LOCATION:	SHEET OF	32-35
MIL-CAN (C800) (8024) (M) TAGE.DRW 112-MAY-82 21:50 NEXT HIGHER ASSEMBLY: <input type="checkbox"/>					SIZE CODE D CS L0054-0-TAGE
FIRST USED ON OPTION/MODEL: 2080					NUMBER
					REV.



12
1010
0100

0011

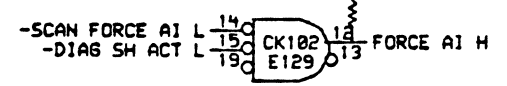
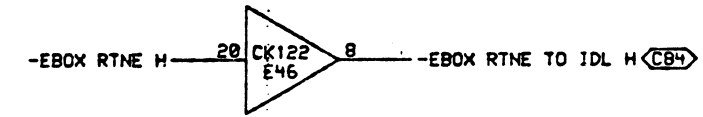
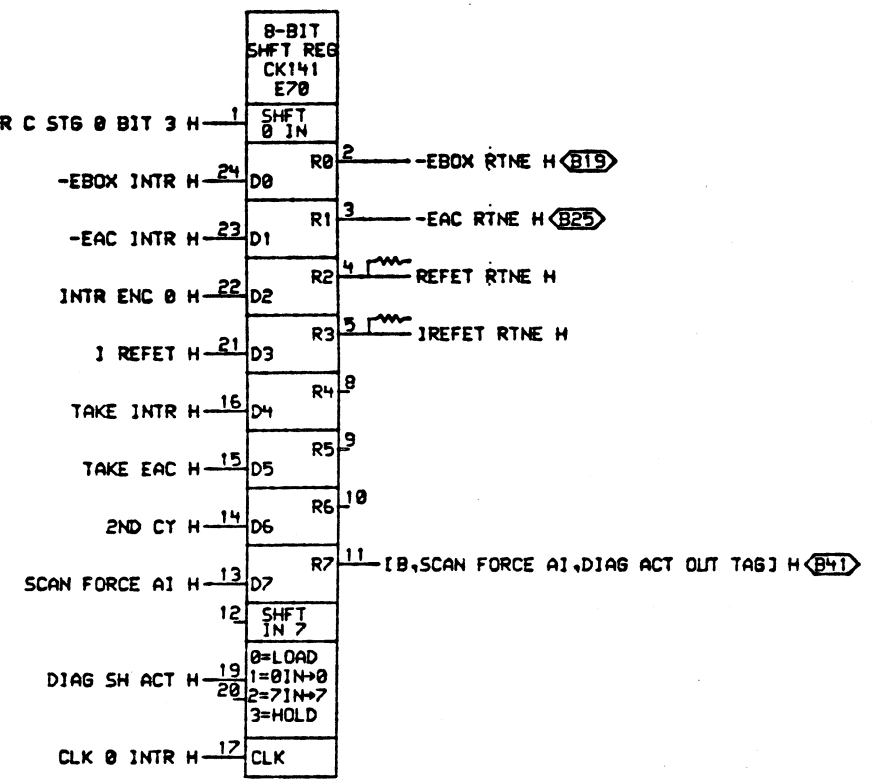
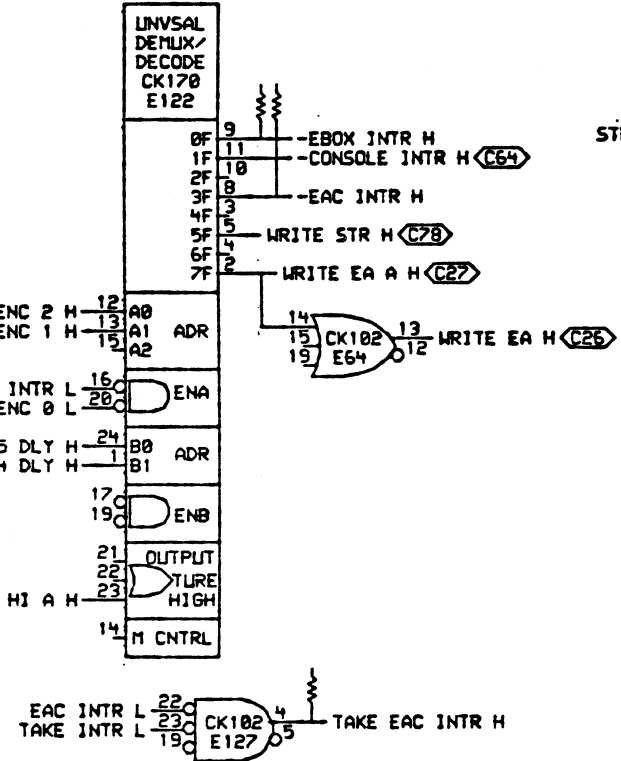
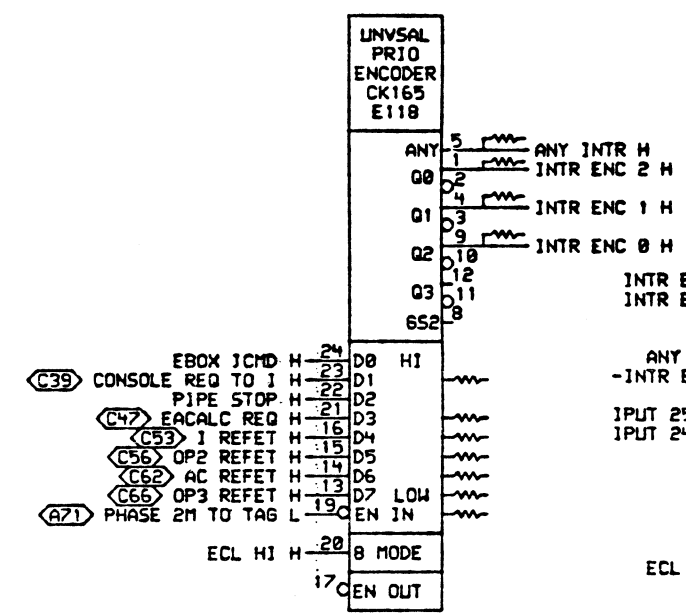
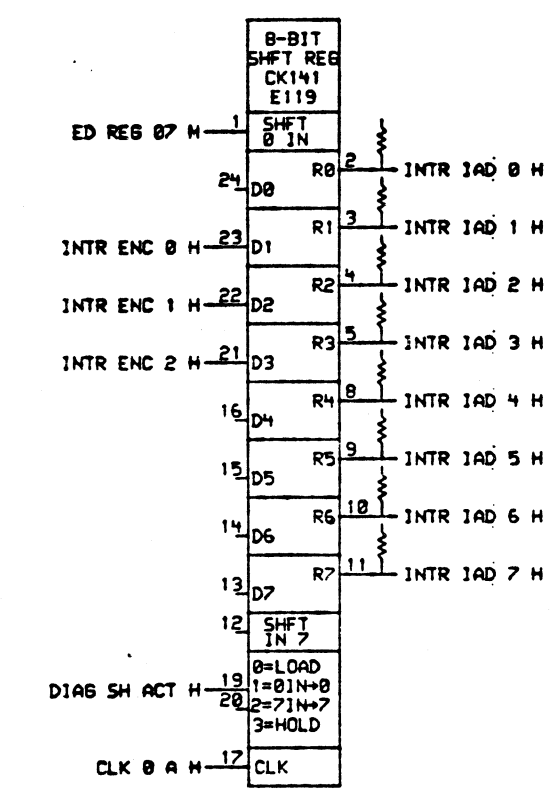
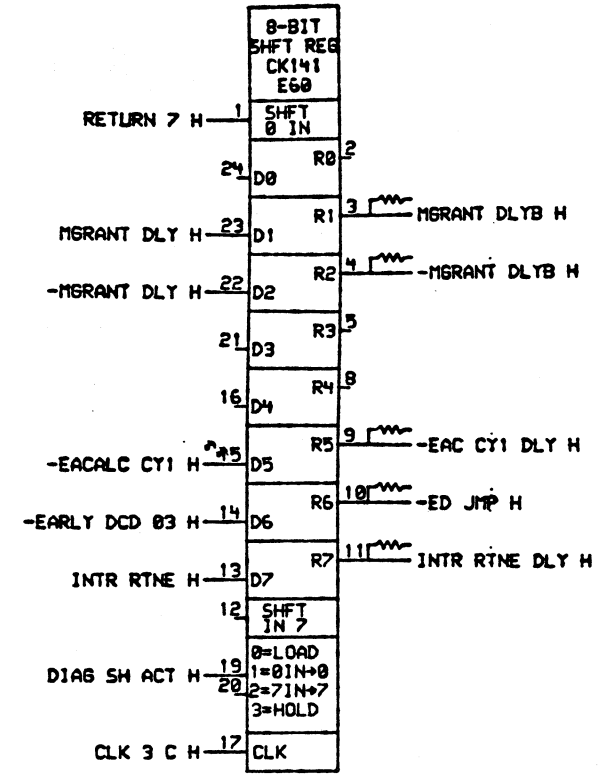
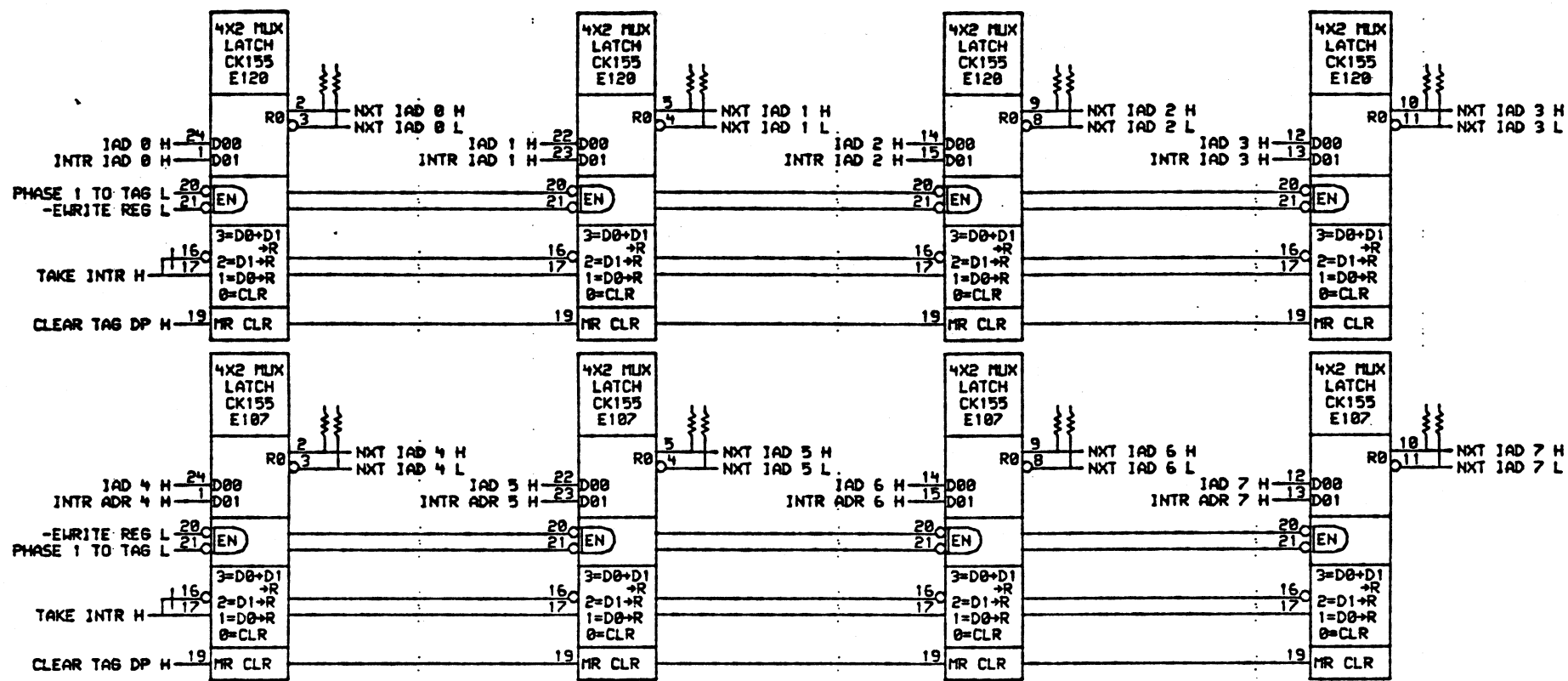


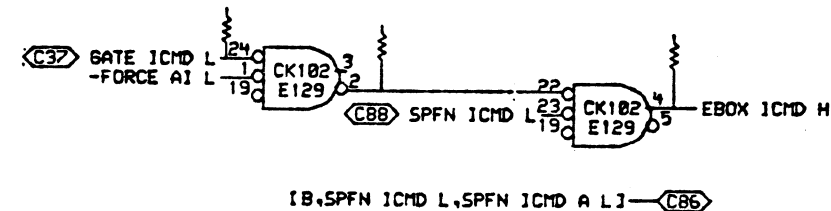
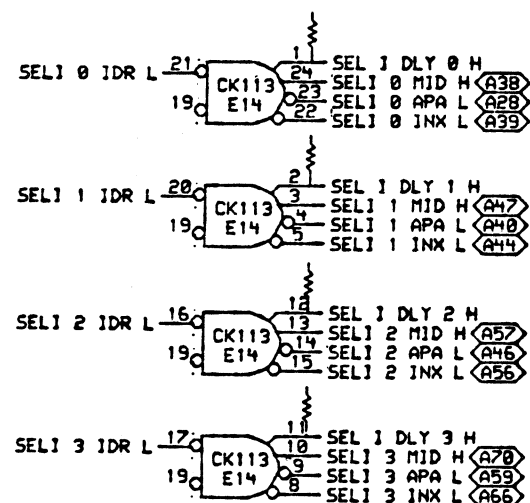
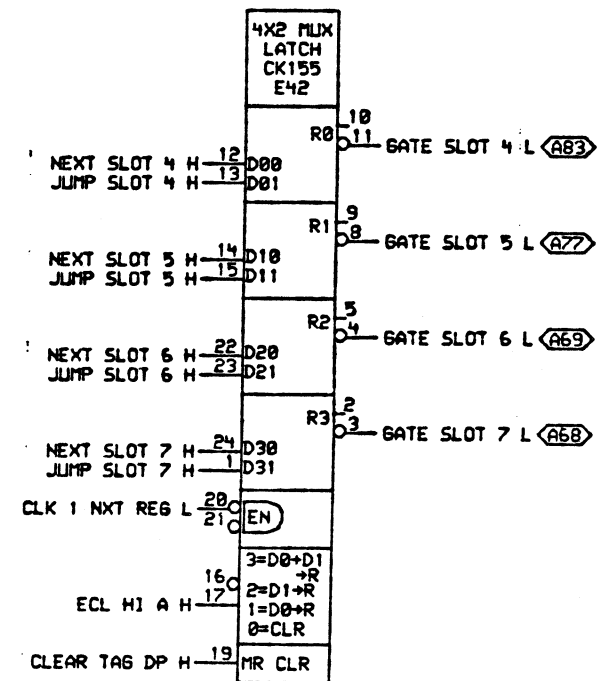
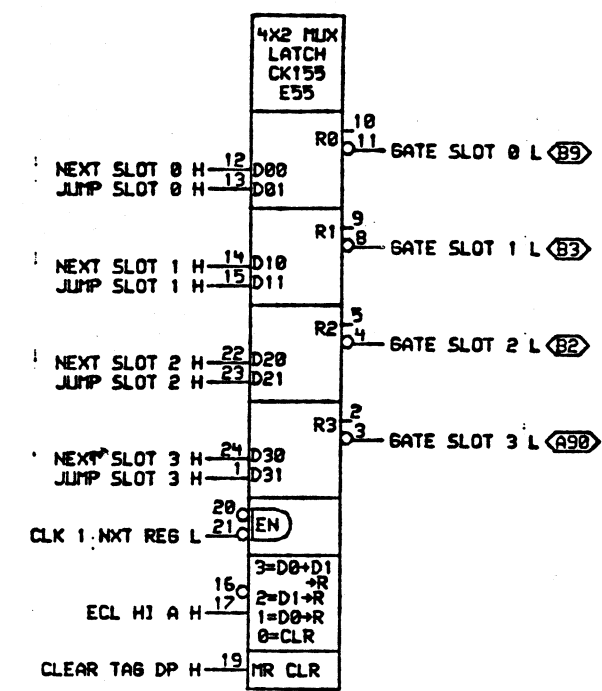
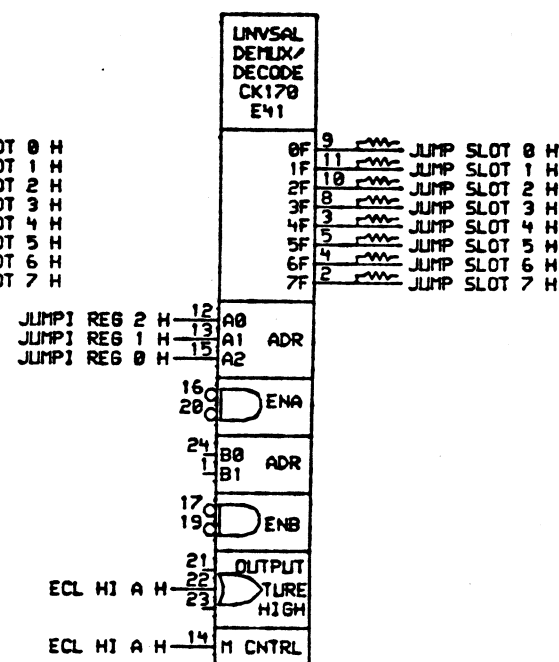
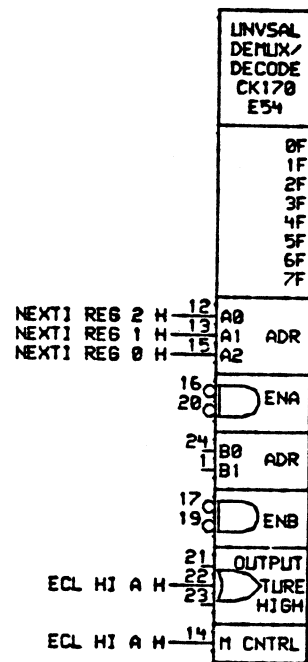
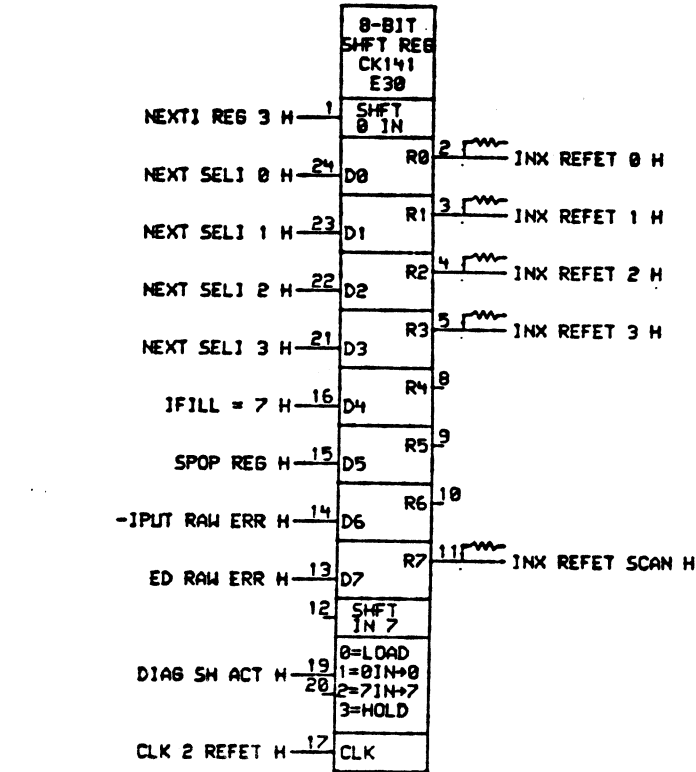
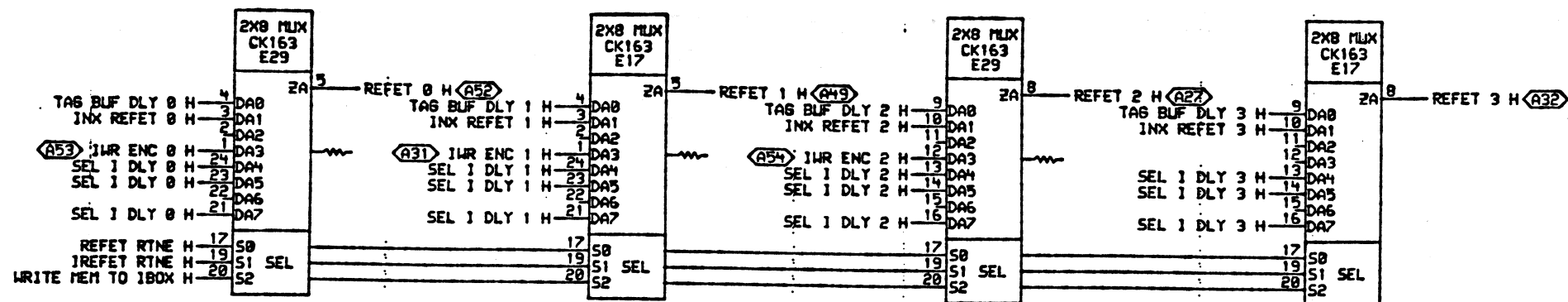
THIS DRAWING AND SPECIFICATIONS ARE THE PROPERTY OF DIGITAL EQUIPMENT CORPORATION AND SHALL NOT BE REPRODUCED OR COPIED OR USED IN WHOLE OR IN PART AS THE BASIS FOR THE MANUFACTURE OR REPAIR OF ANY ITEMS WITHOUT WRITTEN PERMISSION. COPYRIGHT © 1982, DIGITAL EQUIPMENT CORPORATION.

REVISIONS

CHK CHANGE NO. REV

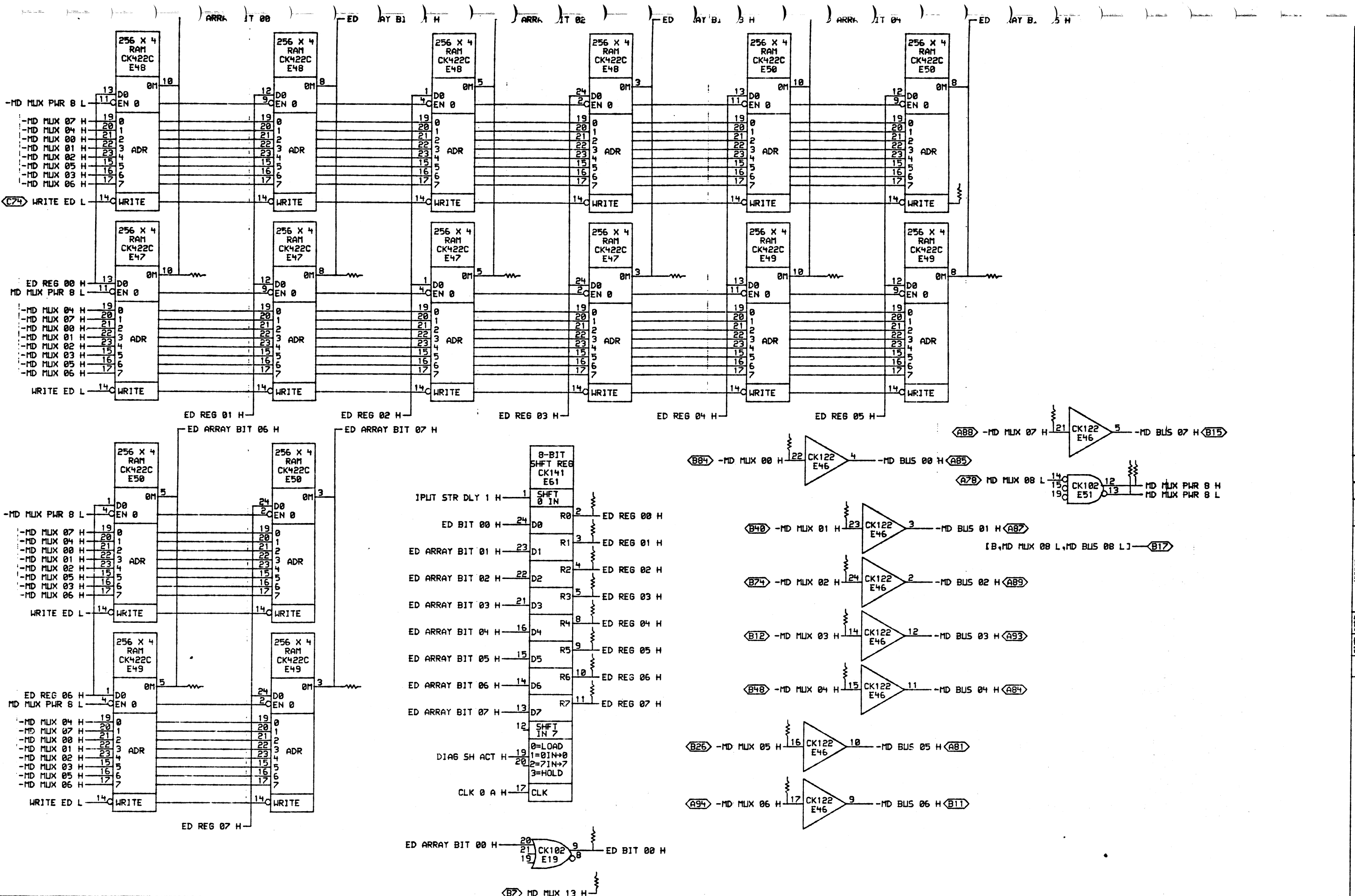
digital
 DATE 13-MAY-82 ENG. DATE
 DATE BOARD LOCATION: SHEET OF
 TITLE: RETURN REG TAG IN DLY
 VLL CAN (2888-10024) STAGG.DRW 12-MAY-82 16:58 NEXT HIGHER ASSEMBLY:
 FIRST USED ON OPTION/MODEL: SIZE CODE NUMBER REV.
 D CS L0054-0-TAGG





REVISIONS	
CHK	CHANGE NO. REV

digital	DATE	22-11-82	ENG.	DATE	TITLE:	REFET
	CHK'D.					
FIRST USED ON OPTION/MODEL:						
SIZE	CODE	NUMBER	REV.			
D	CS	L0054-0-TAGI				



D

C

B

A

REV. NUMBER L0054-0-TAGJ

SIZE D CS

REV. NUMBER

REV. NUMBER

REV. NUMBER

REV. NUMBER

REV. NUMBER

REV. NUMBER

REV. NUMBER

REV. NUMBER

REV. NUMBER

REV. NUMBER

REV. NUMBER

REV. NUMBER

REV. NUMBER

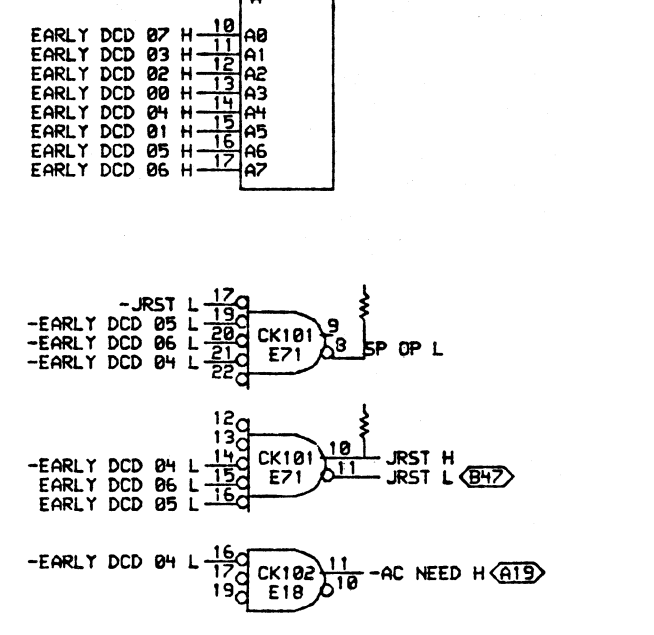
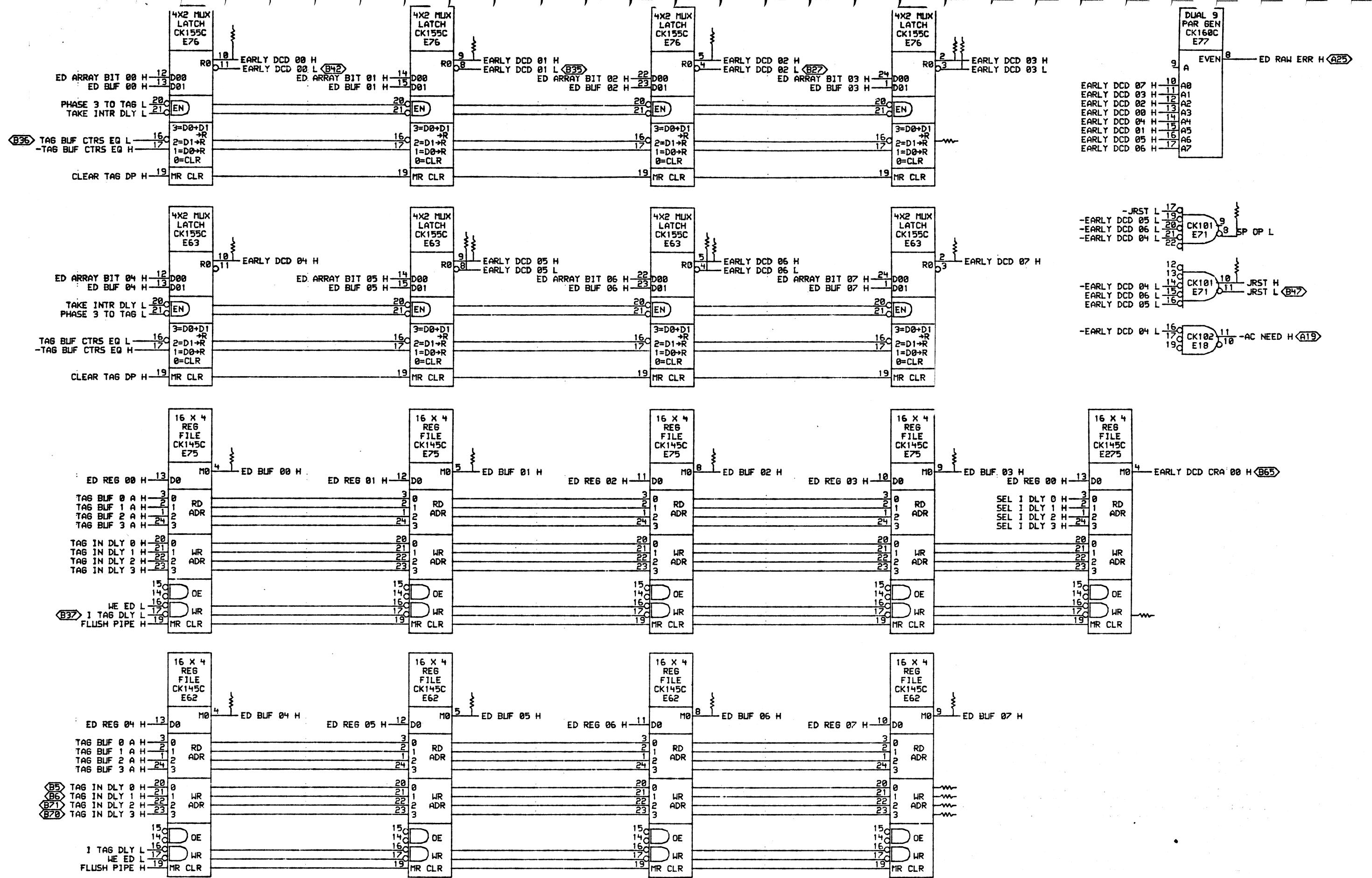
REV. NUMBER

REV. NUMBER

THIS DRAWING AND SPECIFICATIONS ARE THE PROPERTY OF DIGITAL EQUIPMENT CORPORATION AND SHALL NOT BE REPRODUCED OR COPIED OR USED IN WHOLE OR IN PART AS THE BASIS FOR THE MANUFACTURE OR SALE OF ITEMS WITHOUT WRITTEN PERMISSION. COPYRIGHT © 1982, DIGITAL EQUIPMENT CORPORATION.

REVISIONS	
CHK	CHANGE NO. REV

digital	DATE	ENG.	DATE	TITLE:	EARLY DECODE ARRAY		
	CHK'D.						
FIRST USED ON OPTION/MODEL:		NEXT HIGHER ASSEMBLY:		SIZE	CODE	NUMBER	REV.
				D	CS	L0054-0-TAGJ	



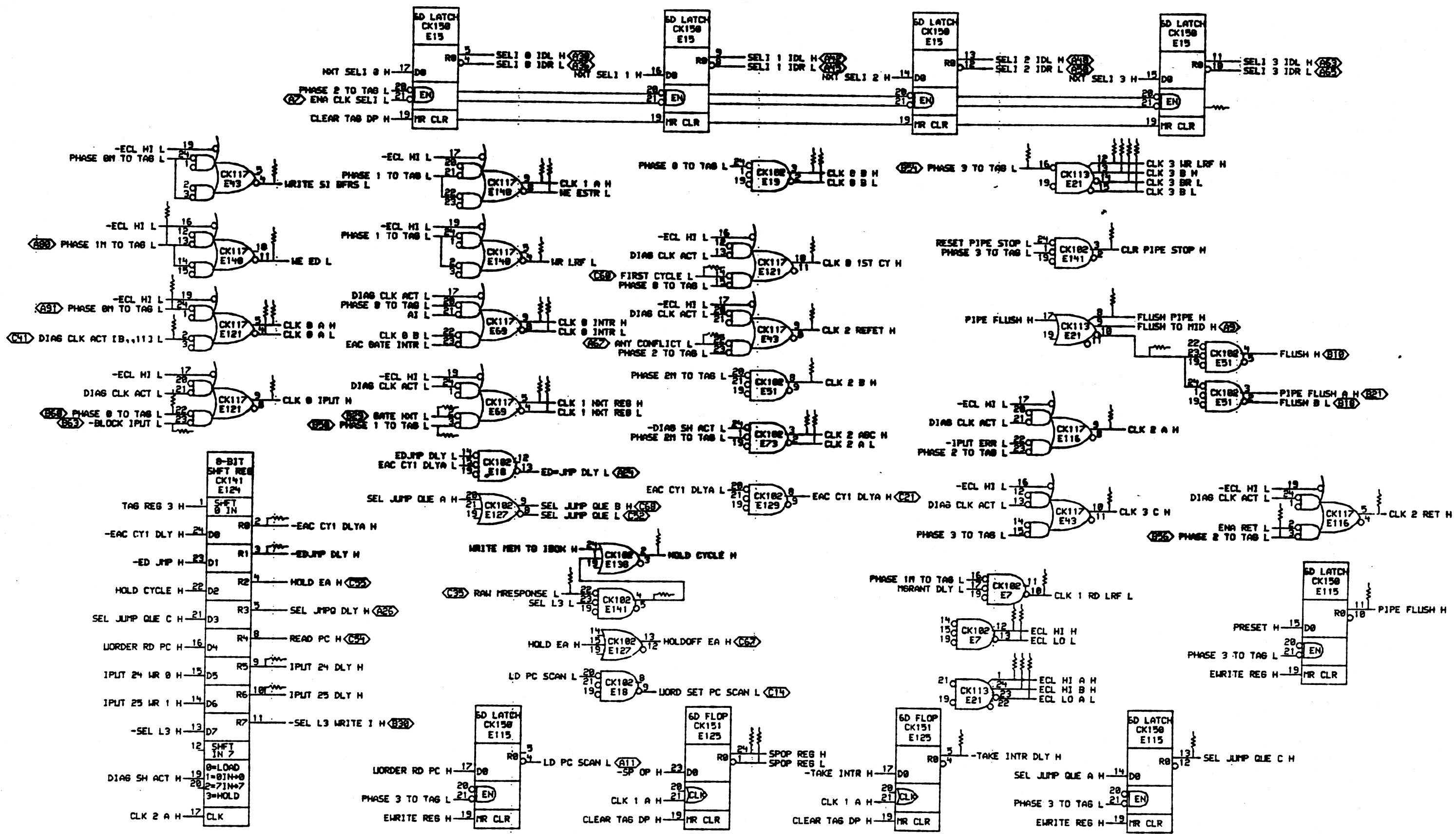
THIS DRAWING AND SPECIFICATIONS HEREOF ARE THE PROPERTY OF DIGITAL EQUIPMENT CORPORATION AND SHALL NOT BE REPRODUCED OR COPIED OR USED IN WHOLE OR IN PART AS THE BASIS FOR THE MANUFACTURE OR SALE OF ITEMS WITHOUT WRITTEN PERMISSION. COPYRIGHT © 1982, DIGITAL EQUIPMENT CORPORATION.

REVISIONS	
CHK	CHANGE NO. REV

digital	DRN. J. J. J.	DATE 27-AUG-82	ENG.	DATE	TITLE: E DECODE BUF TAGM
	CHK'D.	DATE	BOARD LOCATION: SHEET	OF	
VLL:CAM: (2888-J.0824) 27:CHK.DRW		26-AUG-82 10:36	NEXT HIGHER ASSEMBLY:	SIZE D	CODE CS
FIRST USED ON OPTION/MODEL:				NUMBER L0054-0-TAGK	REV.

--	--	--	--	--	--

REV. NUMBER L0054-0-TAGK

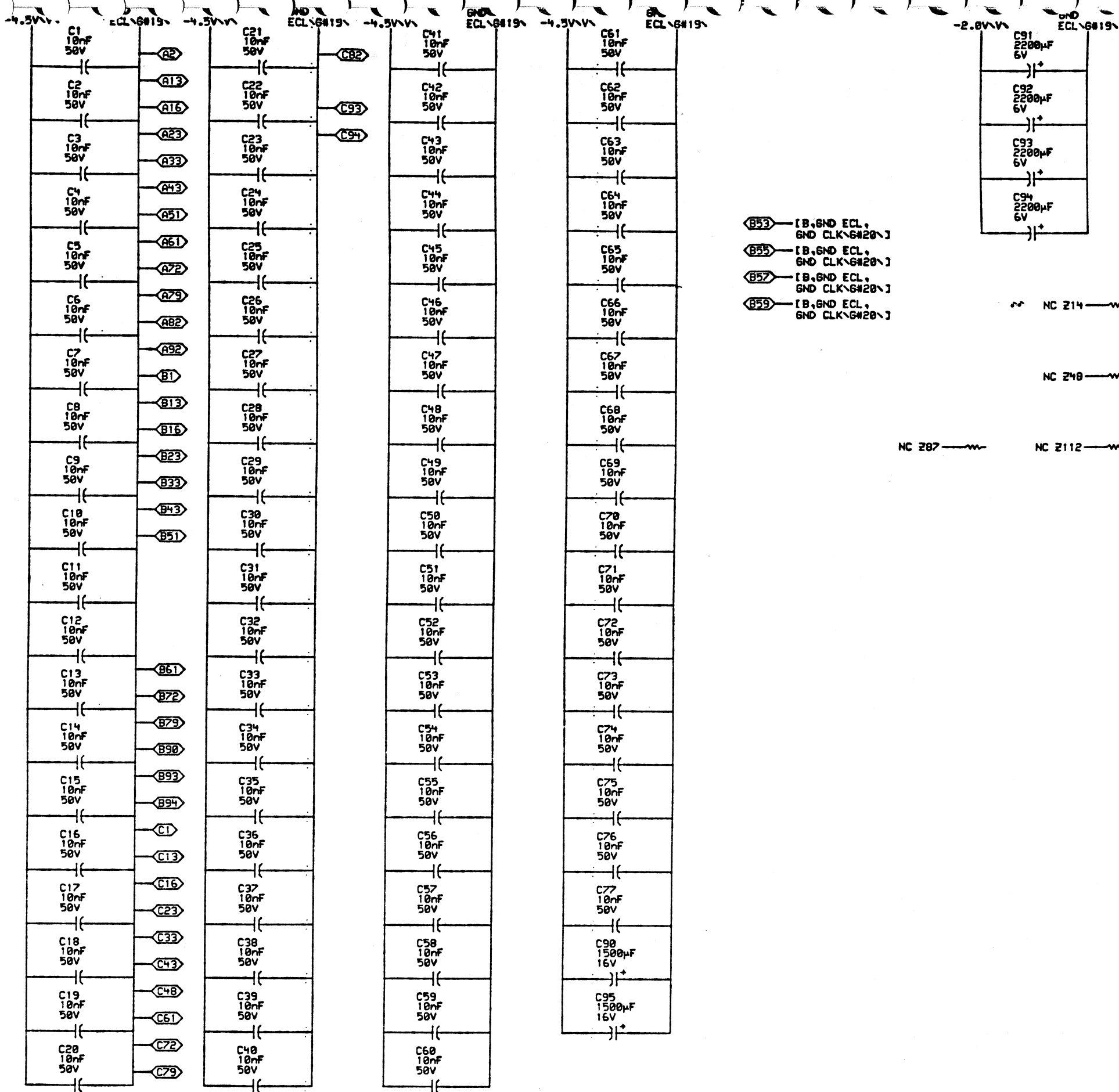


REV. NUMBER ALPHABETICALLY
 L0054-0-TAGN
 SIZE D CS
 D
 A

THIS DRAWING AND SPECIFICATIONS ARE THE PROPERTY OF DIGITAL EQUIPMENT CORPORATION AND ARE NOT TO BE REPRODUCED OR COPIED IN ANY MANNER OR IN PART AS THE BASIS FOR THE MANUFACTURE OF ANY EQUIPMENT WITHOUT WRITTEN PERMISSION OF DIGITAL EQUIPMENT CORPORATION.

REVISIONS	
CHK	CHANGE NO. REV

digital	DATE	18-JUL-82	ENG.		DATE		TITLE:	IO DRIVE TAGN
	CHK'D.						BOARD LOCATION:	
FIRST USED ON OPTION/MODEL:							SIZE	D CS
							CODE	L0054-0-TAGN
							NUMBER	
							REV.	



- ⓑ53 [B,GND ECL, GND CLK\G#20\]
- ⓑ55 [B,GND ECL, GND CLK\G#20\]
- ⓑ57 [B,GND ECL, GND CLK\G#20\]
- ⓑ59 [B,GND ECL, GND CLK\G#20\]

THIS DRAWING AND SPECIFICATIONS ARE THE PROPERTY OF DIGITAL EQUIPMENT CORPORATION AND SHALL NOT BE REPRODUCED OR COPIED IN WHOLE OR IN PART AS A BASIS FOR THE MANUFACTURE OR SALE OF ITEMS WITHOUT WRITTEN PERMISSION. COPYRIGHT © 1982. DIGITAL EQUIPMENT CORPORATION

REVISIONS	
CHK	CHANGE NO. REV

digital	DATE	ENG.	DATE	TITLE:
	22-JUL-82			TAG
CHK'D.	DATE	BOARD LOCATION:	POWER & GROUND	
		SHEET 1 OF 1		
FIRST USED ON OPTION/MODEL:		NEXT HIGHER ASSEMBLY:	SIZE CODE	NUMBER
B-DD-L0054-0		B-DD-L0054-0	D CS	L0054-0-TAGM
8	7	6	5	4
3	2	1	REV.	

D
 C
 REV.
 NUMBER
 L0054-0-TAGM
 CS
 D
 D

8

7

6

5

4

3

2

REV.

NUMBER

SIZE CODE
D 3000 3215

1

VULCAN:<2080.L0055>30IDL1
 VULCAN:<2080.L0055>30IDL2
 VULCAN:<2080.L0055>30IDL3
 VULCAN:<2080.L0055>30IDL4
 VULCAN:<2080.L0055>30IDL5
 VULCAN:<2080.L0055>4IDL6
 VULCAN:<2080.L0055>13IDL7
 VULCAN:<2080.L0055>13IDL8
 VULCAN:<2080.L0055>30IDL9
 VULCAN:<2080.L0055>15IDLA
 VULCAN:<2080.L0055>13IDLB
 VULCAN:<2080.L0055>13IDLC
 VULCAN:<2080.L0055>30IDLD
 VULCAN:<2080.L0055>29IDLE
 VULCAN:<2080.L0055>13IDLF
 VULCAN:<2080.L0055>13IDLG
 VULCAN:<2080.L0055>29IDLH
 VULCAN:<2080.L0055>20IDL I
 VULCAN:<2080.L0055>29IDLJ
 VULCAN:<2080.L0055>29IDLK
 VULCAN:<2080.L0055>30IDLL
 VULCAN:<2080.L0055>IDLM

D

D

C

C

B

REV.

NUMBER

SIZE CODE
D SP

D

A

D

THIS DRAWING AND SPECIFICATIONS,
 HEREIN, ARE THE PROPERTY OF
 DIGITAL EQUIPMENT CORPORATION AND
 SHALL NOT BE REPRODUCED OR COPIED
 OR USED IN WHOLE OR IN PART AS
 THE BASIS FOR THE MANUFACTURE OR
 SALE OF ITEMS WITHOUT WRITTEN
 PERMISSION. COPYRIGHT © 1983,
 DIGITAL EQUIPMENT CORPORATION.

REVISIONS		
CHK	CHANGE NO.	REV

digital

DRN. *J. J. J.*
 CHK'D.

DATE 22-JAN-83
 DATE

ENG.
 BOARD LOCATION:
 SHEET OF

DATE
 TITLE:

ARCH: <LHLLER.PLOTS>IDL.DP..1 | 22-JAN-83 03:14
 FIRST USED ON OPTION/MODEL:

NEXT HIGHER ASSEMBLY:

SIZE CODE
D SP

NUMBER

REV.

8

7

6

5

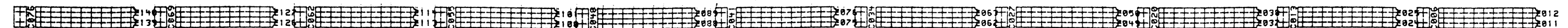
4

3

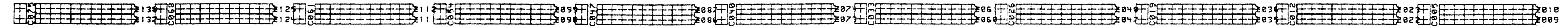
2

1

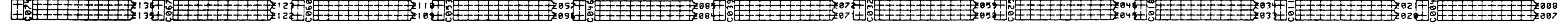
E141	E128	E115	E102	E090	E077	E064	E051	E039	E026	E013
E140	E127	E114	E101	E089	E076	E063	E050	E038	E025	E012



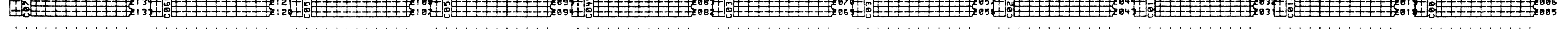
E139	E126	E113	E100	E088	E075	E062	E049	E037	E024	E011
E138	E125	E112	E099	E087	E074	E061	E048	E036	E023	E010



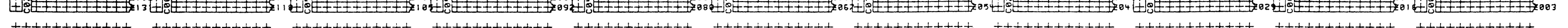
E137	E124	E111	E098	E086	E073	E060	E047	E035	E022	E009
E136	E123	E110	E097	E085	E072	E059	E046	E034	E021	E008



E135	E122	E109	E096	E084	E071	E058	E045	E033	E020	E007
E134	E121	E108	E095	E083	E070	E057	E044	E032	E019	E006



E133	E120	E107	E094	E082	E069	E056	E043	E031	E018	E005
E132	E119	E106	E093	E081	E068	E055	E042	E030	E017	E004

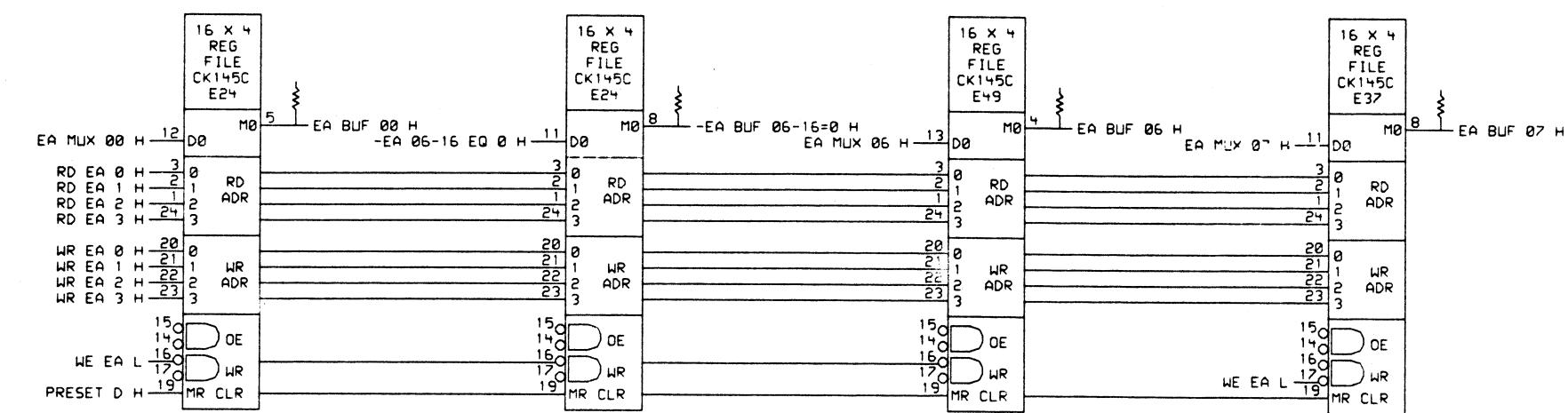
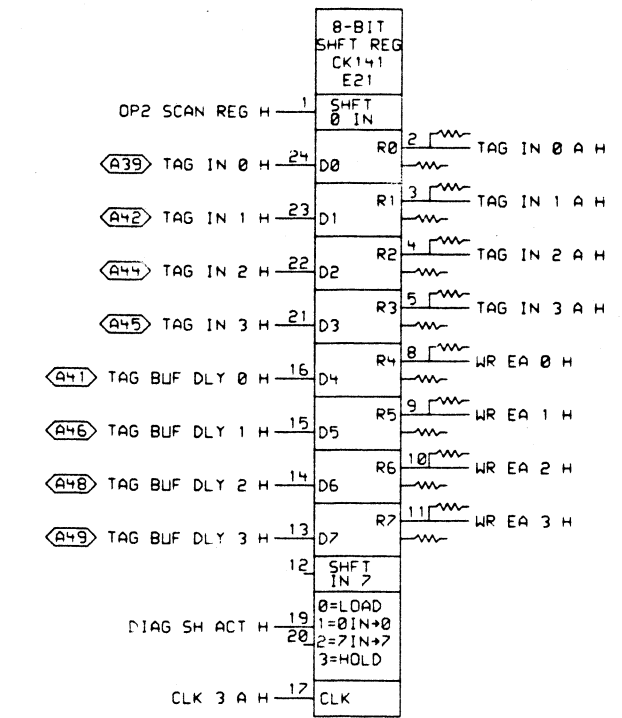
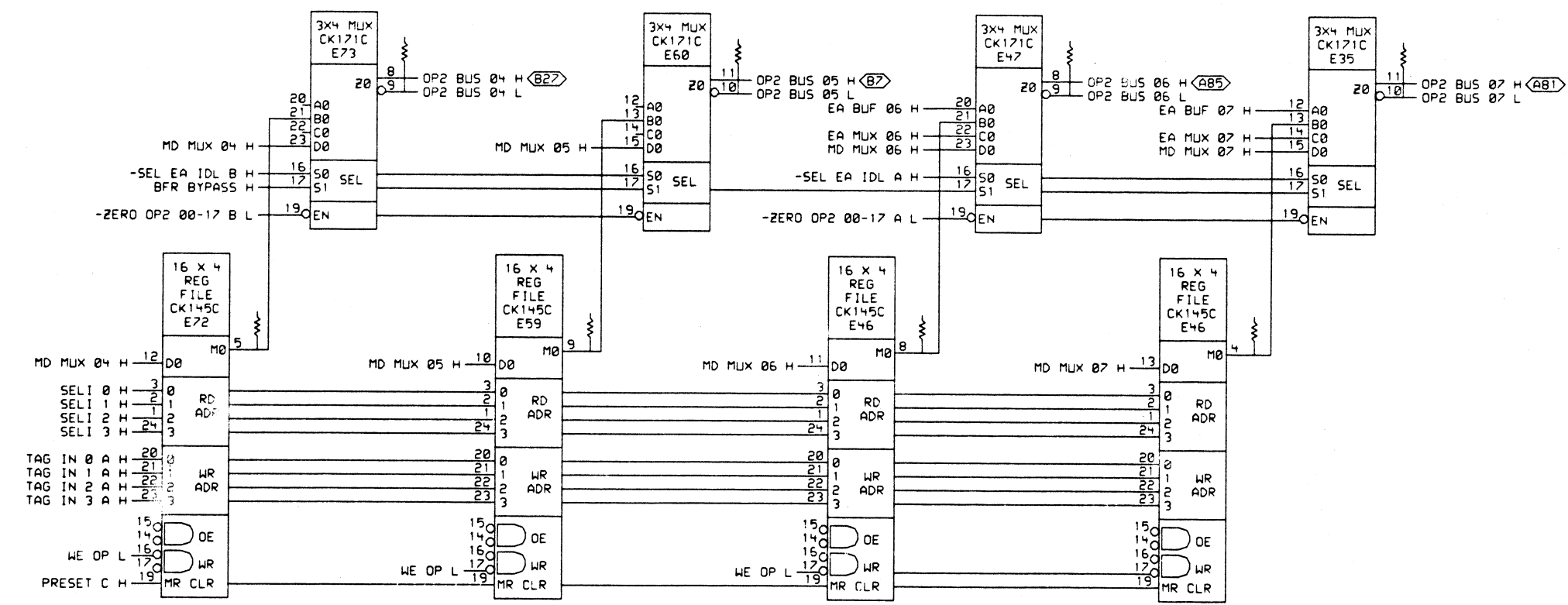
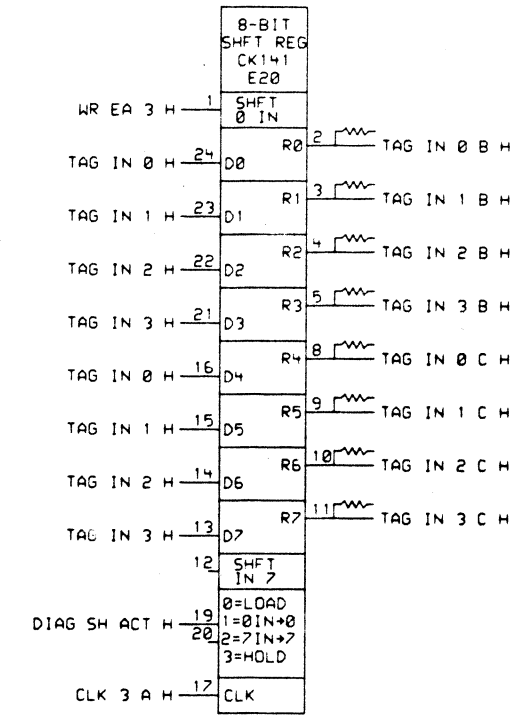
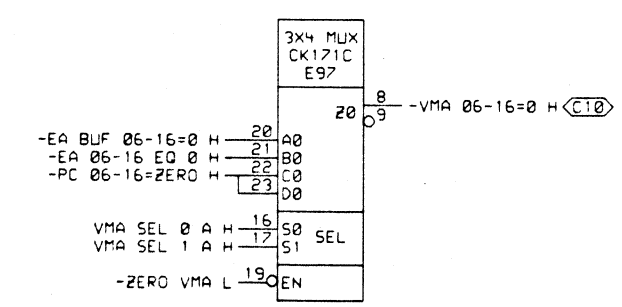
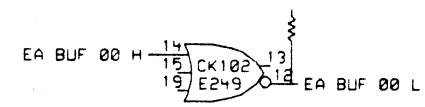


E131	E118	E105	E092	E080	E067	E054	E041	E029	E016	E003
+ C095 + +		C094		+ + C093		+ + C092		+ + C091		+ + C090

E130	E117	E104	E091	E079	E066	E053	E040	E028	E015	E002
------	------	------	------	------	------	------	------	------	------	------

E129	E116	E103	E078	E065	E052	"141"	E027	E014	E001
------	------	------	------	------	------	-------	------	------	------

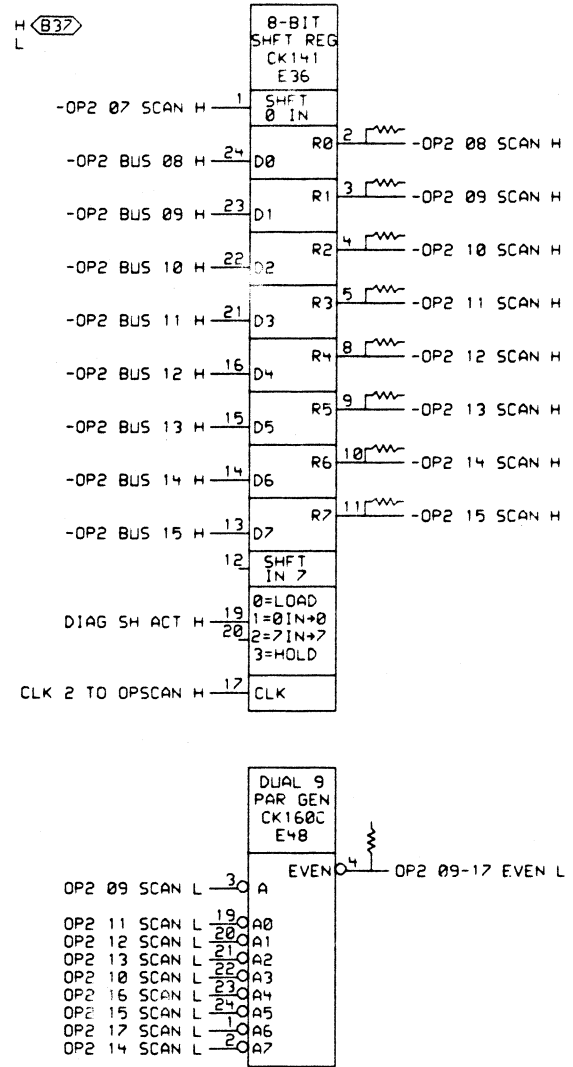
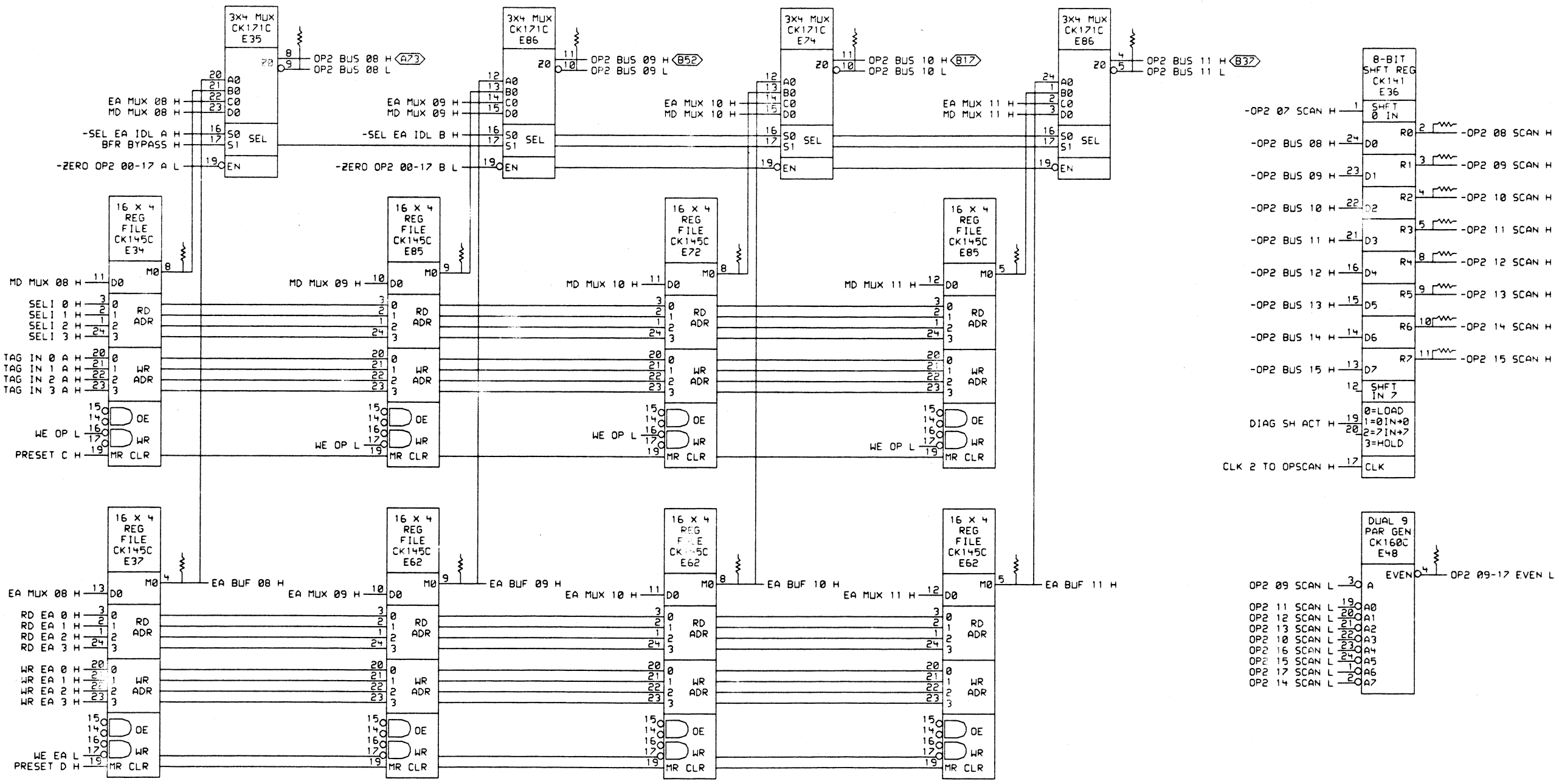
IDL



THIS DRAWING AND SPECIFICATIONS ARE THE PROPERTY OF DIGITAL EQUIPMENT CORPORATION AND SHALL NOT BE REPRODUCED OR COPIED OR USED IN WHOLE OR IN PART AS THE BASIS FOR THE MANUFACTURE OR SALE OF ITEMS WITHOUT WRITTEN PERMISSION. COPYRIGHT © 1983, DIGITAL EQUIPMENT CORPORATION.

REVISIONS		
CHK	CHANGE NO.	REV

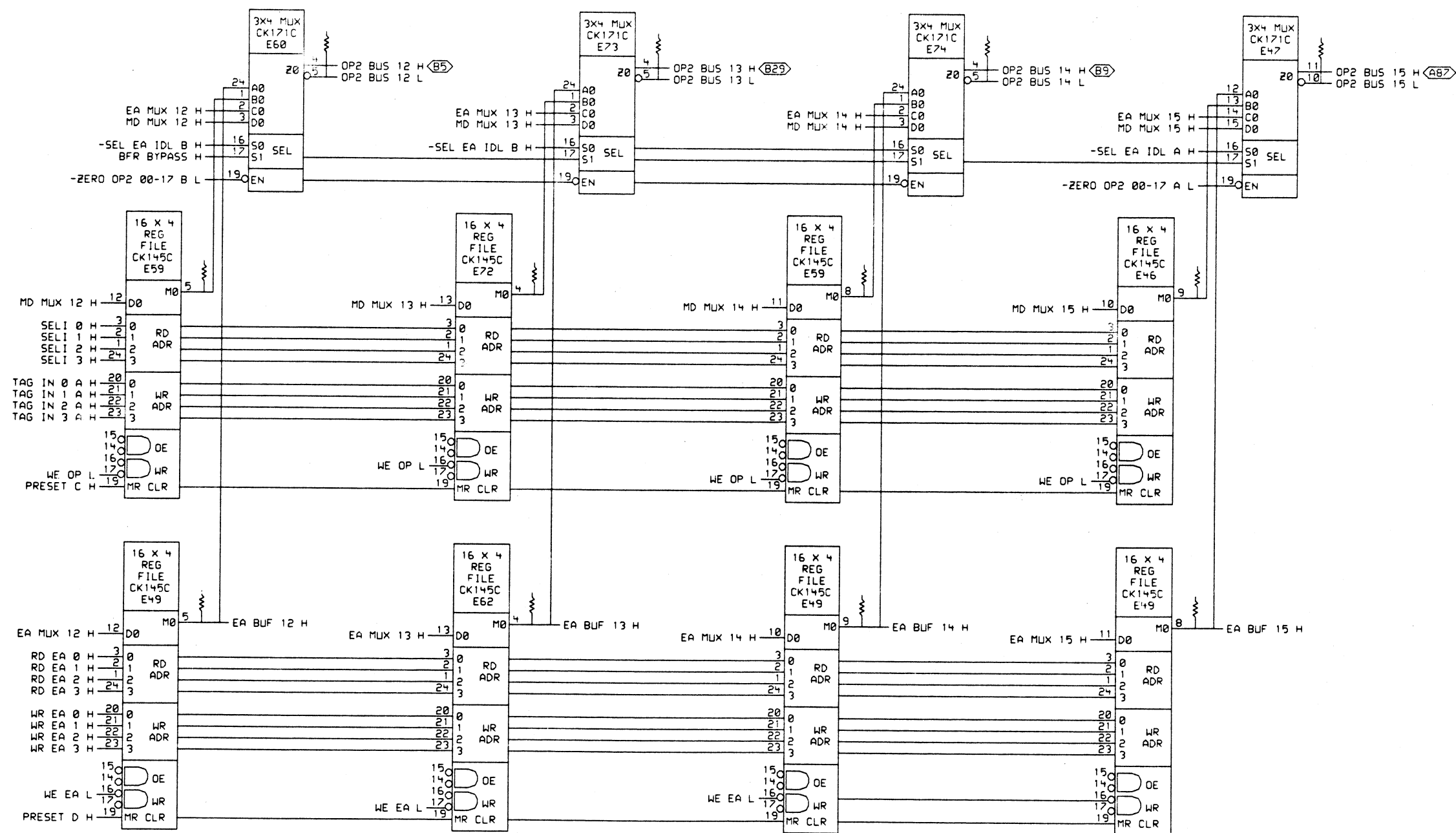
digital
 DATE 22-JAN-83
 TITLE: OP2 BUS 04-07
 BOARD LOCATION:
 SHEET OF
 SIZE CODE NUMBER REV.
 D CS L0055-0-IDL2



THIS DRAWING AND SPECIFICATIONS ARE THE PROPERTY OF DIGITAL EQUIPMENT CORPORATION AND SHALL NOT BE REPRODUCED OR COPIED OR USED IN WHOLE OR IN PART AS THE BASIS FOR THE MANUFACTURE OR SALE OF ITEMS WITHOUT WRITTEN PERMISSION. COPYRIGHT © 1983, DIGITAL EQUIPMENT CORPORATION.

REVISIONS	
CHK	CHANGE NO. REV

digital	DATE	ENG.	DATE	TITLE: OP2 BUS 08-11
	22-JAN-83			
	DATE	BOARD LOCATION:		
		SHEET		
FIRST USED ON OPTION/MODEL:		NEXT HIGHER ASSEMBLY:	SIZE CODE	NUMBER
			D CS	L0055-0-IDL3
			REV.	



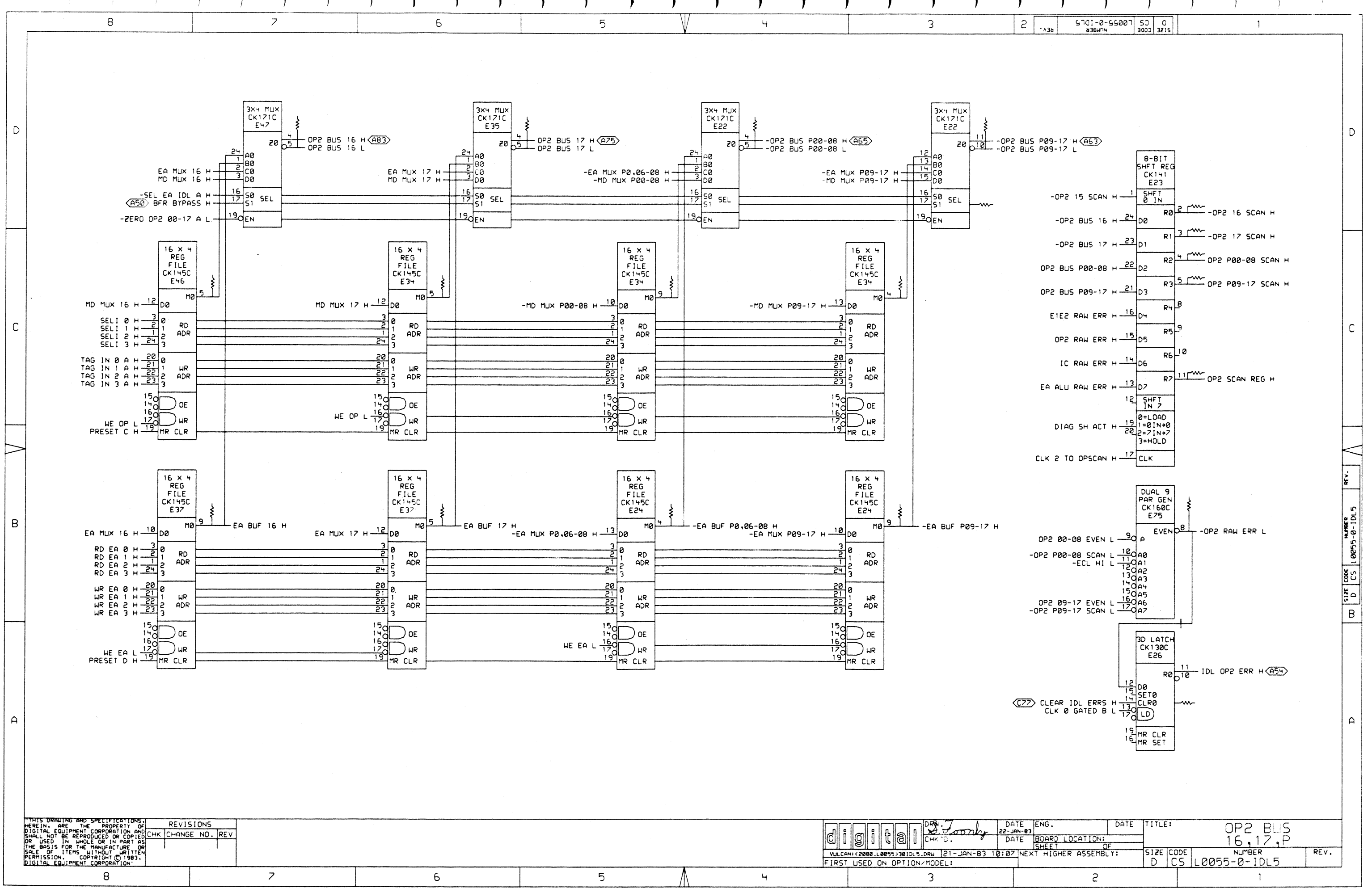
THIS DRAWING AND SPECIFICATIONS, HEREIN, ARE THE PROPERTY OF DIGITAL EQUIPMENT CORPORATION AND SHALL NOT BE REPRODUCED OR COPIED OR USED IN WHOLE OR IN PART AS THE BASIS FOR THE MANUFACTURE OR SALE OF ITEMS WITHOUT WRITTEN PERMISSION. COPYRIGHT © 1983, DIGITAL EQUIPMENT CORPORATION.

REVISIONS	
CHK	CHANGE NO. REV

digital
VULCAN: (2000.L0055)30IDL4.DRW [21-JAN-83 09:25] NEXT HIGHER ASSEMBLY: FIRST USED ON OPTION/MODEL:

DATE ENG. 22-JAN-83
DATE BOARD LOCATION: SHEET OF

TITLE: OP2 BUS 12-15
SIZE CODE D CS NUMBER L0055-0-IDL4 REV.

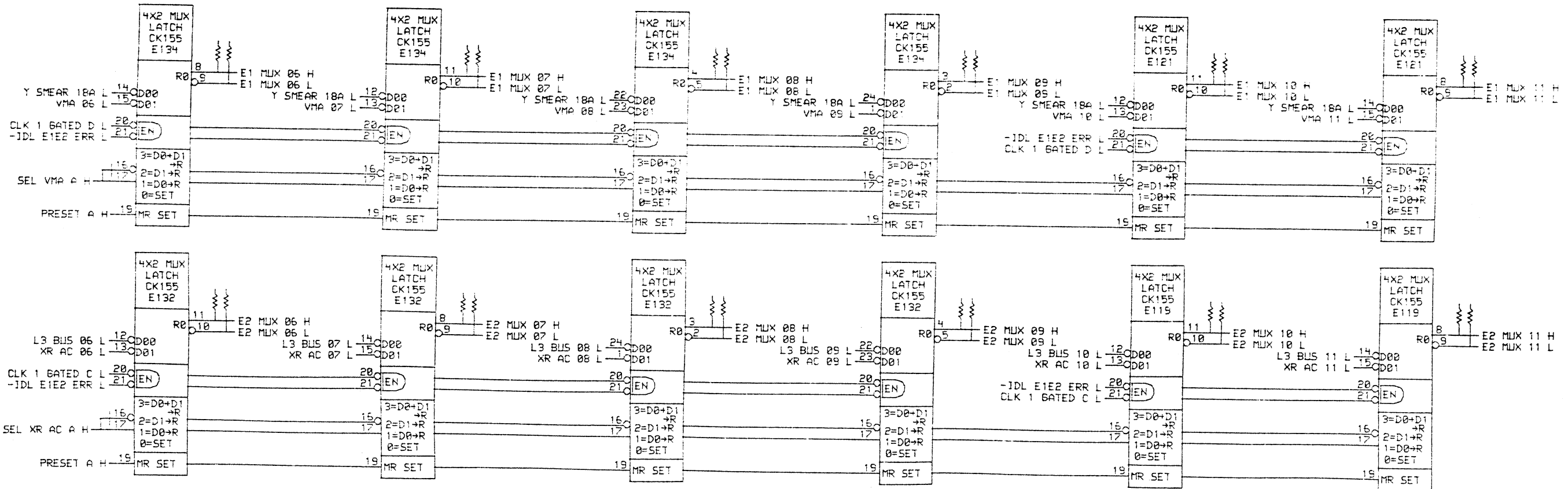
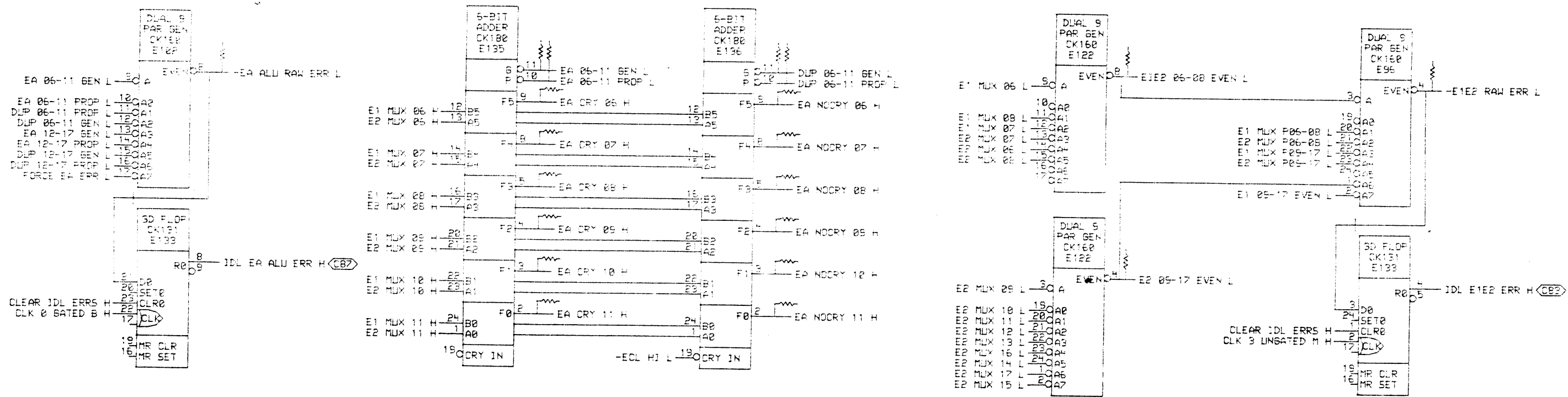


THIS DRAWING AND SPECIFICATIONS ARE THE PROPERTY OF DIGITAL EQUIPMENT CORPORATION AND SHALL NOT BE REPRODUCED OR COPIED OR USED IN WHOLE OR IN PART AS THE BASIS FOR THE MANUFACTURE OR SALE OF ITEMS WITHOUT WRITTEN PERMISSION. COPYRIGHT © 1983, DIGITAL EQUIPMENT CORPORATION.

REVISIONS		
CHK	CHANGE NO.	REV

	DATE	22-JAN-83	ENG.		DATE		TITLE:	OP2 BUS
								16, 17, P
VULCAN: $\langle 2000.L0055 \rangle 30IDL5.DRW$		21-JAN-83 10:07		NEXT HIGHER ASSEMBLY:		SIZE CODE		D CS L0055-0-IDL5
FIRST USED ON OPTION/MODEL:						NUMBER		
						REV.		

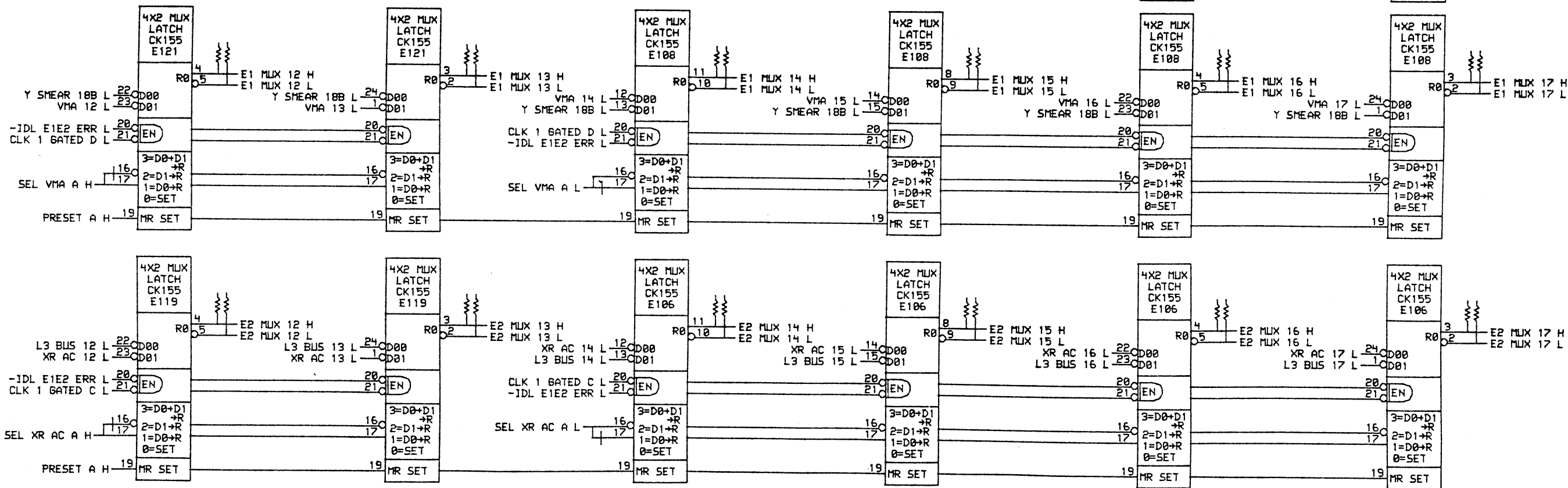
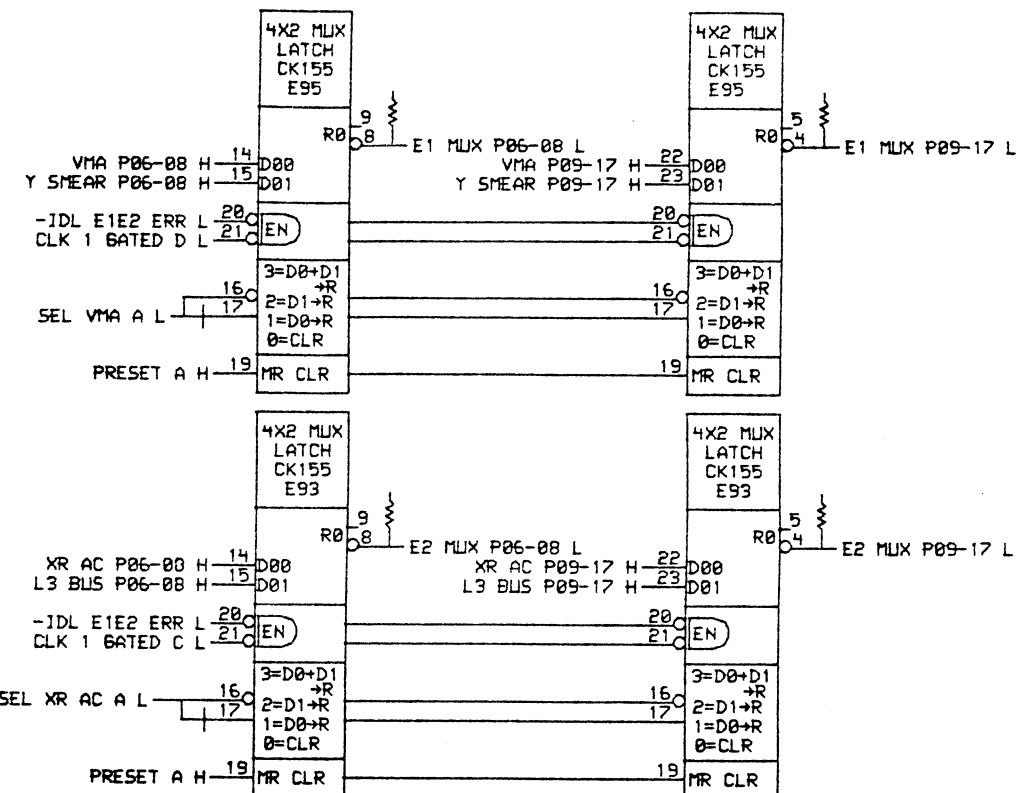
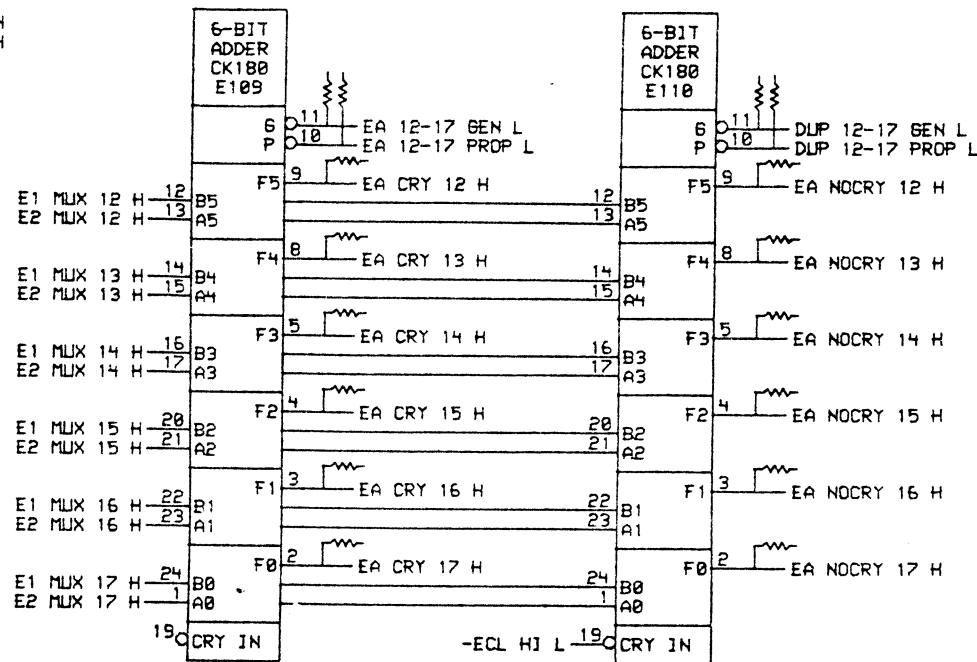
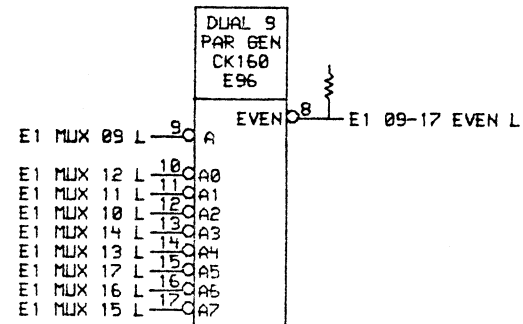
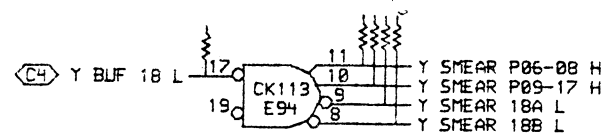
REV. NUMBER L0055-0-IDL5

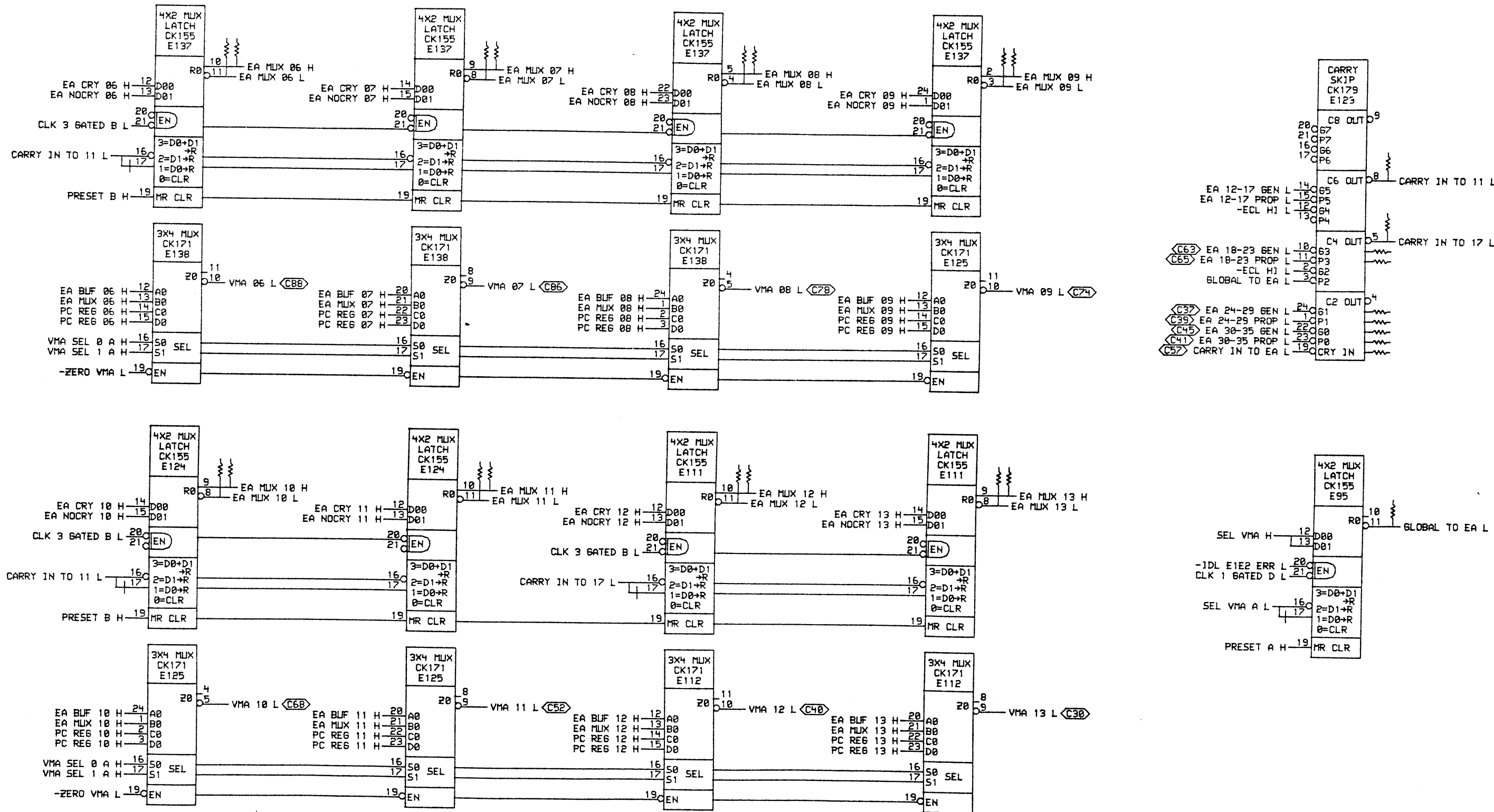


THIS DRAWING AND SPECIFICATIONS ARE THE PROPERTY OF DIGITAL EQUIPMENT CORPORATION AND SHALL NOT BE REPRODUCED OR COPIED OR USED IN WHOLE OR IN PART AS THE BASIS FOR THE MANUFACTURE OR SALE OF ITEMS WITHOUT WRITTEN PERMISSION. COPYRIGHT © 1982. DIGITAL EQUIPMENT CORPORATION.

REVISIONS	
CHK	CHANGE NO. REV

digital	DATE	ENG.	DATE	TITLE: EA ALU 06-11
	04 JAN 82			
VLSI CANON 2002.1.0055-11DL6.DRW 113-AUG-81 09:42		BOARD LOCATION:		
NEXT HIGHER ASSEMBLY:		SHEET		
SIZE	CODE	NUMBER	REV.	

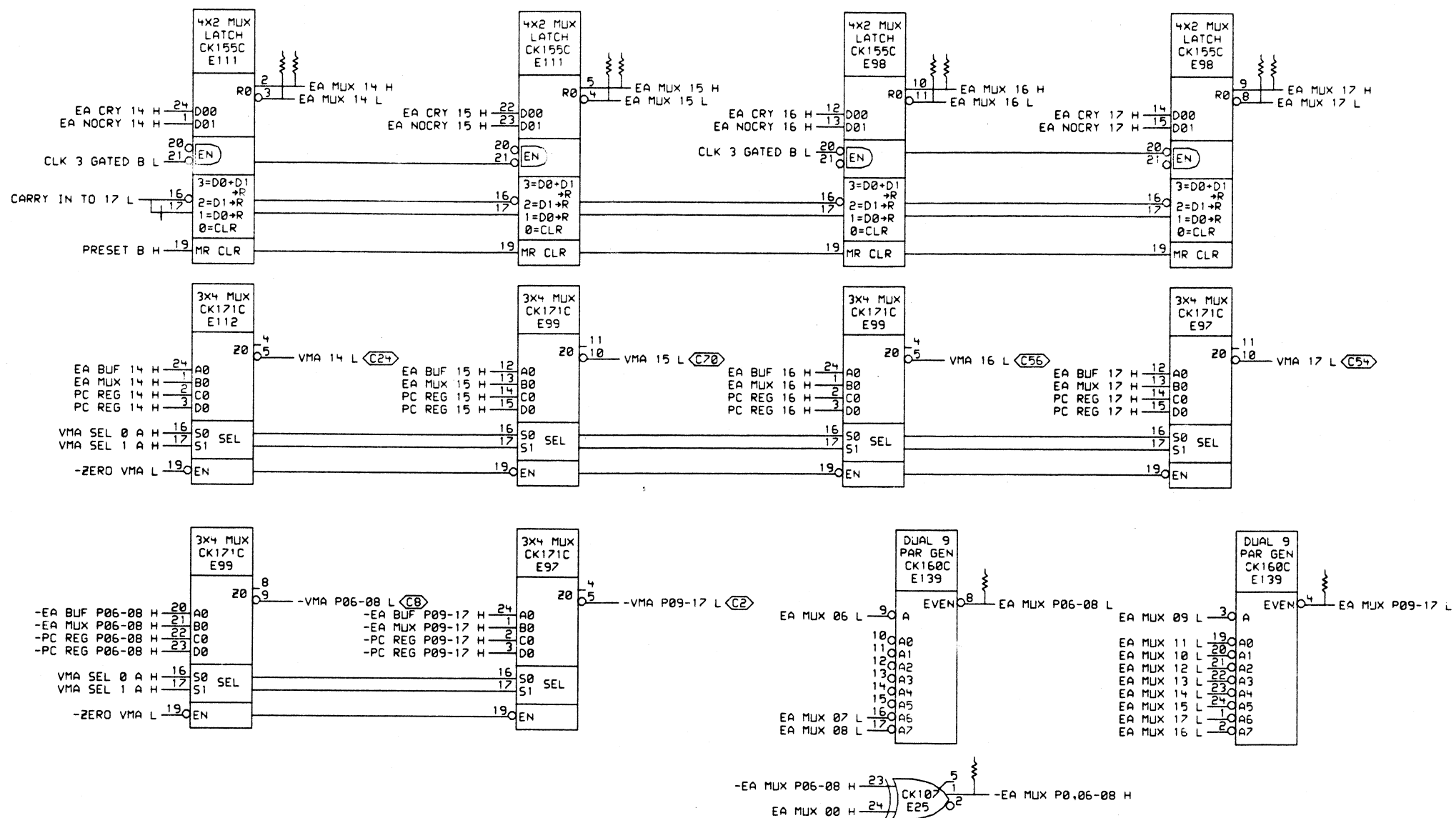




THIS DRAWING AND SPECIFICATIONS ARE THE PROPERTY OF DIGITAL EQUIPMENT CORPORATION AND SHALL NOT BE REPRODUCED OR COPIED IN WHOLE OR IN PART AS BASIS FOR THE MANUFACTURE OR REPRODUCTION OF ANY ITEM WITHOUT WRITTEN PERMISSION. COPYRIGHT © 1982 DIGITAL EQUIPMENT CORPORATION.

REVISIONS	
CHK	CHANGE NO. REV

digital	DATE	ENG.	DATE	TITLE:
	01-FEB-82			VMA 06-13
CHK'D.	DATE	BOARD LOCATION:	SHEET	OF
VLL:CAM (2006.L0055)131DLB.DRW	02-FEB-82 15:18	NEXT HIGHER ASSEMBLY:	SIZE	CODE
FIRST USED ON OPTION/MODEL:			D	C5
			NUMBER	REV.
			L0055-0-IDL8	



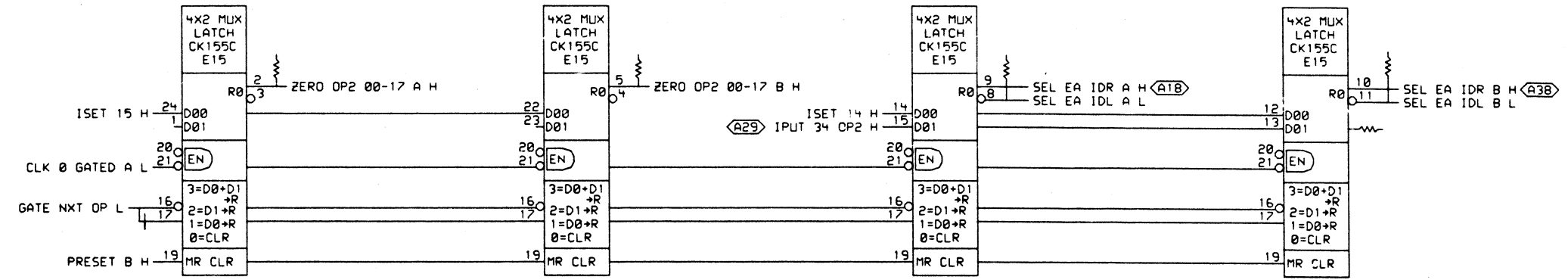
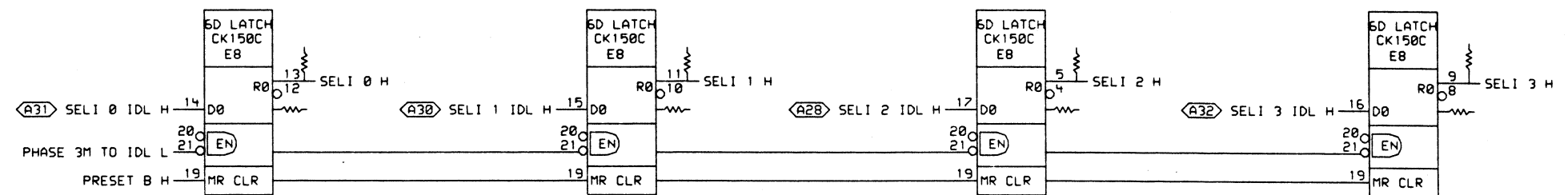
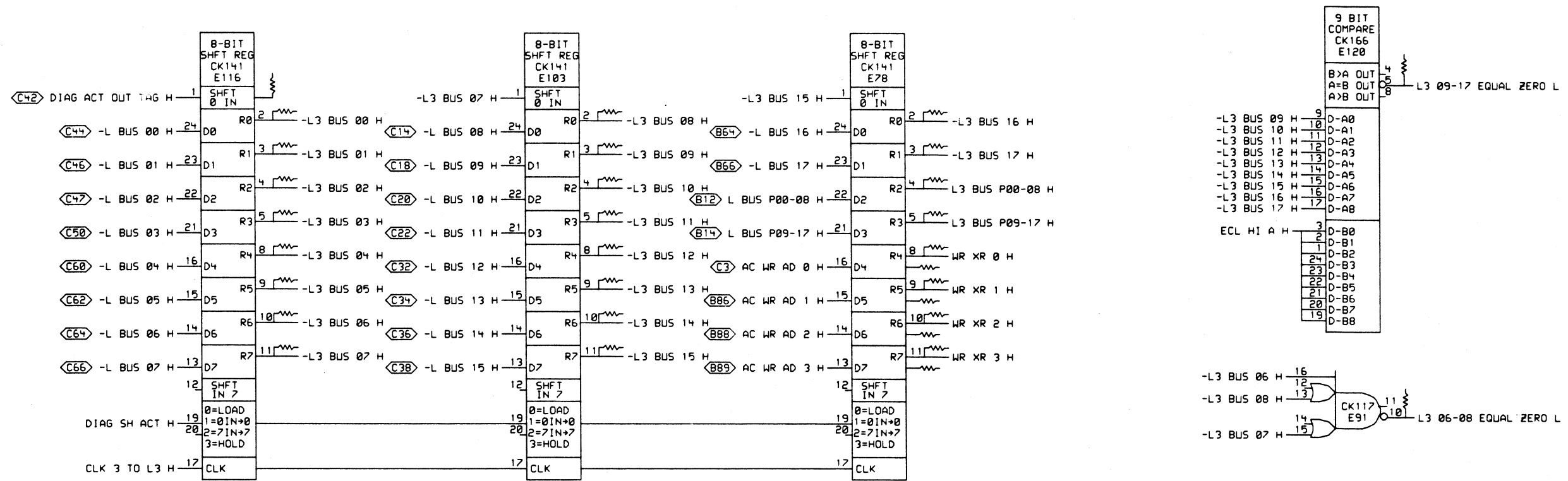
THIS DRAWING AND SPECIFICATIONS ARE THE PROPERTY OF DIGITAL EQUIPMENT CORPORATION AND SHALL NOT BE REPRODUCED OR COPIED OR USED IN WHOLE OR IN PART AS THE BASIS FOR THE MANUFACTURE OR SALE OF ITEMS WITHOUT WRITTEN PERMISSION. COPYRIGHT © 1983, DIGITAL EQUIPMENT CORPORATION.

REVISIONS	
CHK	CHANGE NO. REV

digital
VULCAN: <2080.L0055>30IDL9.DRW 21-JAN-83 12:15
FIRST USED ON OPTION/MODEL:

DATE ENG. DATE
22-JAN-83
BOARD LOCATION:
SHEET OF

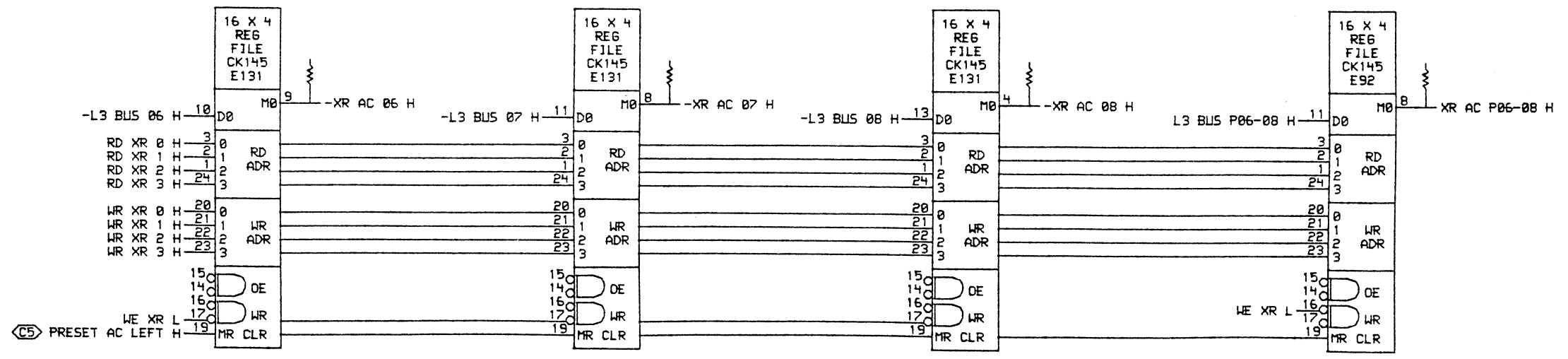
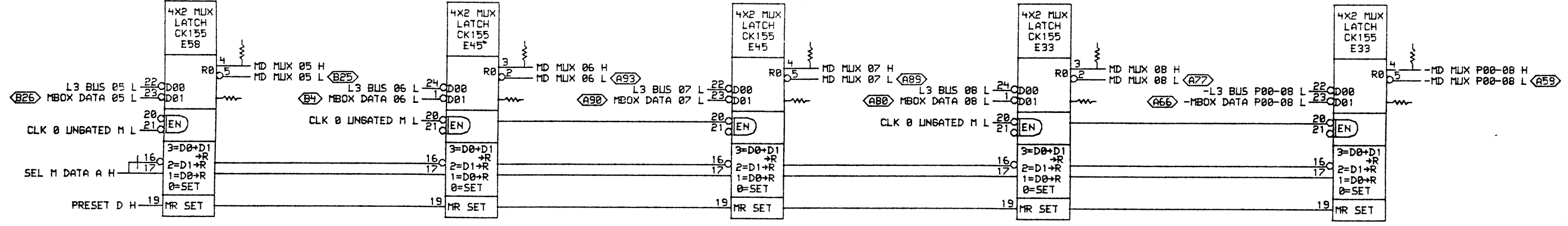
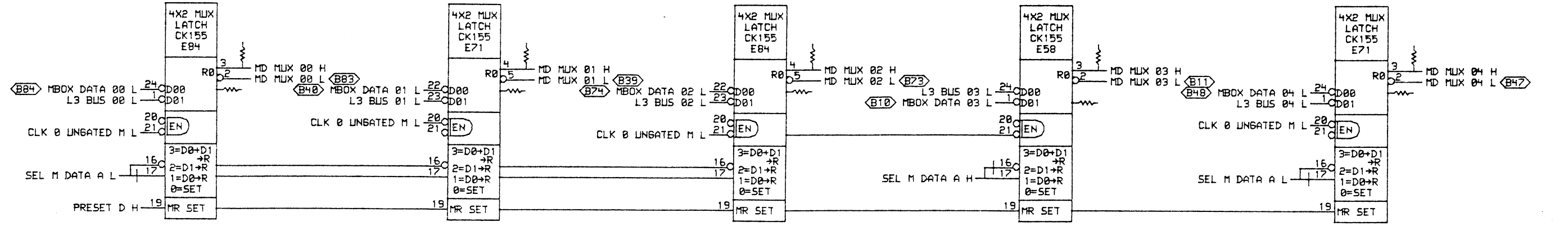
TITLE: VMA 14-17, P
SIZE CODE NUMBER REV.
D CS L0055-0-IDL9



THIS DRAWING AND SPECIFICATIONS, HEREIN, ARE THE PROPERTY OF DIGITAL EQUIPMENT CORPORATION AND SHALL NOT BE REPRODUCED OR COPIED OR USED IN WHOLE OR IN PART AS THE BASIS FOR THE MANUFACTURE OR SALE OF ITEMS WITHOUT WRITTEN PERMISSION. COPYRIGHT © 1982. DIGITAL EQUIPMENT CORPORATION.

REVISIONS		
CHK	CHANGE NO.	REV

	DATE	10-DEC-82	ENG.	DATE	TITLE:
	CHK'D.				L3 BUS TO XR STORE
VULCAN: (2888.L0055)151DLA.DRW FIRST USED ON OPTION/MODEL:	DATE	09-DEC-82	10:39	NEXT HIGHER ASSEMBLY:	
	SIZE	D	CODE	CS	NUMBER
					L0055-0-IDLA
					REV.



THIS DRAWING AND SPECIFICATIONS ARE THE PROPERTY OF DIGITAL EQUIPMENT CORPORATION AND SHALL NOT BE REPRODUCED OR COPIED OR USED IN WHOLE OR IN PART AS THE BASIS FOR THE MANUFACTURE OR SALE OF ITEMS WITHOUT WRITTEN PERMISSION. COPYRIGHT © 1982, DIGITAL EQUIPMENT CORPORATION.

REVISIONS	
CHK	CHANGE NO. REV

DATE	ENG.	DATE	TITLE:
04-FEB-82			XR, MD 00-08
DATE	BOARD LOCATION:	SHEET	OF
FIRST USED ON OPTION/MODEL:		NEXT HIGHER ASSEMBLY:	

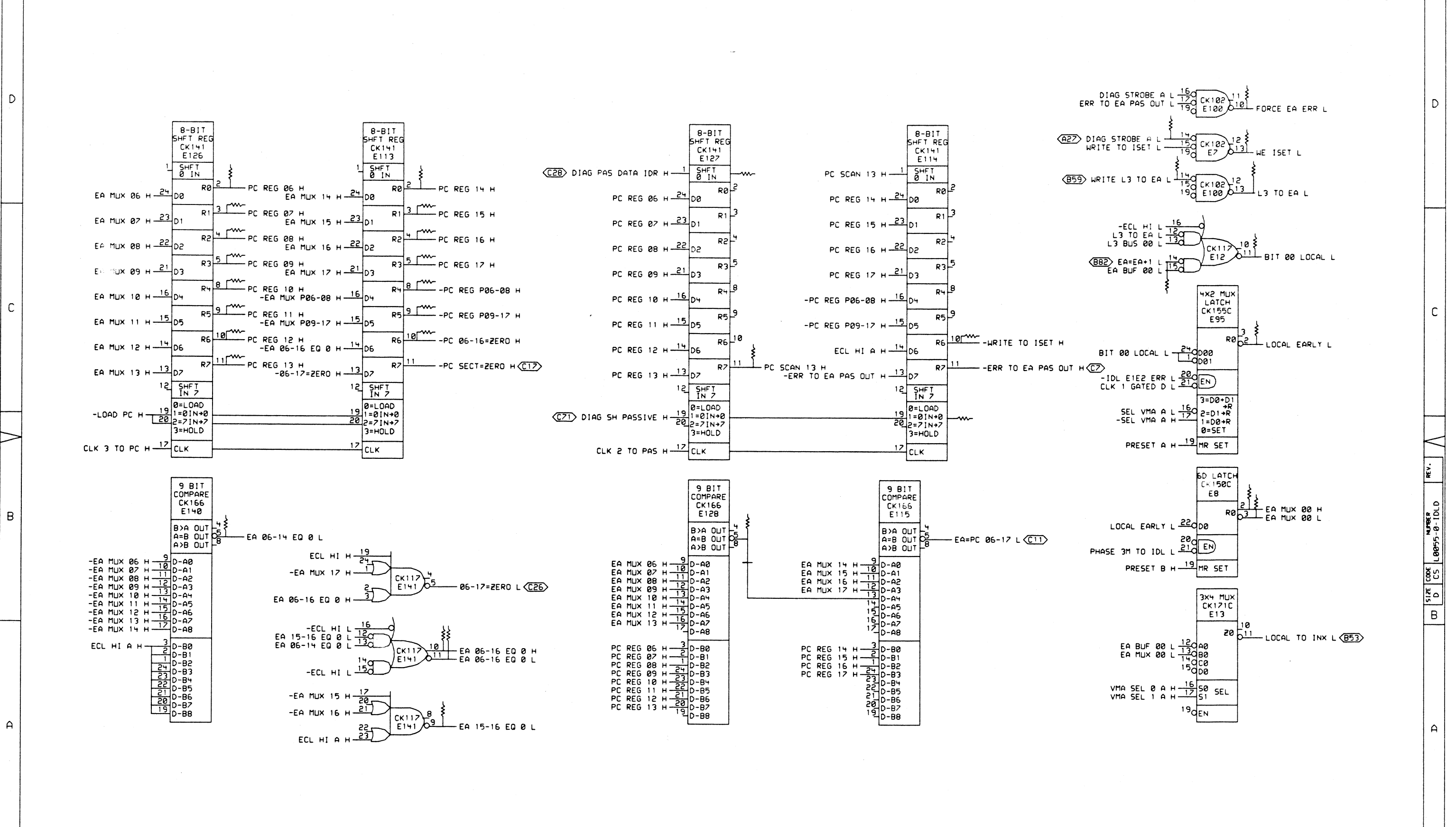
SIZE	CODE	NUMBER	REV.
D	CS	L0055-0-IDLB	



THIS DRAWING AND SPECIFICATIONS HEREIN ARE THE PROPERTY OF DIGITAL EQUIPMENT CORPORATION AND SHALL NOT BE REPRODUCED OR COPIED IN WHOLE OR IN PART AS THE BASIS FOR THE MANUFACTURE OR SALE OF ITEMS WITHOUT WRITTEN PERMISSION. COPYRIGHT © 1982, DIGITAL EQUIPMENT CORPORATION.

REVISIONS		
CHK	CHANGE NO.	REV

	DATE: 01-FEB-82	ENG.:	DATE:	TITLE: XR, MD 09-17
	CHK'D.:	DATE:	BOARD LOCATION:	P09-17
V.L. CAN: (2000.L0055)131DL.C.DRW 03-FEB-82 15:57		NEXT HIGHER ASSEMBLY:		SIZE CODE: D CS
FIRST USED ON OPTION/MODEL:		NUMBER: L0055-0-IDLC		REV.:



THIS DRAWING AND SPECIFICATIONS ARE THE PROPERTY OF DIGITAL EQUIPMENT CORPORATION AND SHALL NOT BE REPRODUCED OR COPIED OR USED IN WHOLE OR IN PART AS THE BASIS FOR THE MANUFACTURE OR SALE OF ITEMS WITHOUT WRITTEN PERMISSION. COPYRIGHT © 1983, DIGITAL EQUIPMENT CORPORATION.

REVISIONS		
CHK	CHANGE NO.	REV

digital *J. J. J.* DATE 22-JAN-83 ENG. DATE TITLE: PC REG PC SCAN

VULCANI (2000) L0055-0-IDLD.DRW 21-JAN-83 12:44 NEXT HIGHER ASSEMBLY: SHEET OF

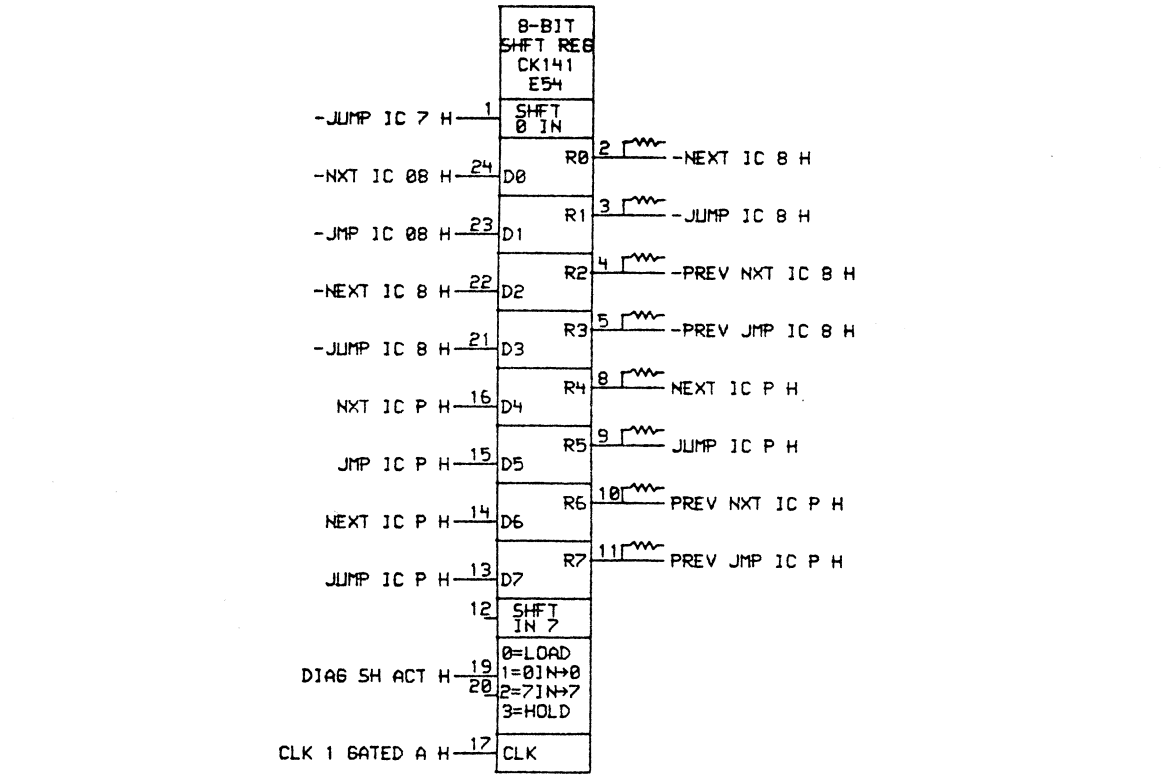
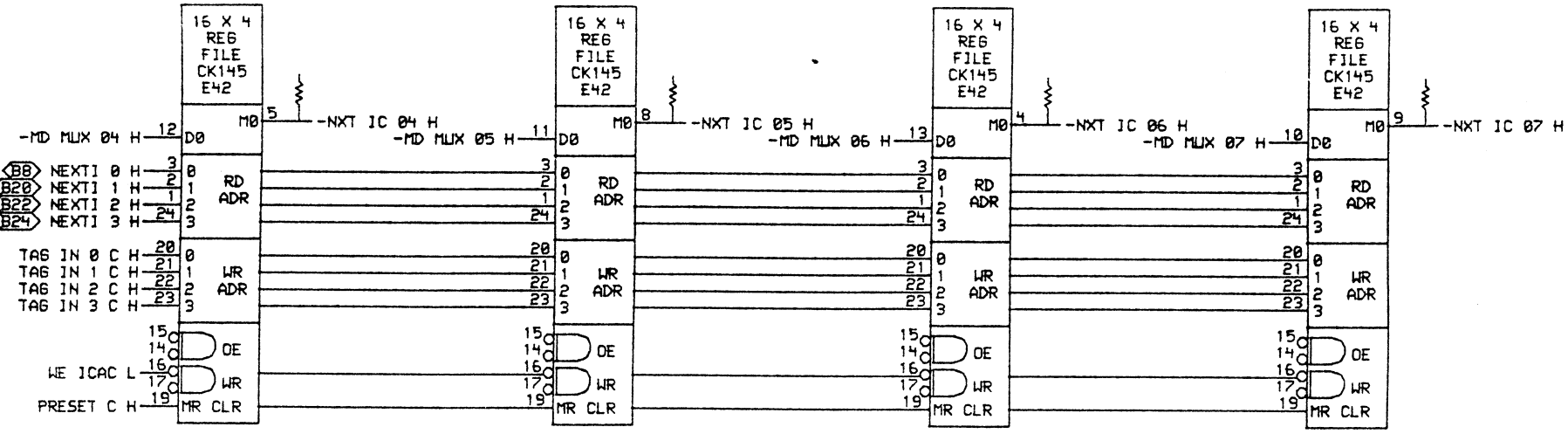
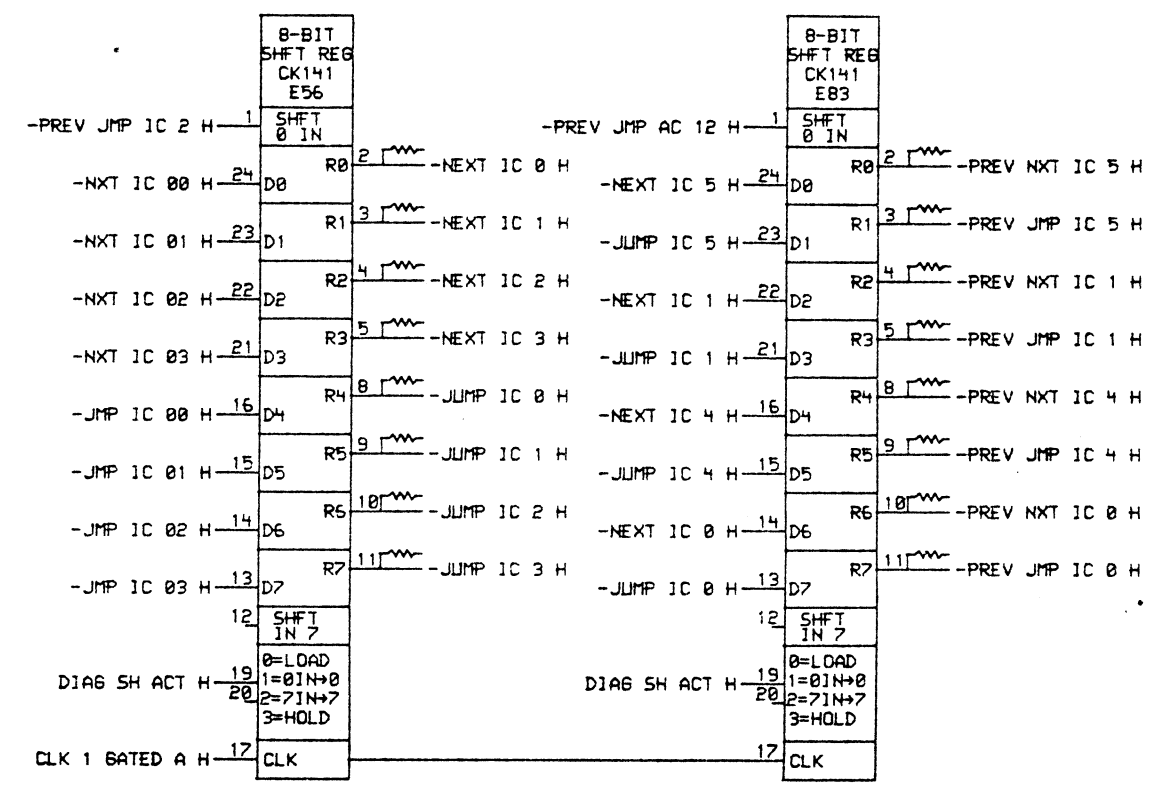
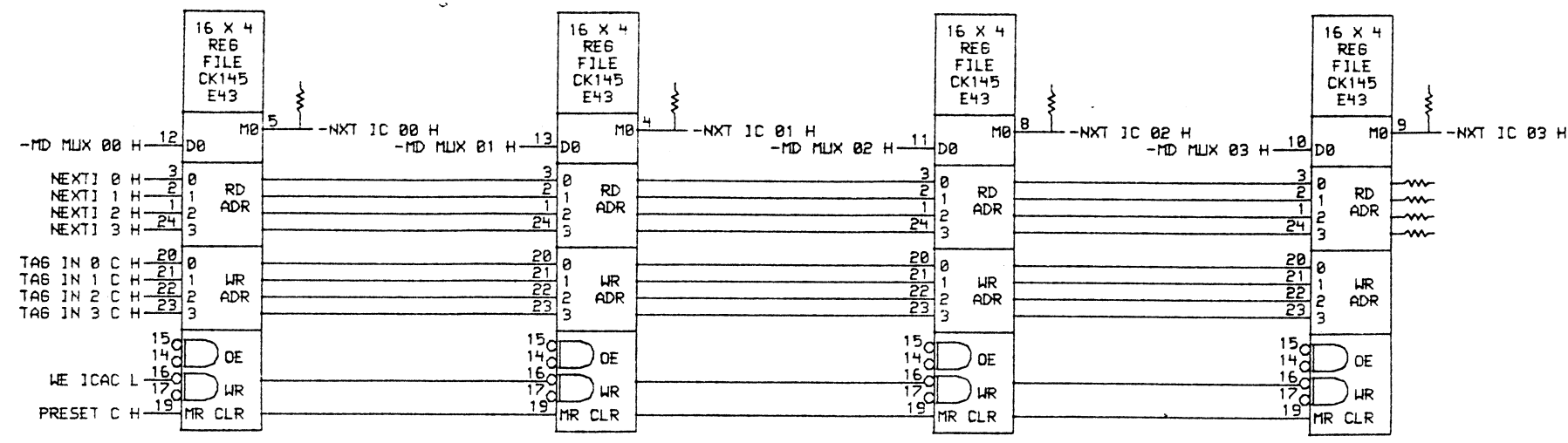
SIZE CODE NUMBER REV. D CS L0055-0-IDLD

D

C

B

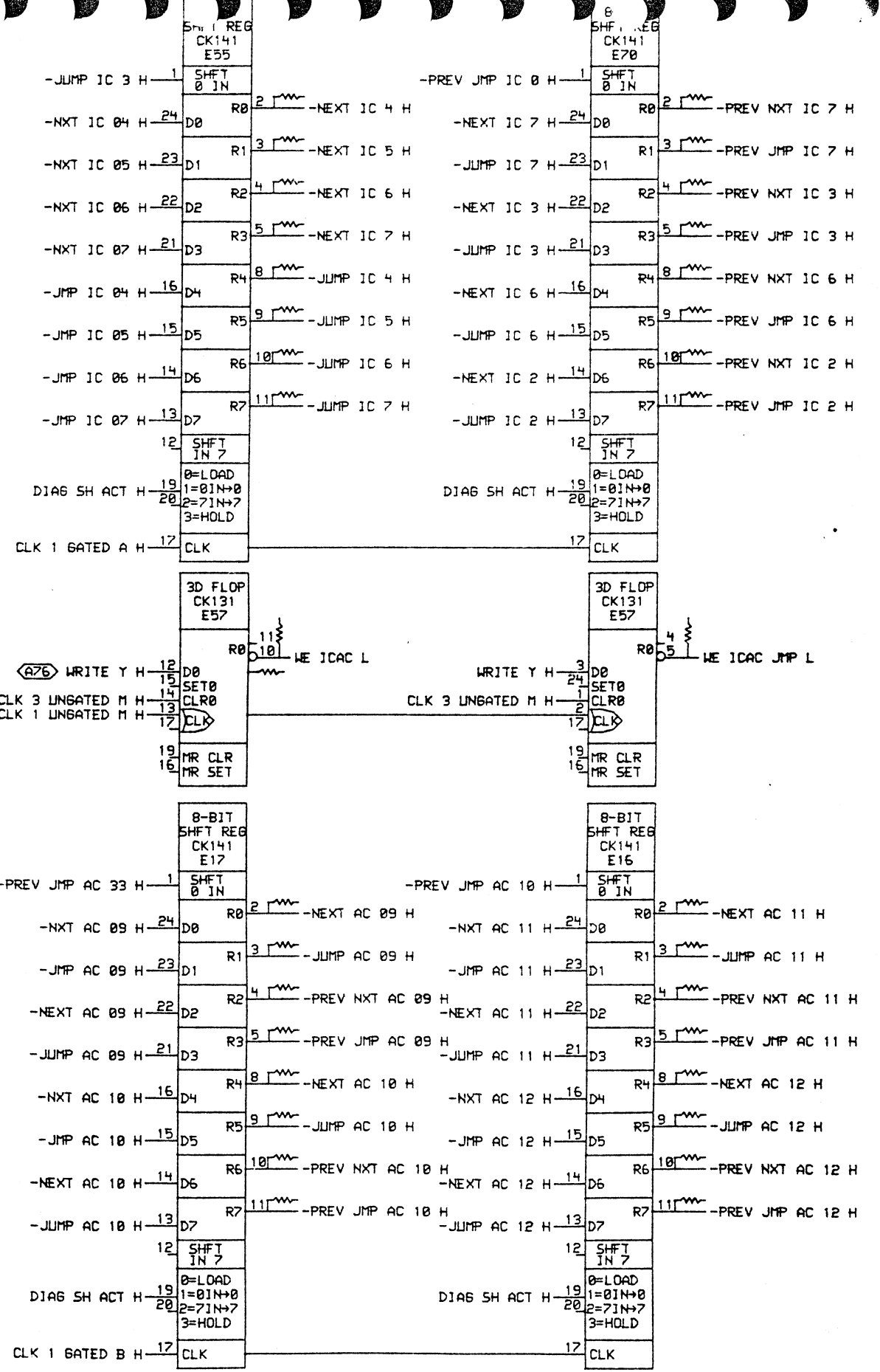
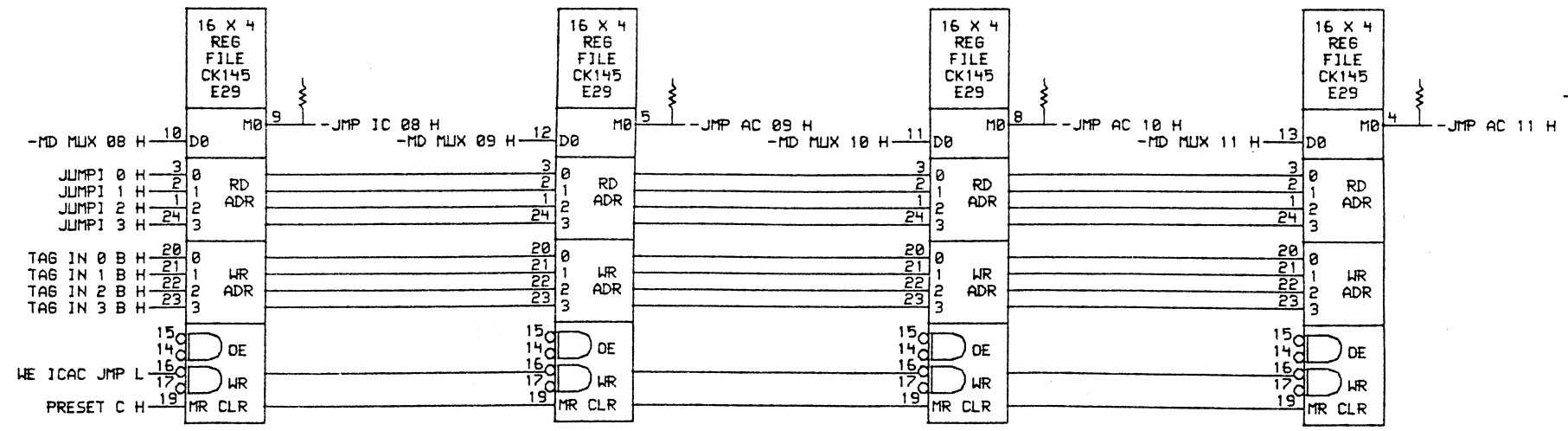
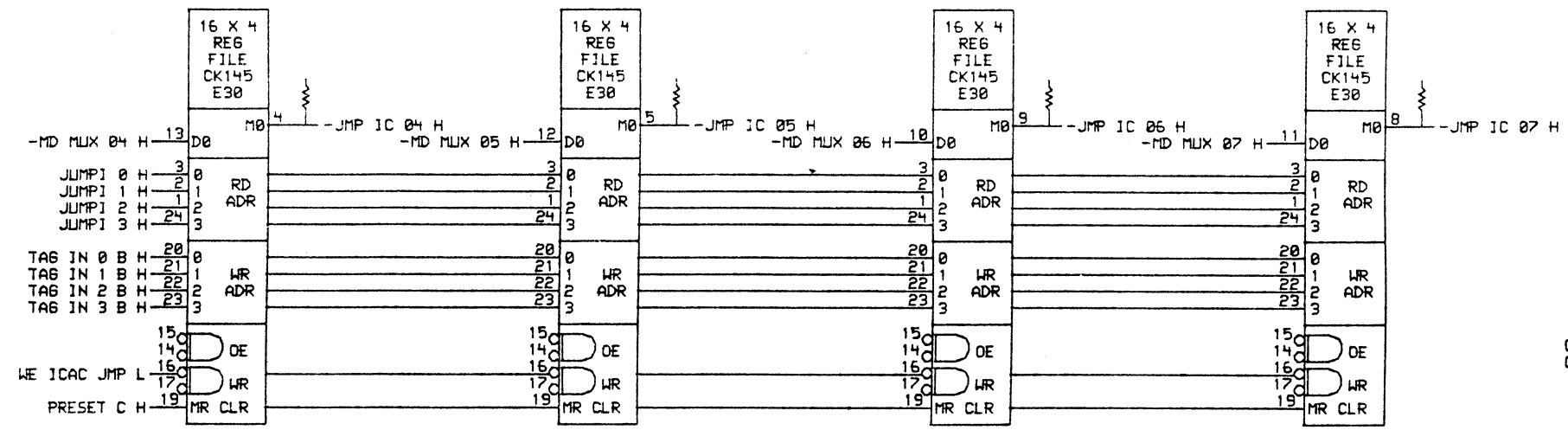
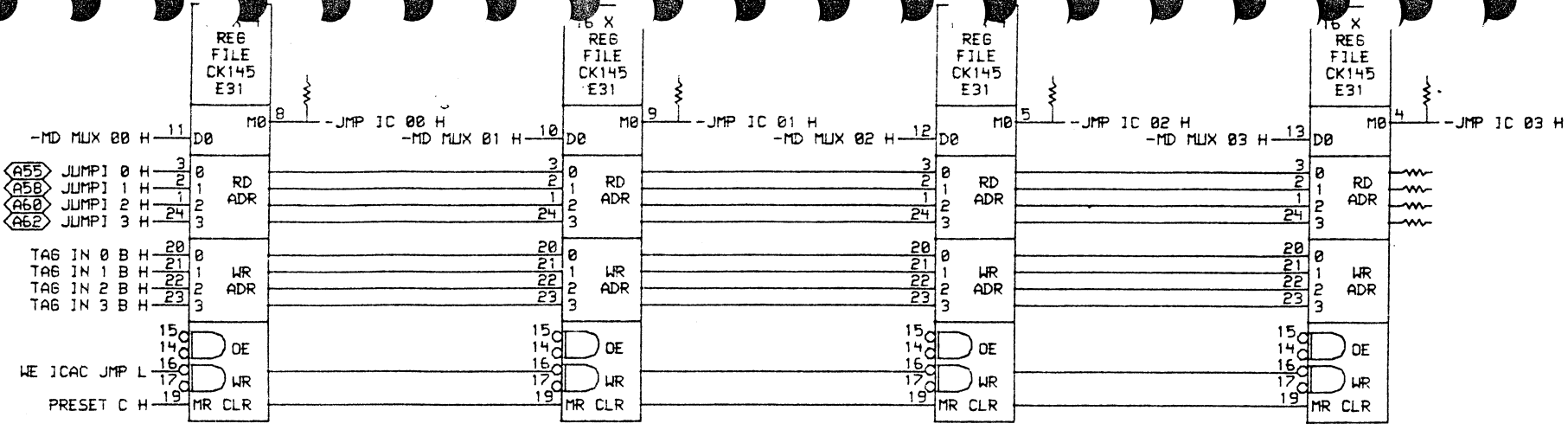
A



THIS DRAWING AND SPECIFICATIONS HEREIN ARE THE PROPERTY OF DIGITAL EQUIPMENT CORPORATION AND SHALL NOT BE REPRODUCED OR COPIED OR USED IN WHOLE OR IN PART AS THE BASIS FOR THE MANUFACTURE OR SALE OF ITEMS WITHOUT WRITTEN PERMISSION. COPYRIGHT © 1982, DIGITAL EQUIPMENT CORPORATION.

REVISIONS		
CHK	CHANGE NO.	REV

digital	DATE: 04-FEB-82	ENG.	DATE	TITLE: NEXT ICAC			
					CHK'D.	BOARD LOCATION: SHEET 1 OF 1	
FIRST USED ON OPTION/MODEL: 03-FEB-82 21:02				SIZE: D	CODE: C5	NUMBER: L0055-0-IDLF	REV.



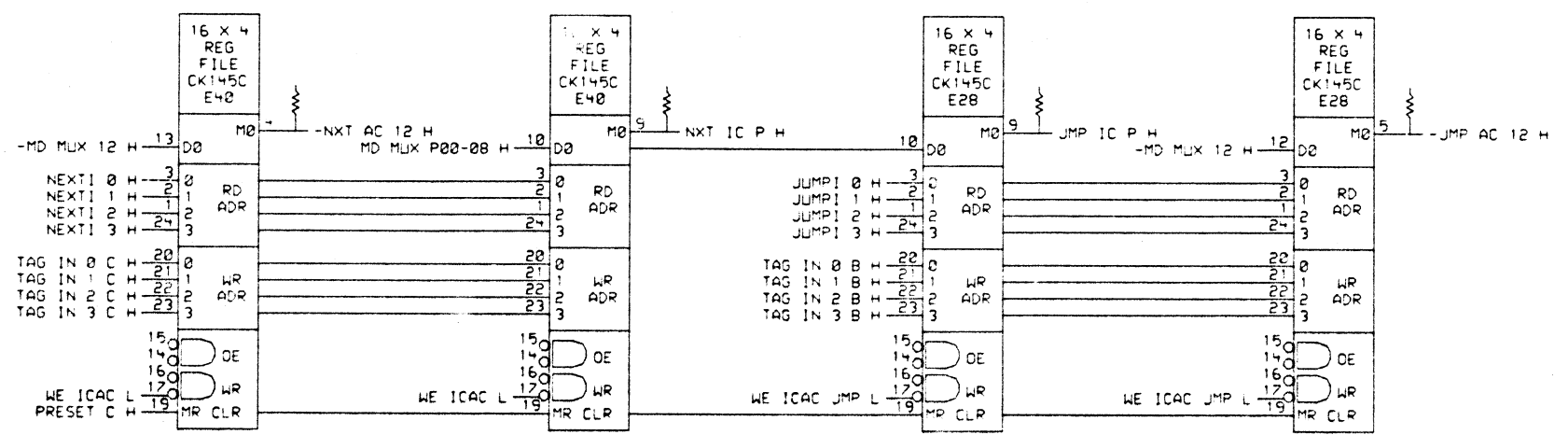
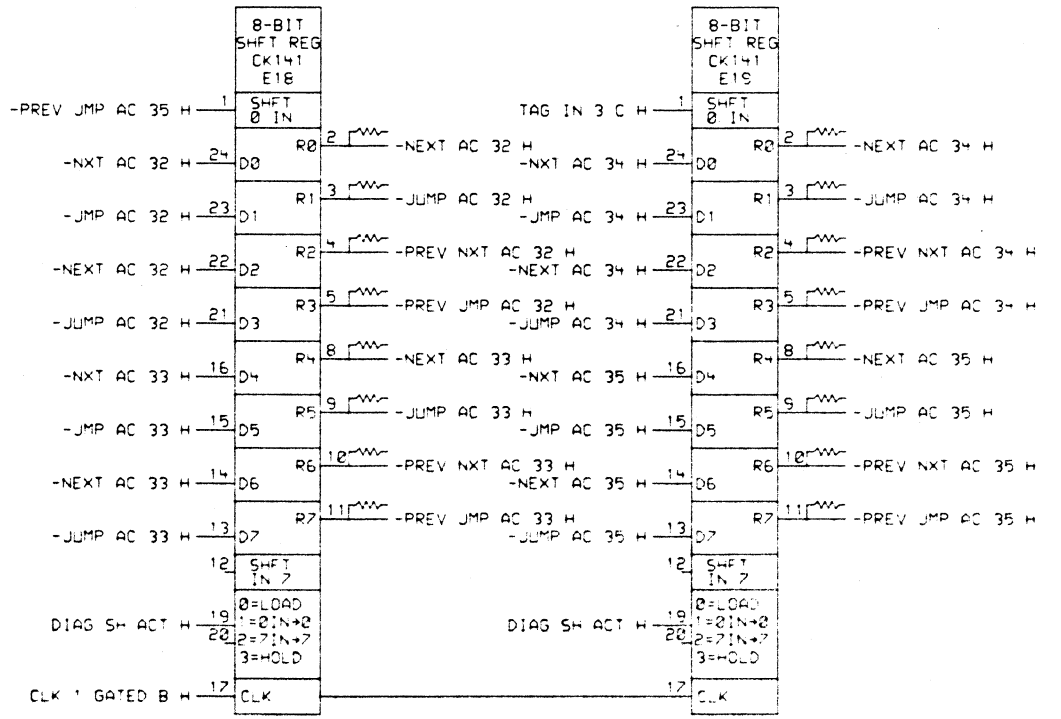
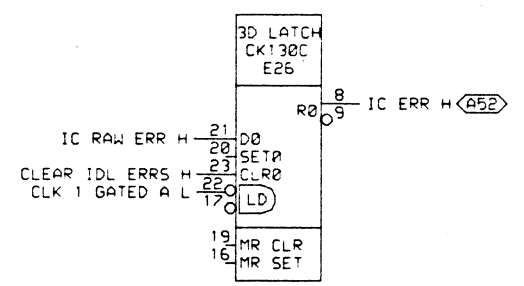
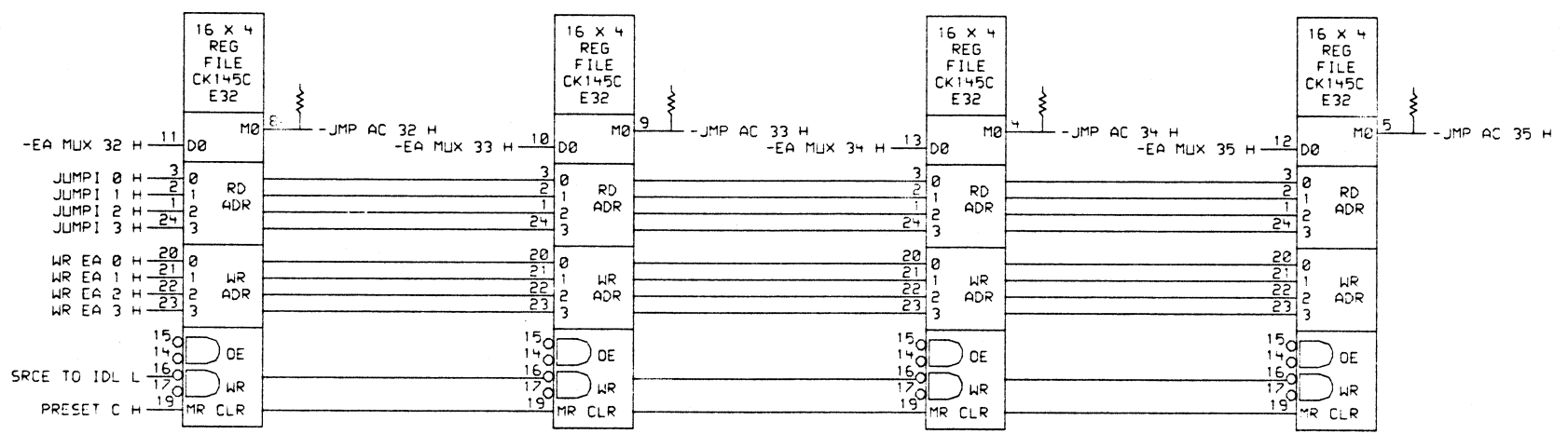
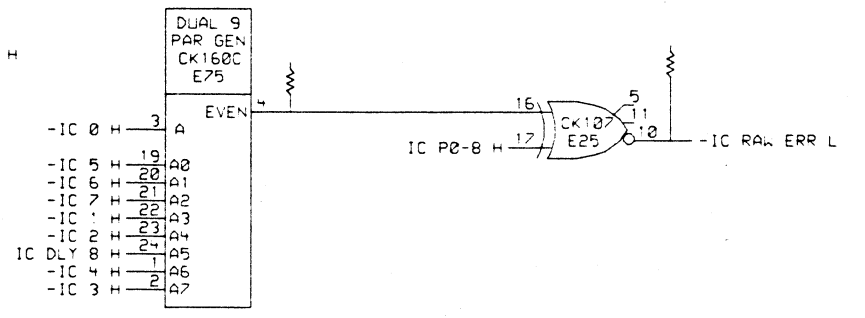
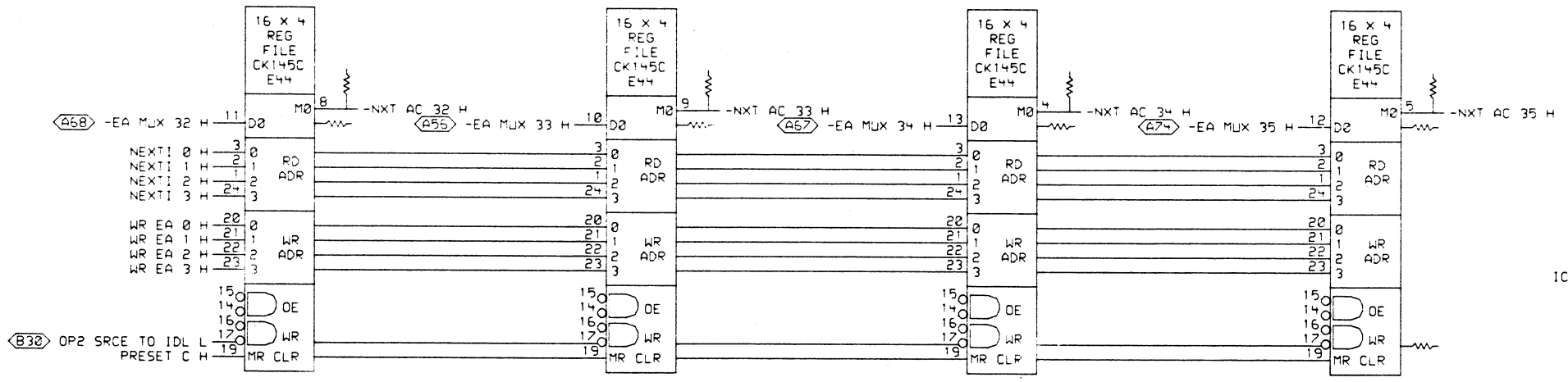
D
C
B
A

THIS DRAWING AND SPECIFICATIONS ARE THE PROPERTY OF DIGITAL EQUIPMENT CORPORATION AND SHALL NOT BE REPRODUCED OR COPIED OR USED IN WHOLE OR IN PART AS THE BASIS FOR THE MANUFACTURE OR SALE OF ITEMS WITHOUT WRITTEN PERMISSION. COPYRIGHT © 1982, DIGITAL EQUIPMENT CORPORATION.

REVISIONS		
CHK	CHANGE NO.	REV

digital	DRW. <i>J. Lashby</i>	DATE 01-FEB-82	ENG.	DATE	TITLE: JUMP ICAC
	CHK'D.	DATE	BOARD LOCATION:	SHEET	OF
V.L. CAN: <2000-L0055>131DL6.DRW		03-FEB-82 21:07	NEXT HIGHER ASSEMBLY:	SIZE CODE	NUMBER
FIRST USED ON OPTION/MODEL:				D CS	L0055-0-IDLG

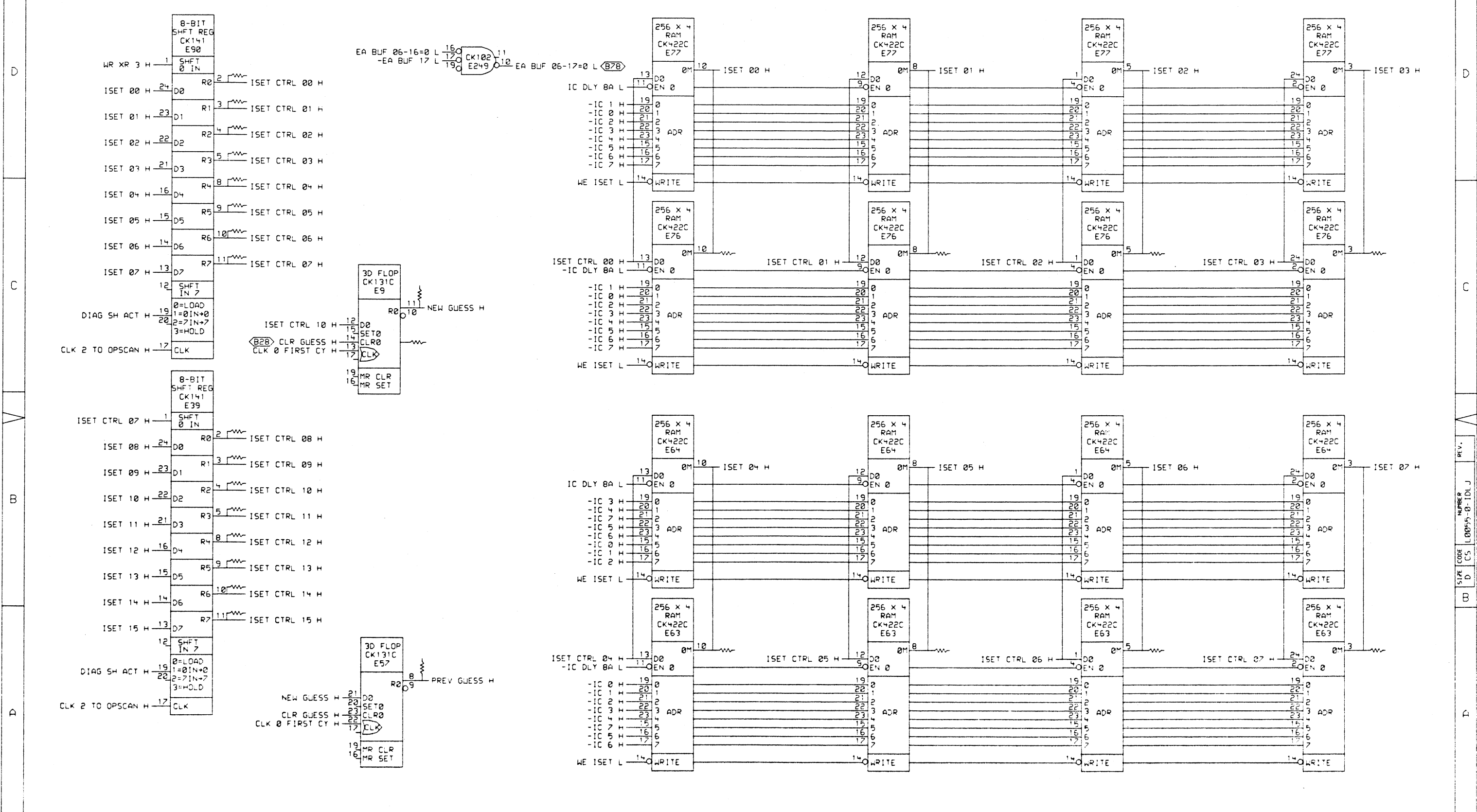
REV.	
------	--



THIS DRAWING AND SPECIFICATIONS ARE THE PROPERTY OF DIGITAL EQUIPMENT CORPORATION AND SHALL NOT BE REPRODUCED OR COPIED OR USED IN WHOLE OR IN PART AS THE BASIS FOR THE MANUFACTURE OR SALE OF ITEMS WITHOUT WRITTEN PERMISSION. COPYRIGHT © 1981. DIGITAL EQUIPMENT CORPORATION

REVISIONS	
CHG	NO. REV

DIGITAL	DATE: 08 JAN 81	ENG.:	DATE:	TITLE: OP2 AC
DESIGNED BY: J. J. J.	DATE: 08 JAN 81	BOARD LOCATION:	SAFETY:	NUMBER: D 05 L 0255-0-IDLH
FIRST USED ON OPTION/MODEL:	07-JAN-83 11:30	NEXT HIGHER ASSEMBLY:	SIZE: CDDP	REV.:



THIS DRAWING AND SPECIFICATIONS ARE THE PROPERTY OF DIGITAL EQUIPMENT CORPORATION AND SHALL NOT BE REPRODUCED OR COPIED IN WHOLE OR IN PART AS THE BASIS FOR THE MANUFACTURE OR SALE OF ITEMS WITHOUT WRITTEN PERMISSION. COPYRIGHT © 1967, DIGITAL EQUIPMENT CORPORATION.

REVISIONS	
CHK	CHANGE NO. REV

DATE: 28 JAN 67		DATE:		TITLE: ISET 00-07	
DRAWN BY: J. J. ...		CHECKED BY:		BOARD LOCATION:	
FIRST USED ON OPTION/MODEL:		NEXT HIGHER ASSEMBLY:		SIZE CODE: D CS	
				NUMBER: L0055-0-10LJ	
				REV.	

REV.
NUMBER L0055-0-10LJ
SIZE CODE D CS



<2080.L0056>12IDR1
<2080.L0056>IDR2
<2080.L0056>12IDR3
<2080.L0056>IDR4
<2080.L0056>12IDR5
<2080.L0056>12IDR6
<2080.L0056>12IDR7
<2080.L0056>12IDR8
<2080.L0056>1IDR9
<2080.L0056>IDRA
<2080.L0056>IDRB
<2080.L0056>IDRC
<2080.L0056>13IDRD
<2080.L0056>12IDRE
<2080.L0056>12IDRF
<2080.L0056>12IDRG
<2080.L0056>2IDRH
<2080.L0056>14IDRI
<2080.L0056>15IDRJ
<2080.L0056>4IDRK
<2080.L0056>17IDRL
<2080.L0056>17IDRM
<2080.L0056>IDRN

E141	E128	E115	E102	E090	E077	E064	E051	E039	E026	E013
E140	E127	E114	E101	E089	E076	E063	E050	E038	E025	E012

E139	E126	E113	E100	E088	E075	E062	E049	E037	E024	E011
E138	E125	E112	E099	E087	E074	E061	E048	E036	E023	E010

E137	E124	E111	E098	E086	E073	E060	E047	E035	E022	E009
E136	E123	E110	E097	E085	E072	E059	E046	E034	E021	E008

E135	E122	E109	E096	E084	E071	E058	E045	E033	E020	E007
E134	E121	E108	E095	E083	E070	E057	E044	E032	E019	E006

E133	E120	E107	E094	E082	E069	E056	E043	E031	E018	E005
E132	E119	E106	E093	E081	E068	E055	E042	E030	E017	E004

E131	E118	E105	E092	E080	E067	E054	E041	E029	E016	E003
------	------	------	------	------	------	------	------	------	------	------

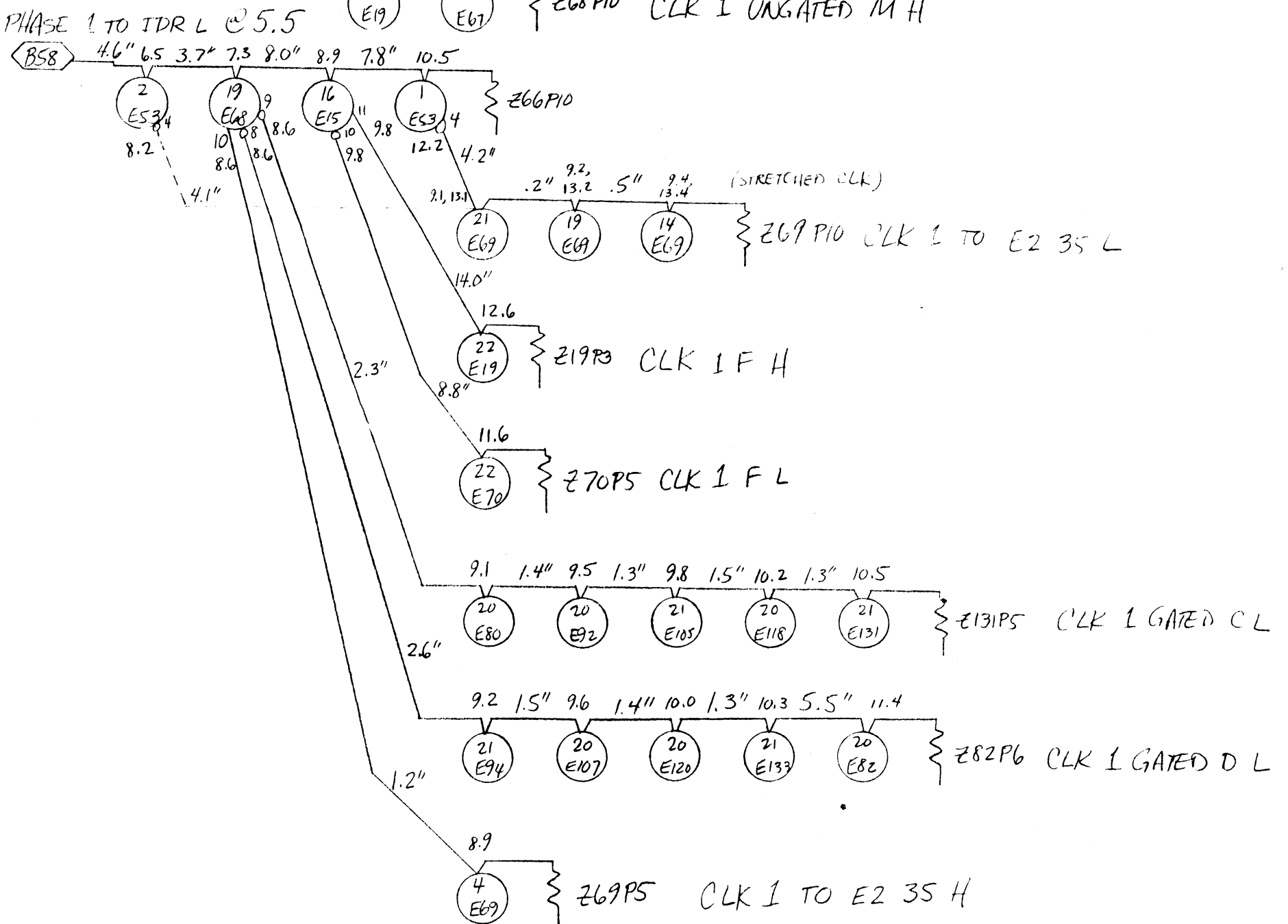
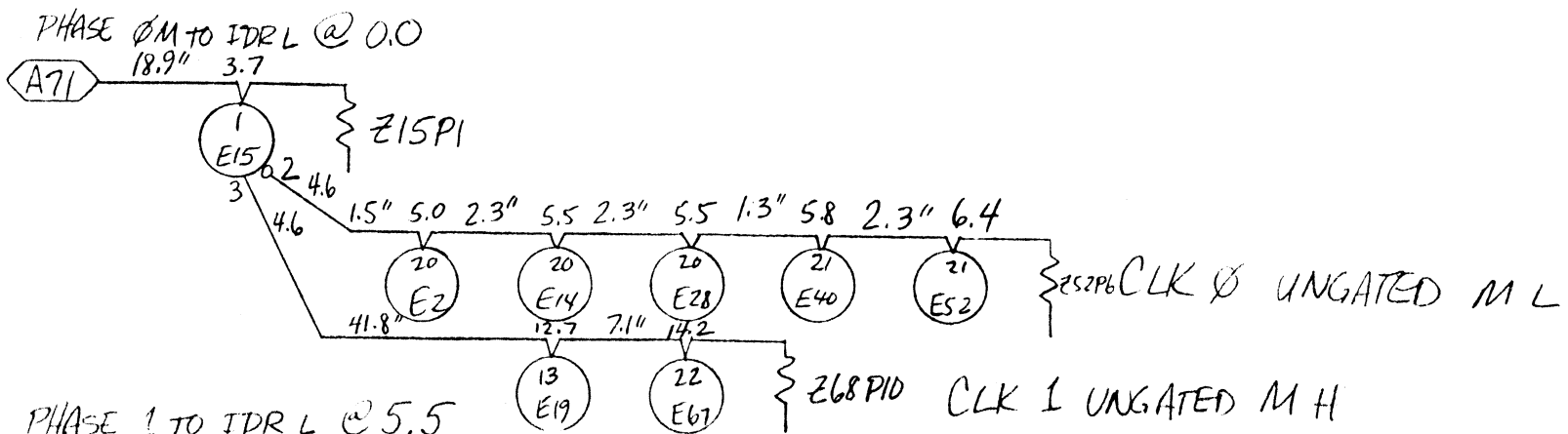
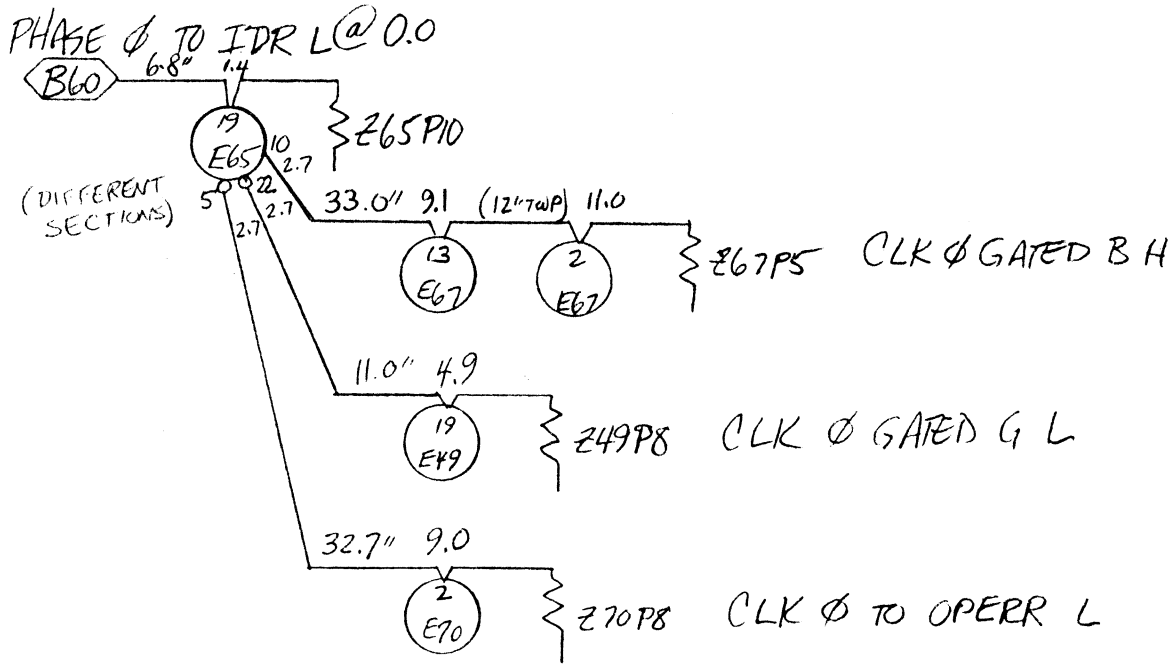
+ C095 + + C094 + + C093 + + C092 + + C091 + + C090 +

E130	E117	E104	E091	E079	E066	E053	E040	E028	E015	E002
E129	E116	E103	E078	E065	E052	E027	E014	E001		

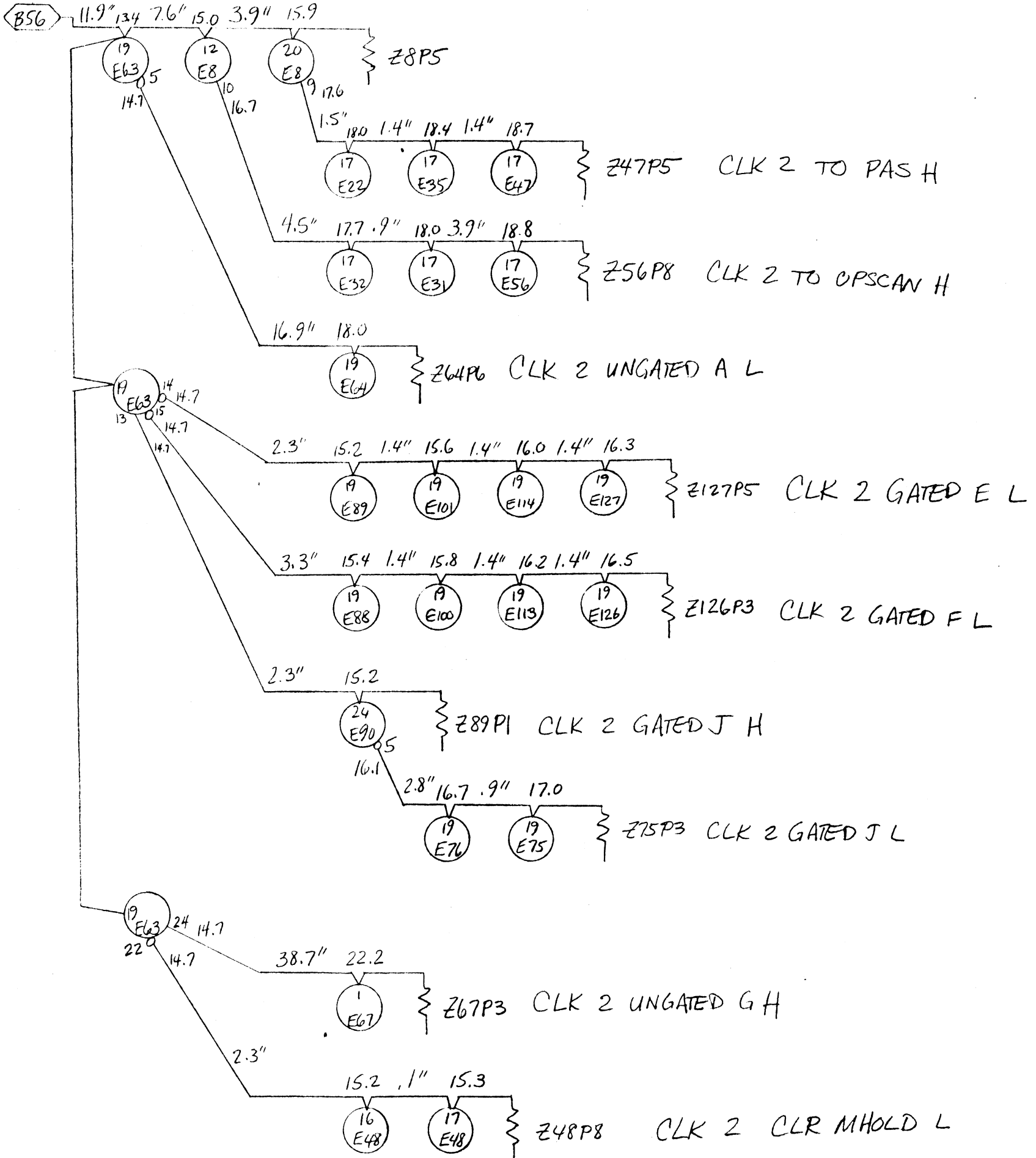
102

IDR BOARD CLOCK NETS
 AT ECO #17
 17 IDR.NET LIST USED AS
 SOURCE, CREATED 15-OCT-82
 KRCURCUM
 26-OCT-82

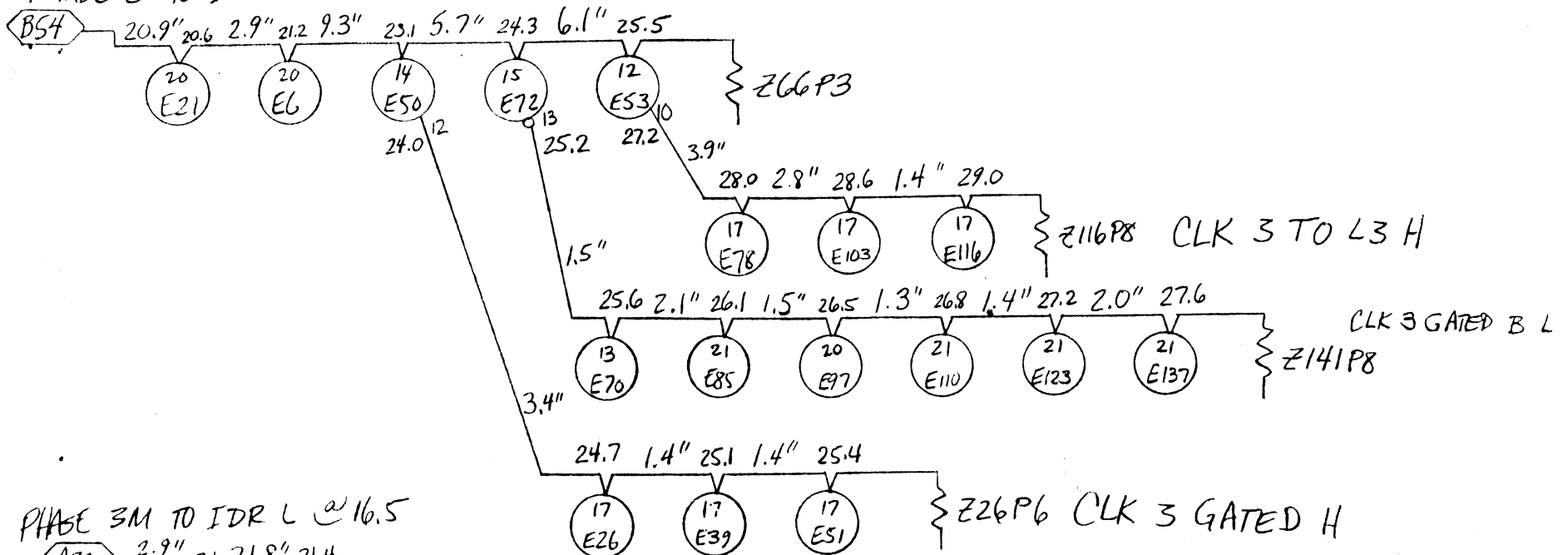
IDR



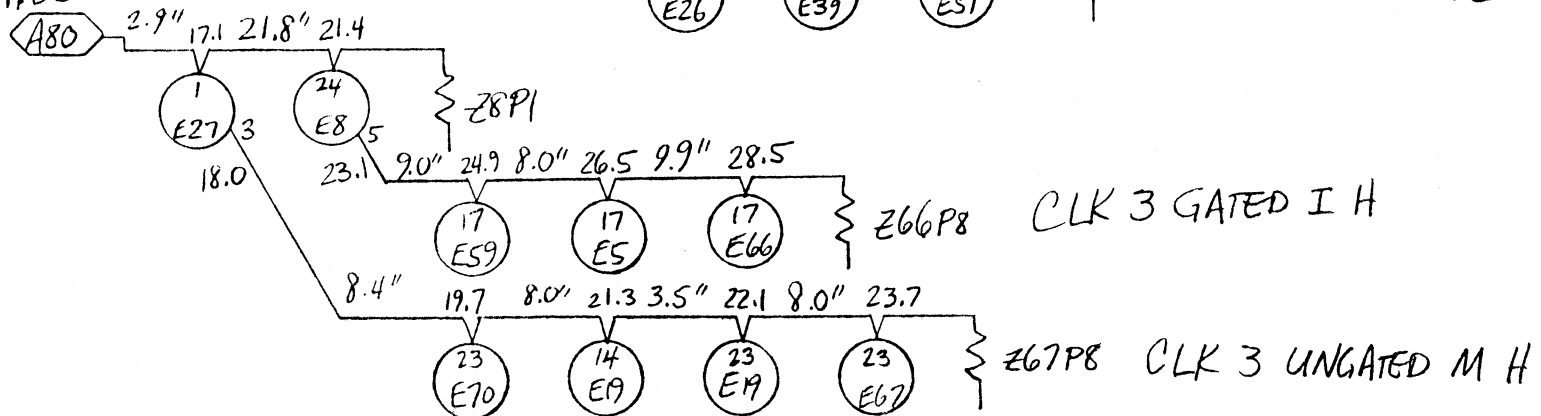
PHASE 2 TO IDR L @ 11.0

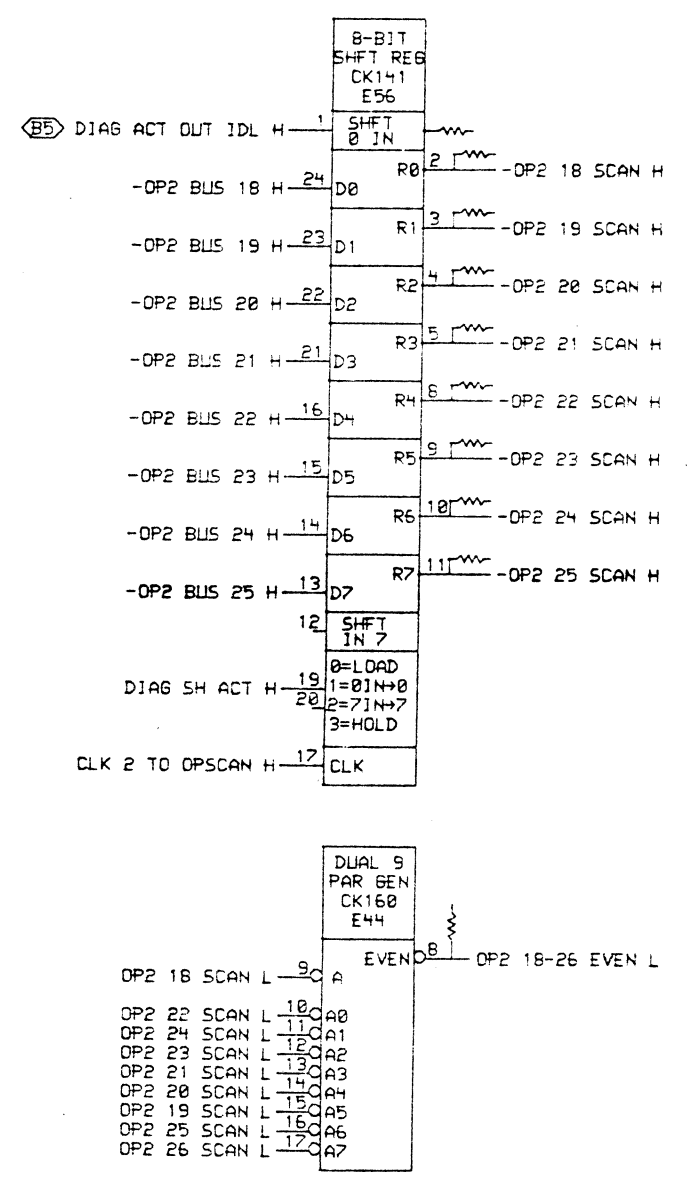
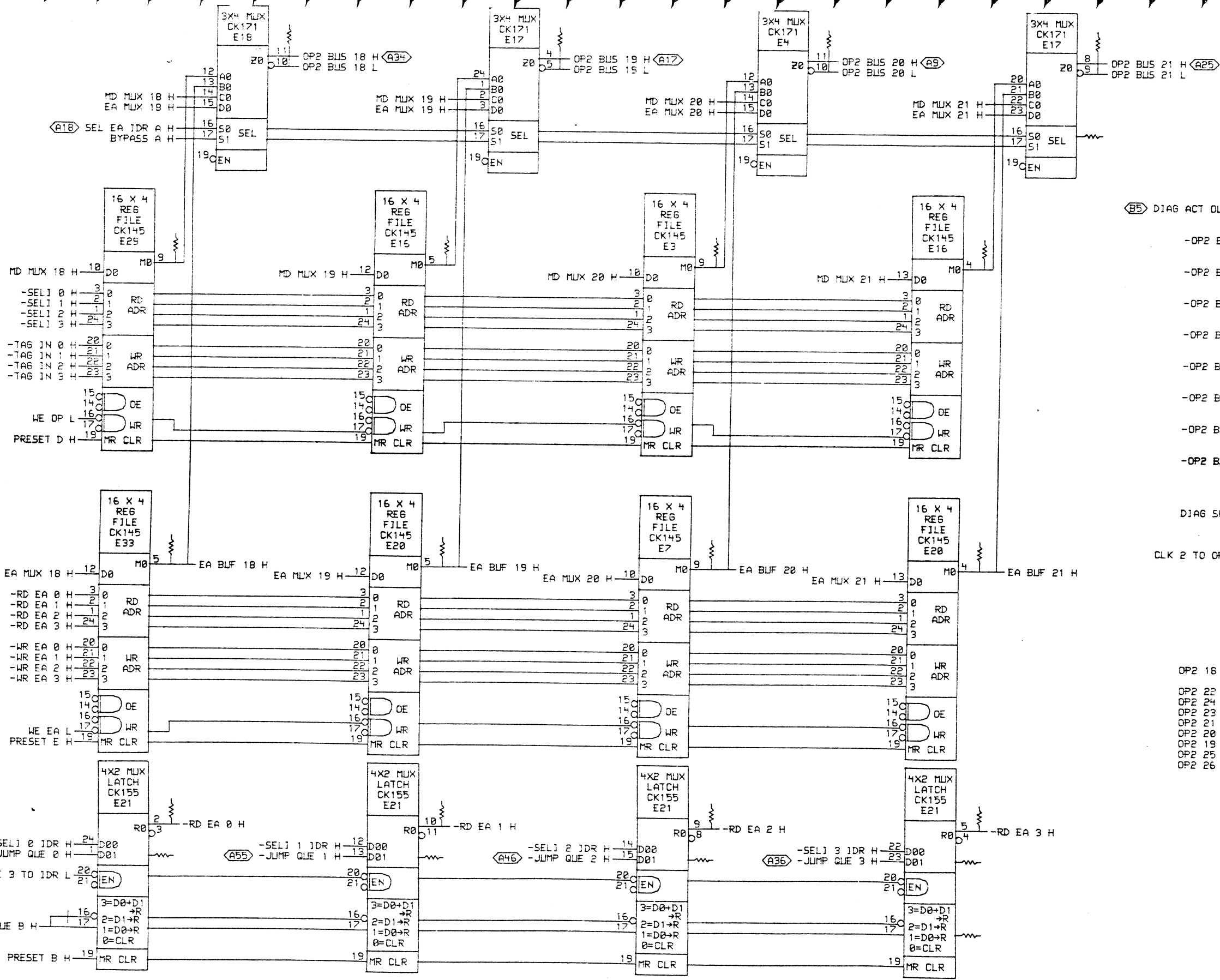


PHASE 3 TO IDR L @ 16.5



PHASE 3M TO IDR L @ 16.5

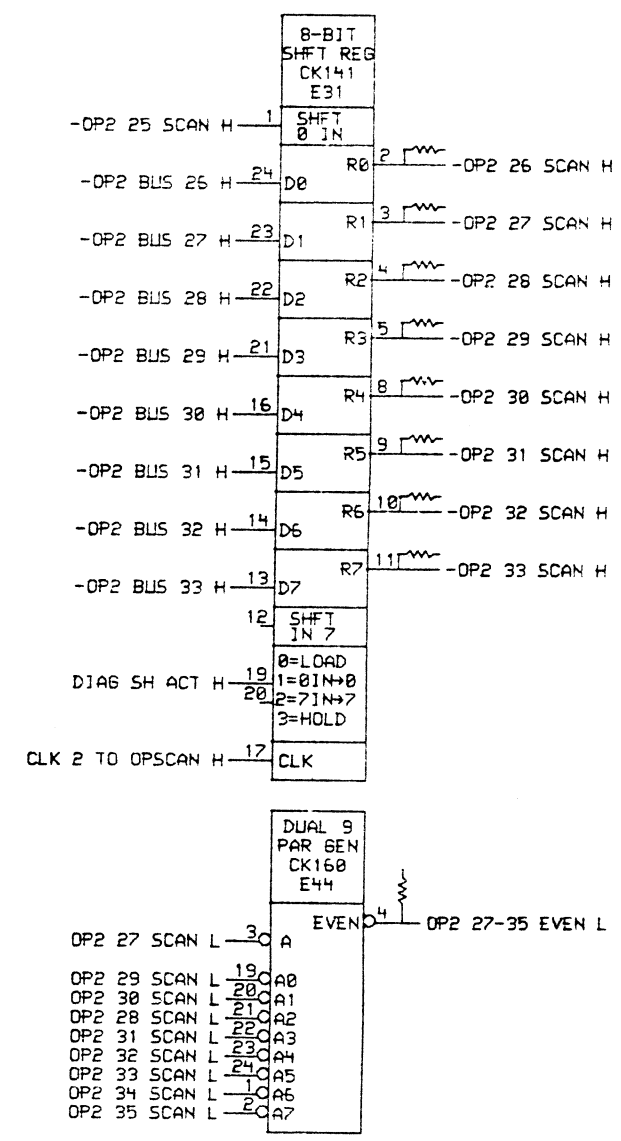
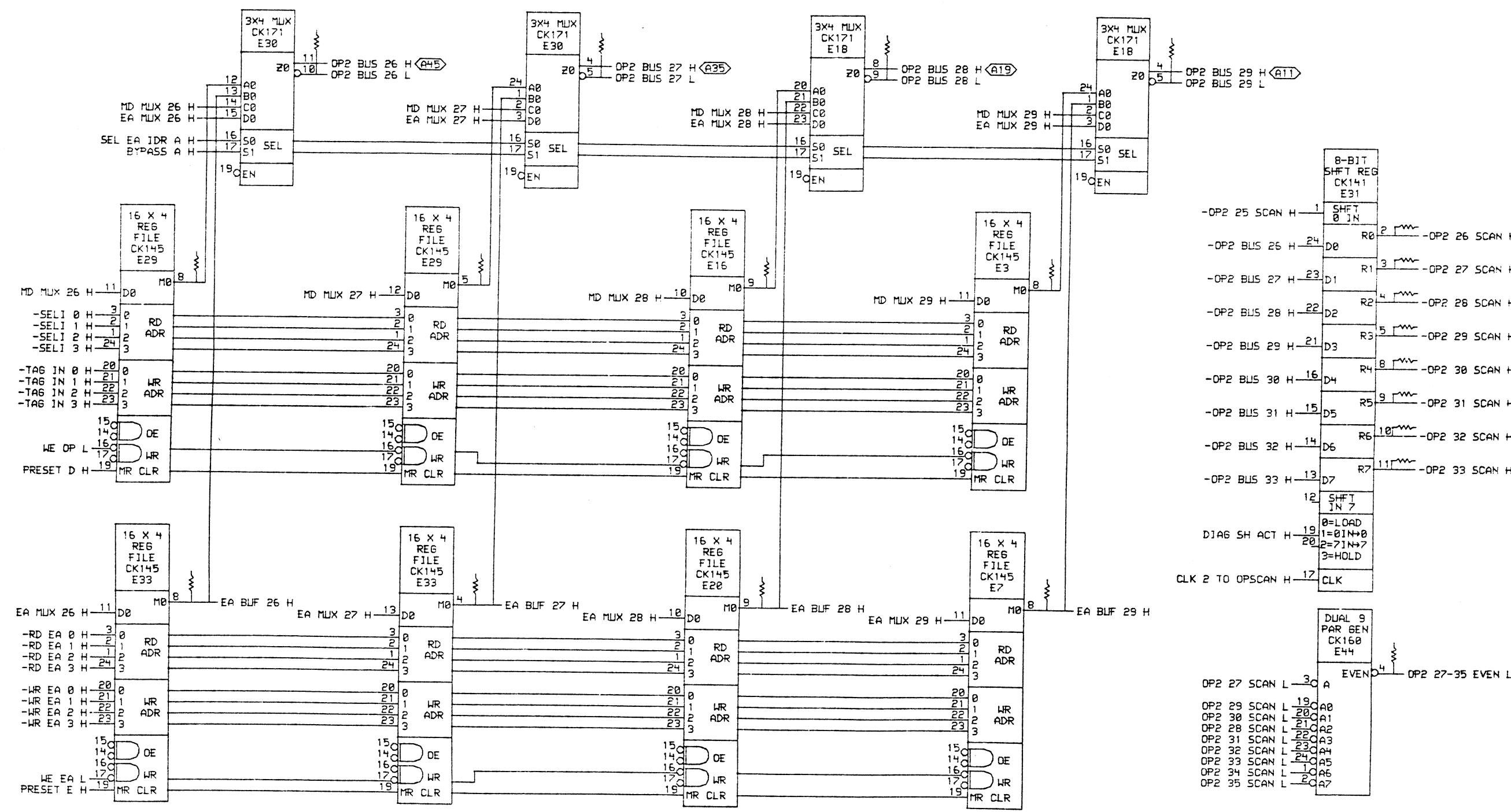




THIS DRAWING AND SPECIFICATIONS ARE THE PROPERTY OF DIGITAL EQUIPMENT CORPORATION AND SHALL NOT BE REPRODUCED OR COPIED IN WHOLE OR IN PART AS THE BASIS FOR THE MANUFACTURE OR SALE OF ITEMS WITHOUT WRITTEN PERMISSION. COPYRIGHT © 1982 DIGITAL EQUIPMENT CORPORATION.

REVISIONS	
CHK	CHANGE NO. REV

	DATE: 05-FEB-82 ENG.: DATE: 04-FEB-82 07:33 CHECK'D.: J. J. J.	DATE: ENG.: DATE: BOARD LOCATION: SHEET: OF	TITLE: OP2 BUS 18-21
	V.L. CAN (2888-10056) 121DR1.DRW FIRST USED ON OPTION/MODEL:	NEXT HIGHER ASSEMBLY:	SIZE: D CODE: CS NUMBER: L0056-0-IDR1

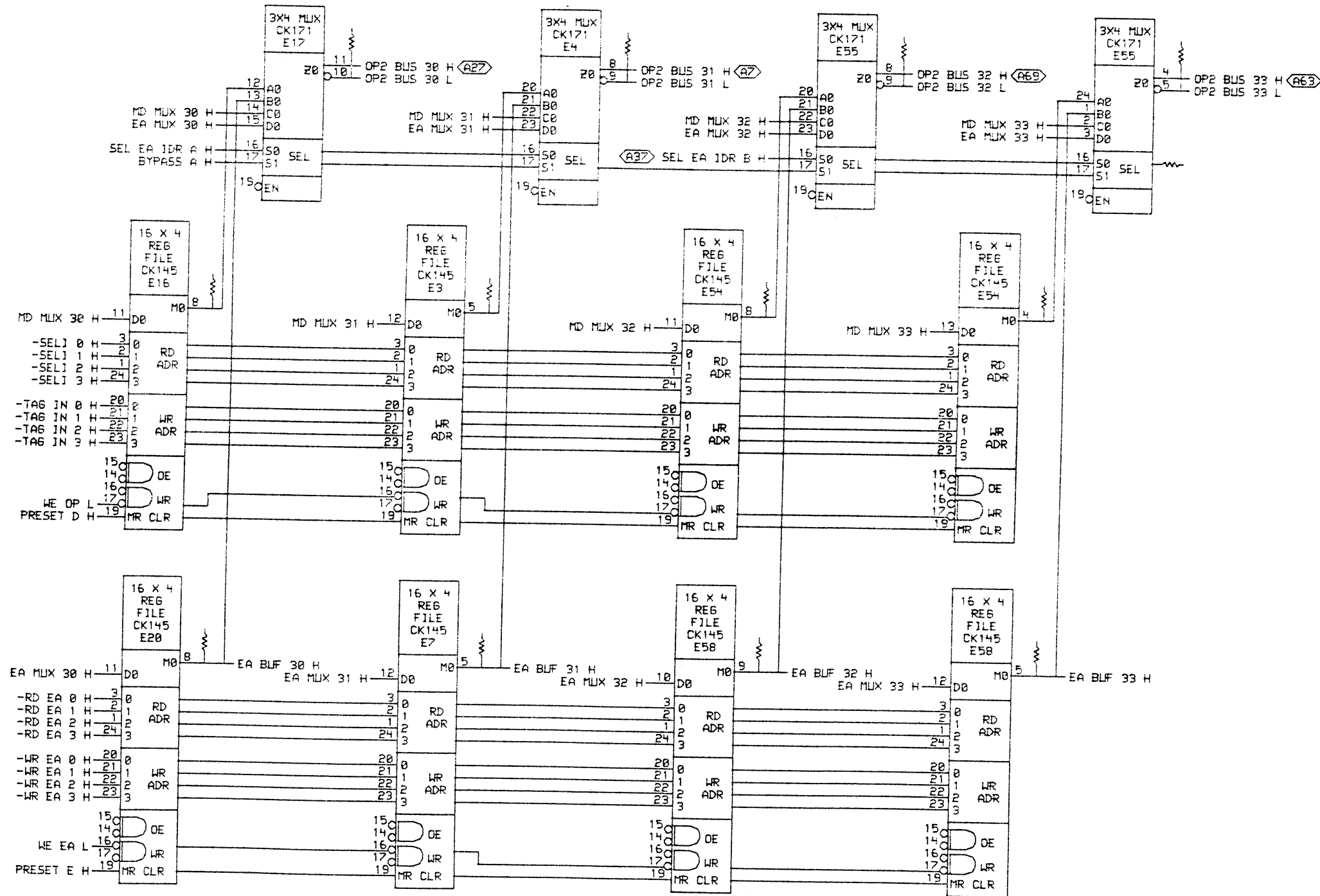


THIS DRAWING AND SPECIFICATIONS ARE THE PROPERTY OF DIGITAL EQUIPMENT CORPORATION AND SHALL NOT BE REPRODUCED OR COPIED OR USED IN WHOLE OR IN PART AS A BASIS FOR THE MANUFACTURE OR SALE OF ITEMS WITHOUT WRITTEN PERMISSION. COPYRIGHT © 1982, DIGITAL EQUIPMENT CORPORATION.

REVISIONS	
CHK	CHANGE NO. REV

	DATE	ENG.	DATE	TITLE:
	04-FEB-82			OP2 BUS 26-29
	DATE	BOARD LOCATION:		
		SHEET		
		NEXT HIGHER ASSEMBLY:		

SIZE	CODE	NUMBER	REV.
D	CS	L0056-0-1DR3	

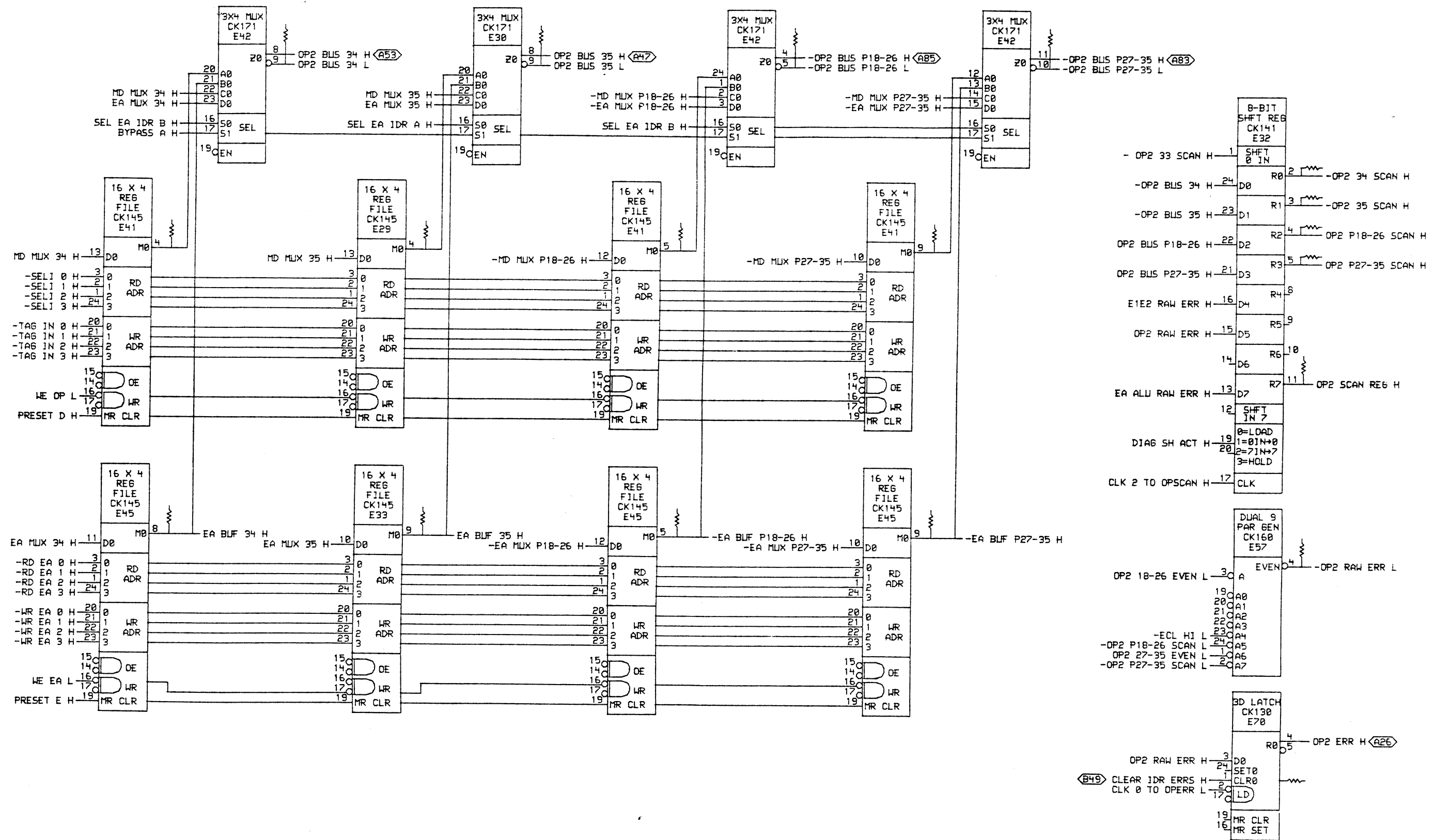


THIS DRAWING AND SPECIFICATIONS ARE THE PROPERTY OF DIGITAL EQUIPMENT CORPORATION AND SHALL NOT BE REPRODUCED OR COPIED OR USED IN WHOLE OR IN PART AS A BASIS FOR THE MANUFACTURE OR SALE OF ITEMS WITHOUT WRITTEN PERMISSION. COPYRIGHT (C) 1982.

REVISIONS	
CHK	CHANGE NO. REV

	DATE	ENG.	DATE	TITLE:
	01-JAN-82			OP2 BUS 30-33
CHK'D.	DATE	BOARD LOCATION:	SHEET	OF
VLL:CAN: (2000-1-0056) DRW. 103-FEB-81 11:48 NEXT HIGHER ASSEMBLY:				SIZE CODE
			NUMBER	REV.

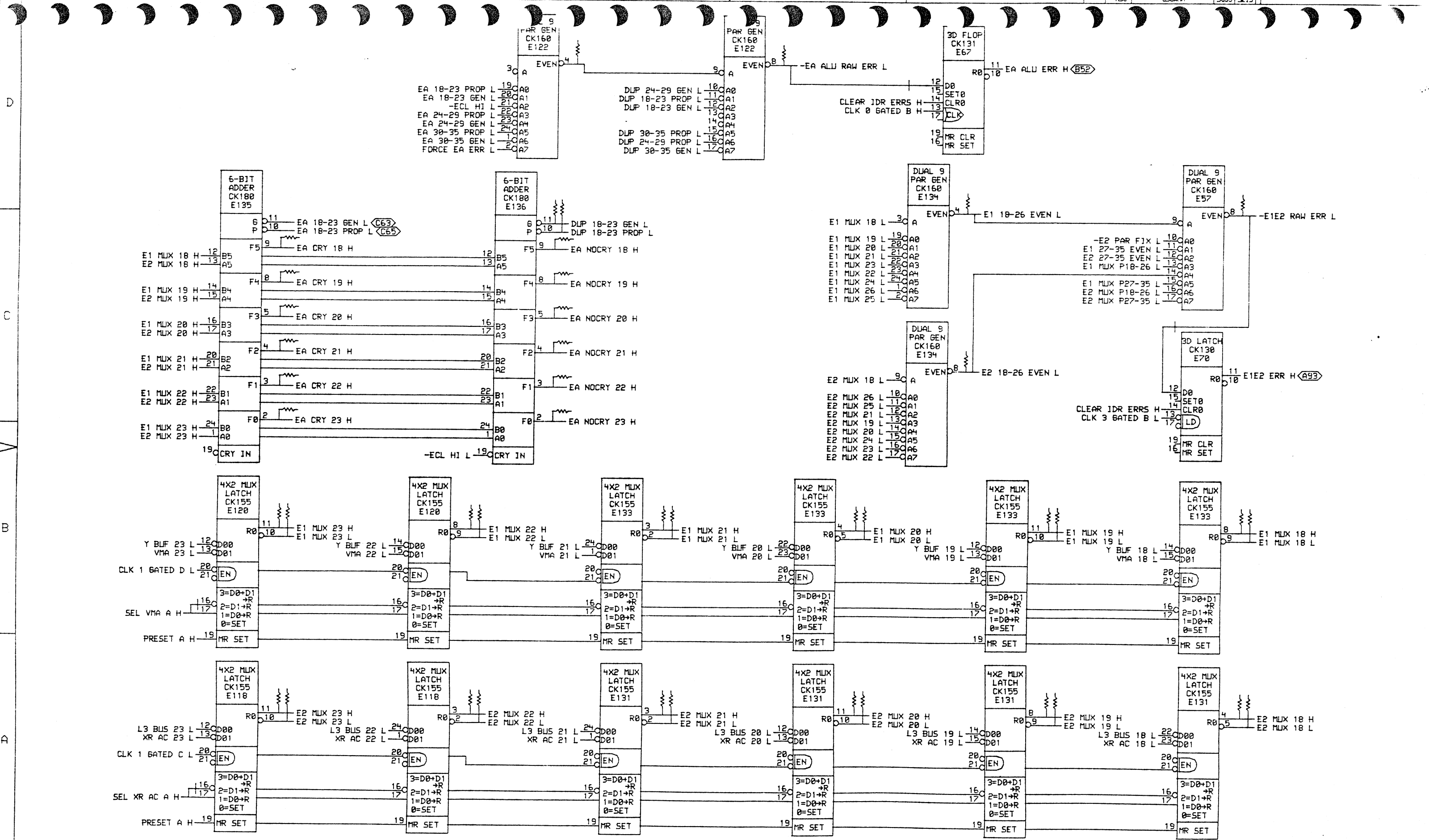
REV. NUMBER L0056-0-10R4
 SIZE CODE CS
 CD



THIS DRAWING AND SPECIFICATIONS ARE THE PROPERTY OF DIGITAL EQUIPMENT CORPORATION AND SHALL NOT BE REPRODUCED OR COPIED OR USED IN WHOLE OR IN PART AS THE BASIS FOR THE MANUFACTURE OR SALE OF ITEMS WITHOUT WRITTEN PERMISSION. COPYRIGHT © 1982, DIGITAL EQUIPMENT CORPORATION.

REVISIONS		
CHK	CHANGE NO.	REV

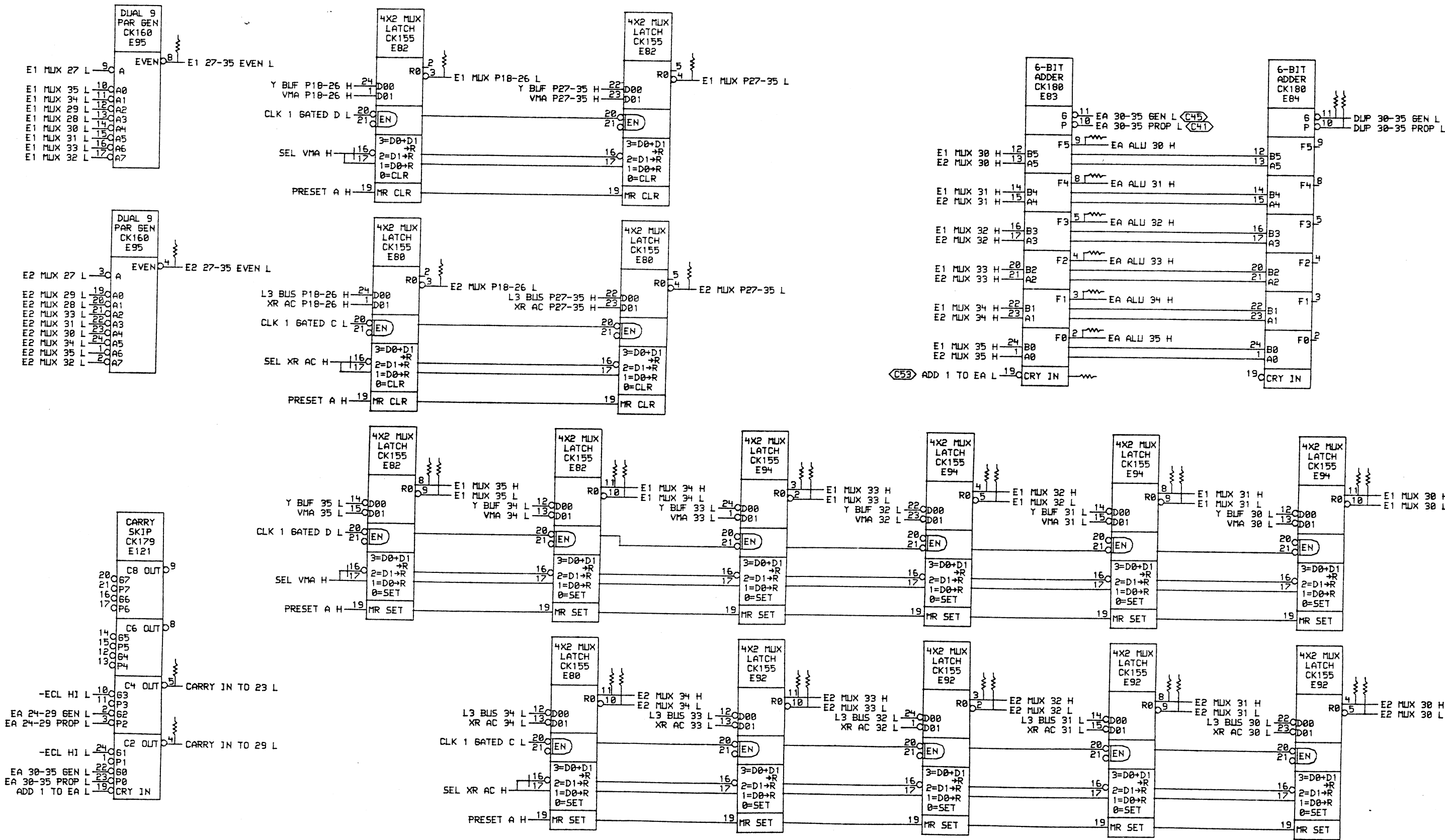
digital	DATE: 05-FEB-82	ENG.	DATE	TITLE: OP2 BUS 34, 35, P18-26, P27-35
VLE CANI (P080 L0056) 12IDR5.DRW	DATE: 04-FEB-82 07:43	CHK'D.	BOARD LOCATION:	SIZE: D
FIRST USED ON OPTION/MODEL:	NEXT HIGHER ASSEMBLY:	SHEET	OF	CODE: CS
				NUMBER: L0056-0-IDR5
				REV.



THIS DRAWING AND SPECIFICATIONS
HEREIN ARE THE PROPERTY OF
DIGITAL EQUIPMENT CORPORATION AND
SHALL NOT BE REPRODUCED OR COPIED
OR USED IN WHOLE OR IN PART AS
THE BASIS FOR THE MANUFACTURE OR
SALE OF ITEMS WITHOUT WRITTEN
PERMISSION. COPYRIGHT © 1982
DIGITAL EQUIPMENT CORPORATION.

REVISIONS	
CHK	CHANGE NO. REV

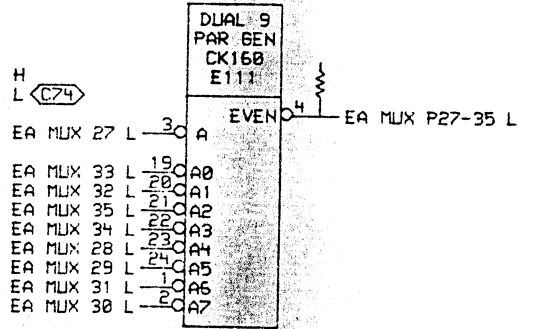
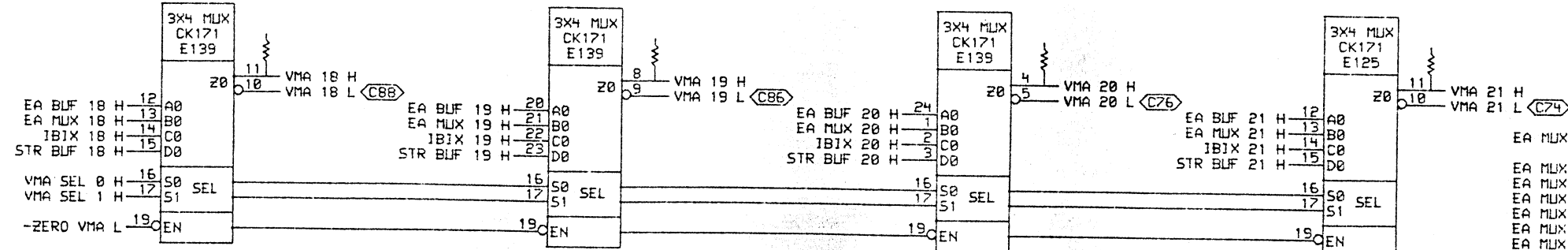
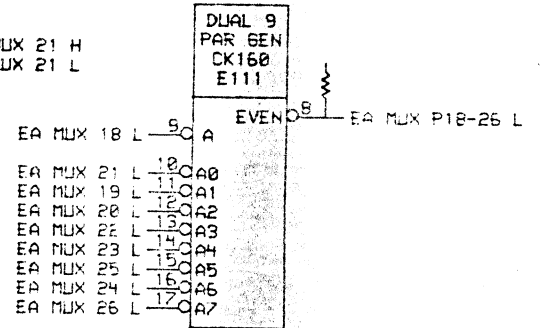
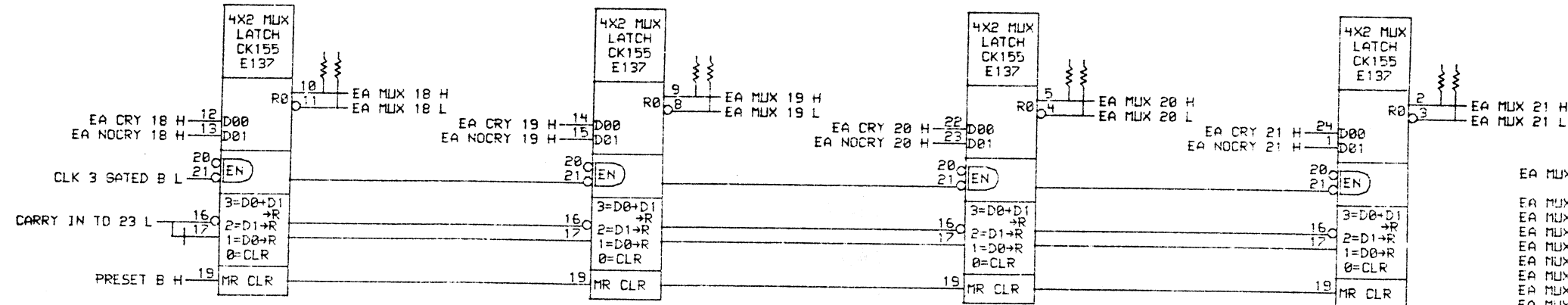
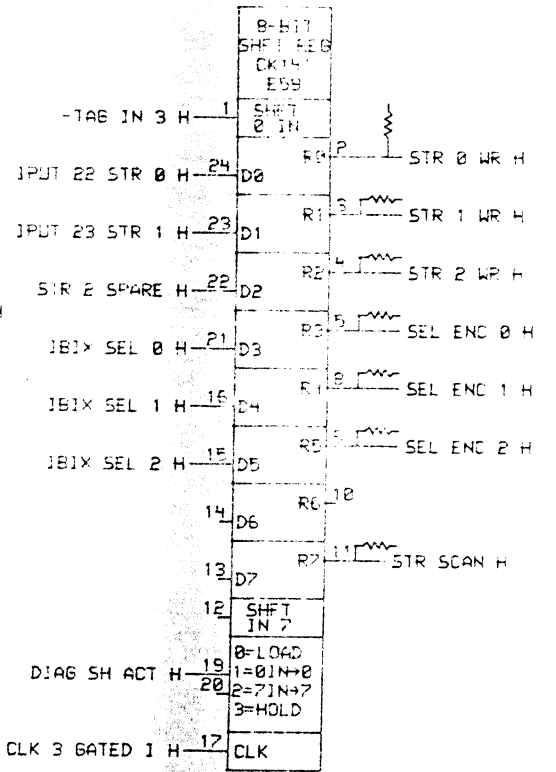
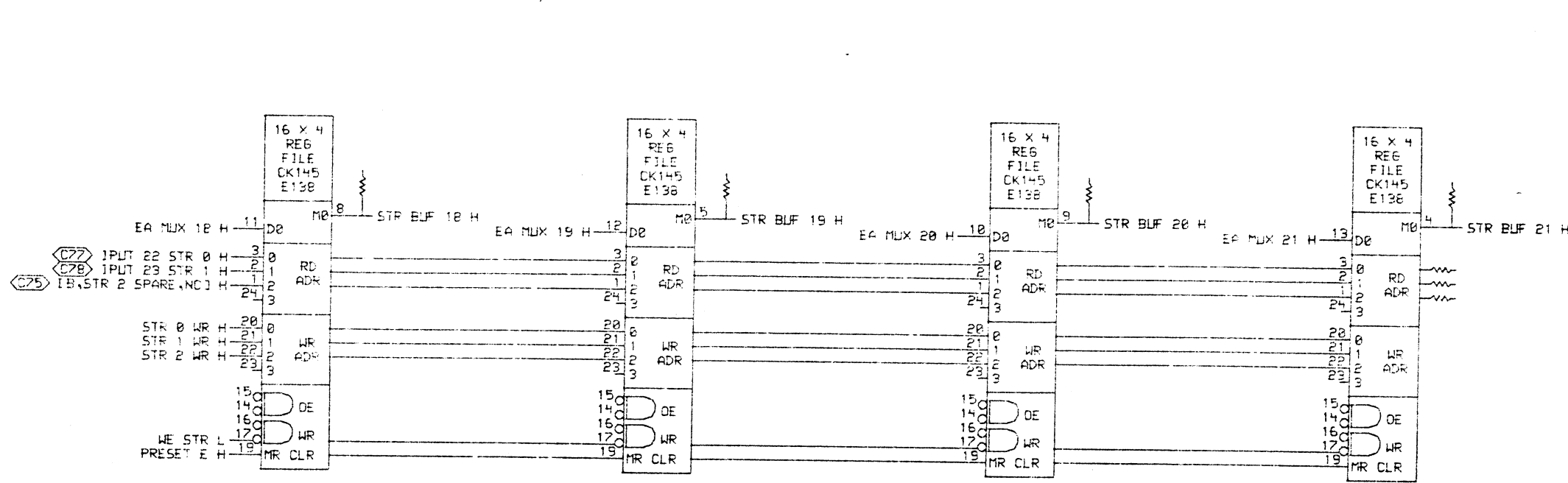
digital	DATE 05-FEB-82	ENG.	DATE	TITLE: EA ALU 18-23
DRN. J. L. L...	DATE 04-FEB-82	CHK'D.	BOARD LOCATION:	
V.L. CAN (2880-L-005) 121DR6 DRW	04-FEB-82 08:18	NEXT HIGHER ASSEMBLY:	SHEET OF	
FIRST USED ON OPTION/MODEL:			SIZE CODE	NUMBER
			D CS	L0056-0-IDR6



THIS DRAWING AND SPECIFICATIONS ARE THE PROPERTY OF DIGITAL EQUIPMENT CORPORATION AND SHALL NOT BE REPRODUCED OR COPIED OR USED IN WHOLE OR IN PART AS THE BASIS FOR THE MANUFACTURE OR SALE OF ITEMS WITHOUT WRITTEN PERMISSION. COPYRIGHT © 1982 - DIGITAL EQUIPMENT CORPORATION.

REVISIONS		
CHK	CHANGE NO.	REV

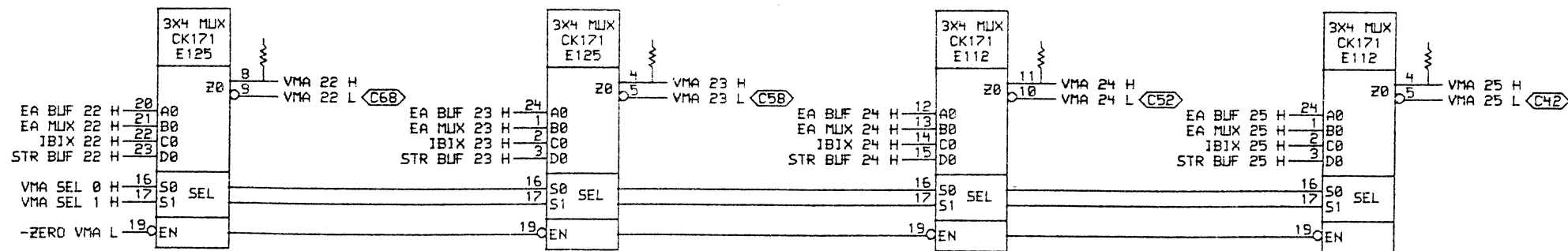
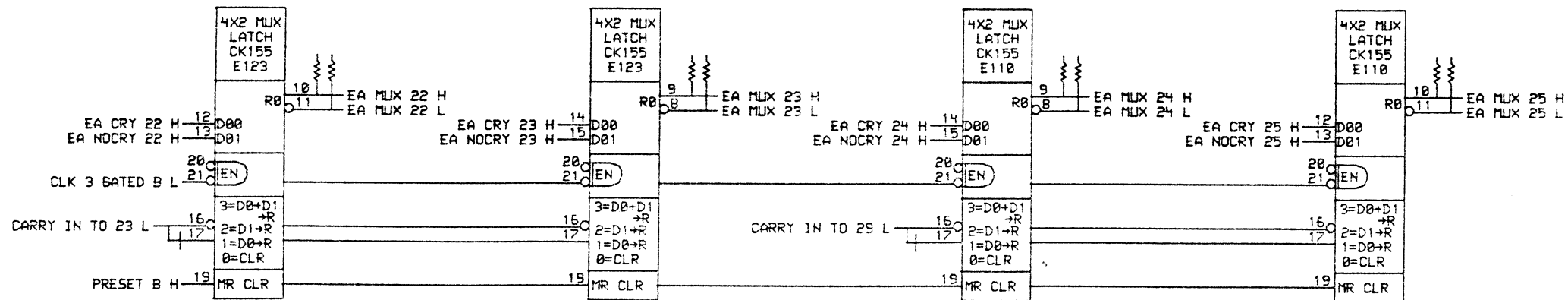
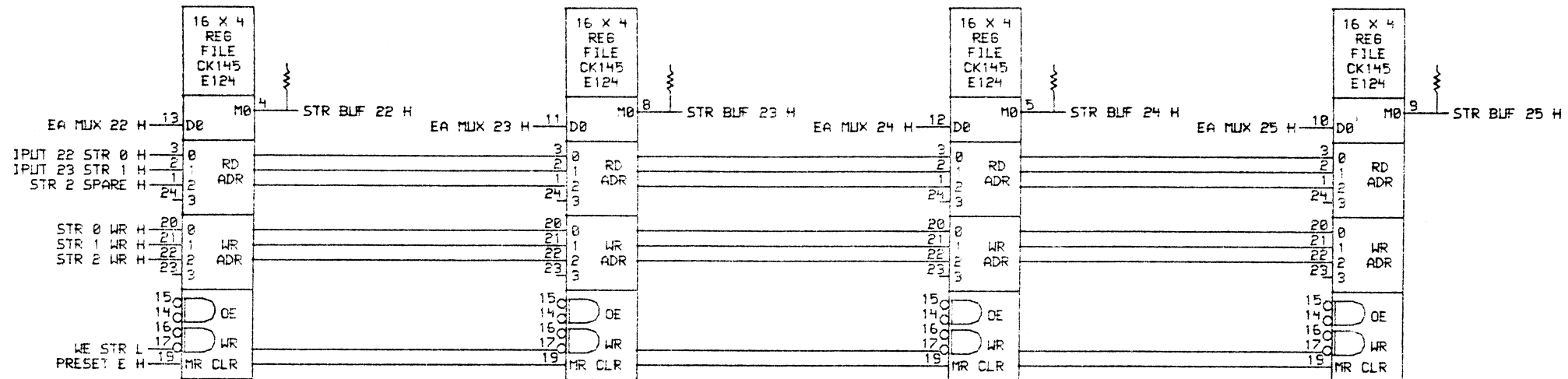
	DATE: 05-FEB-82 DATE: 05-FEB-82 DATE: 05-FEB-82	ENG. [Signature] DATE: 05-FEB-82 DATE: 05-FEB-82	TITLE: EA ALU 30-35 SHEET: [Blank] OF: [Blank]
	VLSI CAN (2000-1-0056) 121DR8 DRW 04-FEB-82 08:44 FIRST USED ON OPTION/MODEL:	NEXT HIGHER ASSEMBLY:	SIZE CODE: D CS NUMBER: L0056-0-IDR8



THIS DRAWING AND SPECIFICATIONS ARE THE PROPERTY OF DIGITAL EQUIPMENT CORPORATION AND SHALL NOT BE REPRODUCED OR COPIED OR USED IN WHOLE OR IN PART AS THE BASIS FOR THE MANUFACTURE OR SALE OF ITEMS WITHOUT WRITTEN PERMISSION. COPYRIGHT © 1967.

REVISIONS		
CHK	CHANGE NO.	REV

digital	DATE	ENG.	DATE	TITLE:
	01 JAN 62			VMA 18-21
	DATE	BOARD LOCATION:		
		SHEET		
MAY CAN (205A, L 0056) 11DR9, DR9 19-MAY-81 15:21 NEXT HIGHER ASSEMBLY:			SIZE	CODE
			NUMBER	REV.
			0056-0-1DR9	



THIS DRAWING AND SPECIFICATIONS ARE THE PROPERTY OF DIGITAL EQUIPMENT CORPORATION AND SHALL NOT BE REPRODUCED OR COPIED OR USED IN WHOLE OR IN PART AS THE BASIS FOR THE MANUFACTURE OR SALE OF ITEMS WITHOUT WRITTEN PERMISSION. COPYRIGHT © 1982.

REVISIONS	
CHK	CHANGE NO. REV

digital

DATE 01-JAN-82

DATE 03-FEB-81 11:49

ENG.

CHK'D.

BOARD LOCATION:

SHEET OF

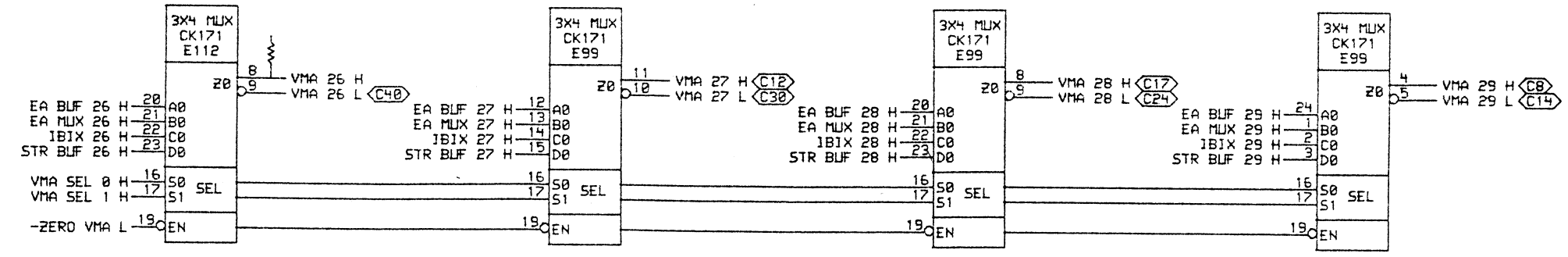
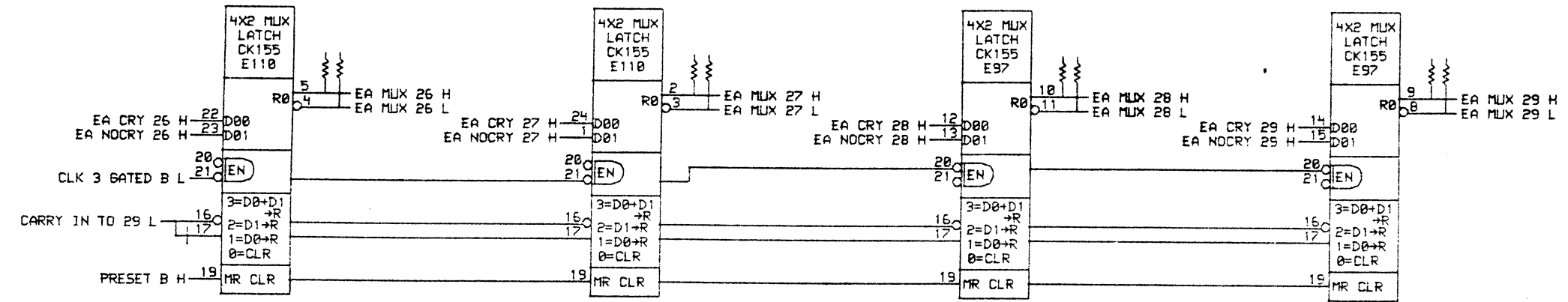
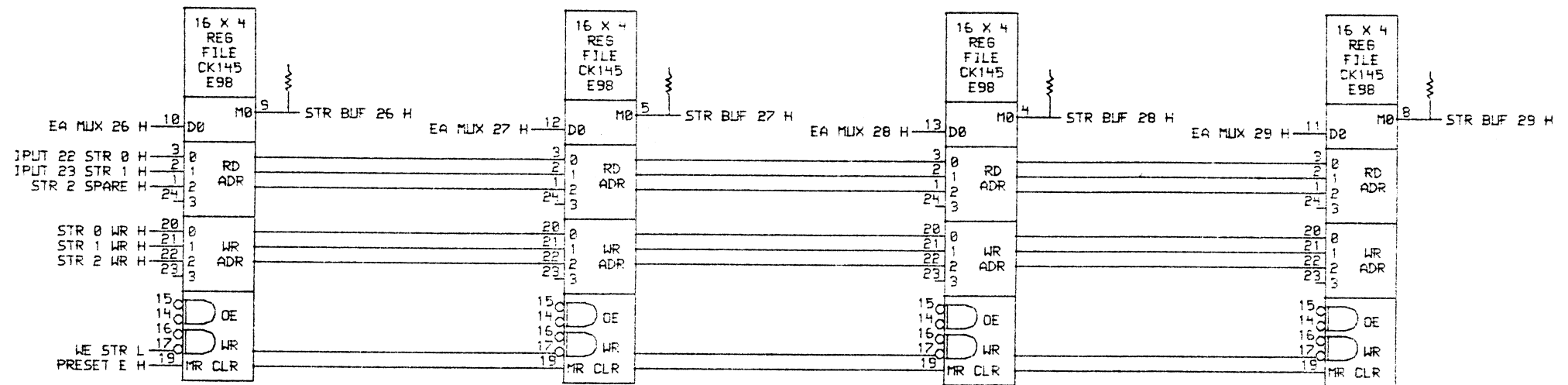
TITLE: VMA 22-25

SIZE CODE NUMBER REV.

03-FEB-81 11:49 NEXT HIGHER ASSEMBLY:

03-FEB-81 11:49

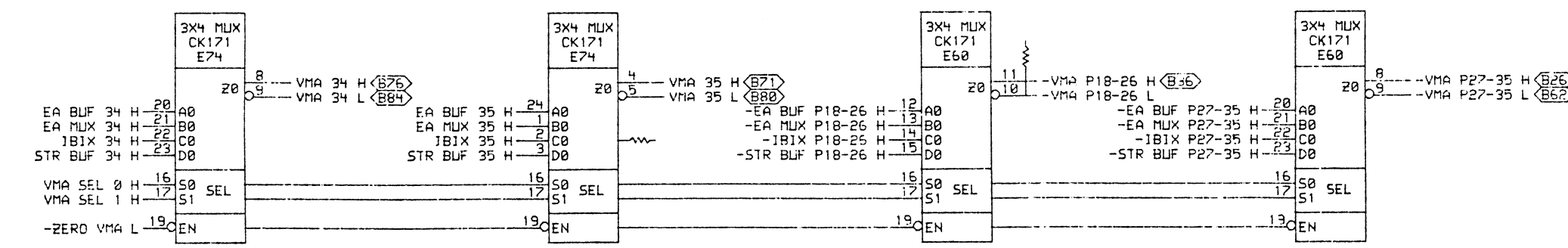
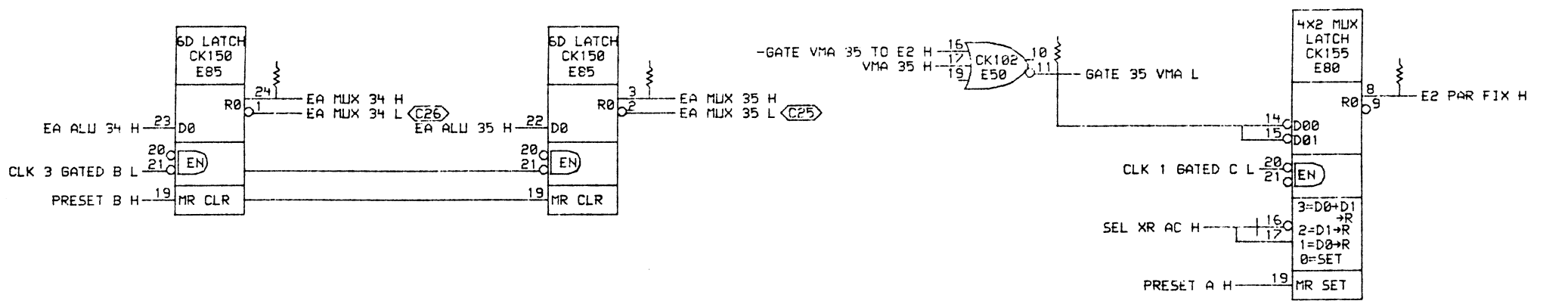
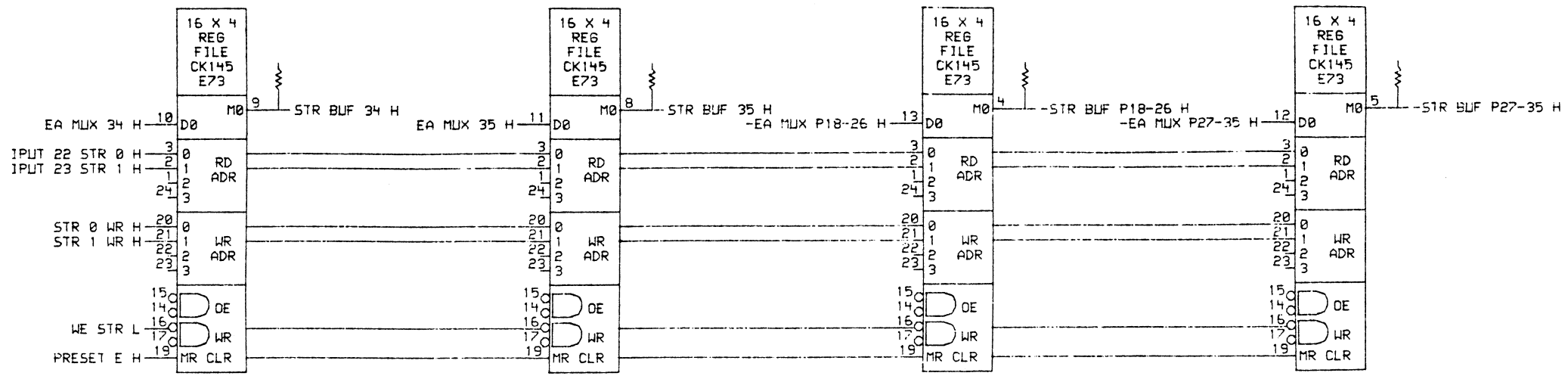
REV. NUMBER L0056-0 IDRA SIZE CODE D



THIS DRAWING AND SPECIFICATIONS ARE THE PROPERTY OF DIGITAL EQUIPMENT CORPORATION AND SHALL NOT BE REPRODUCED OR COPIED OR USED IN WHOLE OR IN PART AS THE BASIS FOR THE MANUFACTURE OR SALE OF ITEMS WITHOUT WRITTEN PERMISSION. COPYRIGHT © 1982.

REVISIONS	
CHK	CHANGE NO. REV

digital	DATE	ENG.	DATE	TITLE:
	04-JAN-82			VMA 26-29
CHK'D.	DATE	BOARD LOCATION:	SHEET	OF
VILCAN: (2080.L0056)IDRB.DRW [03-FEB-81 11:49] NEXT HIGHER ASSEMBLY:		SIZE	CODE	NUMBER
FIRST USED BY DESIGN MODEL:				REV.



THIS DRAWING AND SPECIFICATIONS HEREIN ARE THE PROPERTY OF DIGITAL EQUIPMENT CORPORATION AND SHALL NOT BE REPRODUCED OR COPIED OR USED IN WHOLE OR IN PART AS THE BASIS FOR THE MANUFACTURE OR SALE OF ITEMS WITHOUT WRITTEN PERMISSION. COPYRIGHT © 1982, DIGITAL EQUIPMENT CORPORATION.

REVISIONS		
CHK	CHANGE NO.	REV

DATE: 12-FEB-82
 ENG. NAME: *J. Looney*
 DATE: *12-FEB-82*
 BOARD LOCATION:
 SHEET:
 NEXT HIGHER ASSEMBLY:
 FIRST USED ON OPTION MODEL:

TITLE: VMA 34-35		SIZE: D	CODE: CS	NUMBER: L0056-0-IDRD	REV.:
------------------	--	---------	----------	----------------------	-------

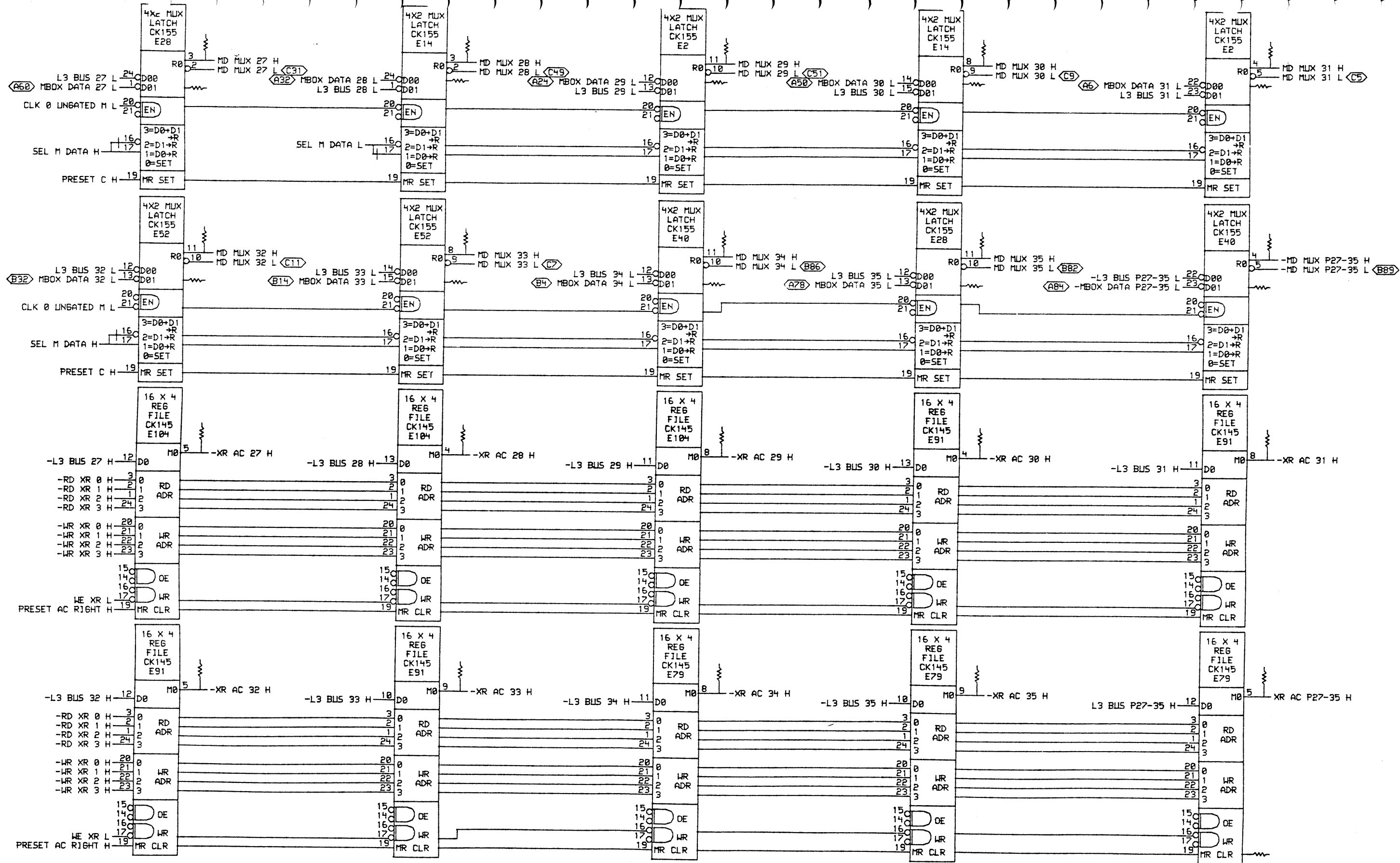
D
C
B
A



THIS DRAWING AND SPECIFICATIONS ARE THE PROPERTY OF DIGITAL EQUIPMENT CORPORATION AND SHALL NOT BE REPRODUCED OR COPIED OR USED IN WHOLE OR IN PART AS THE BASIS FOR THE MANUFACTURE OR SALE OF ITEMS WITHOUT WRITTEN PERMISSION. COPYRIGHT © 1982, DIGITAL EQUIPMENT CORPORATION.

REVISIONS	CHK	CHANGE NO.	REV

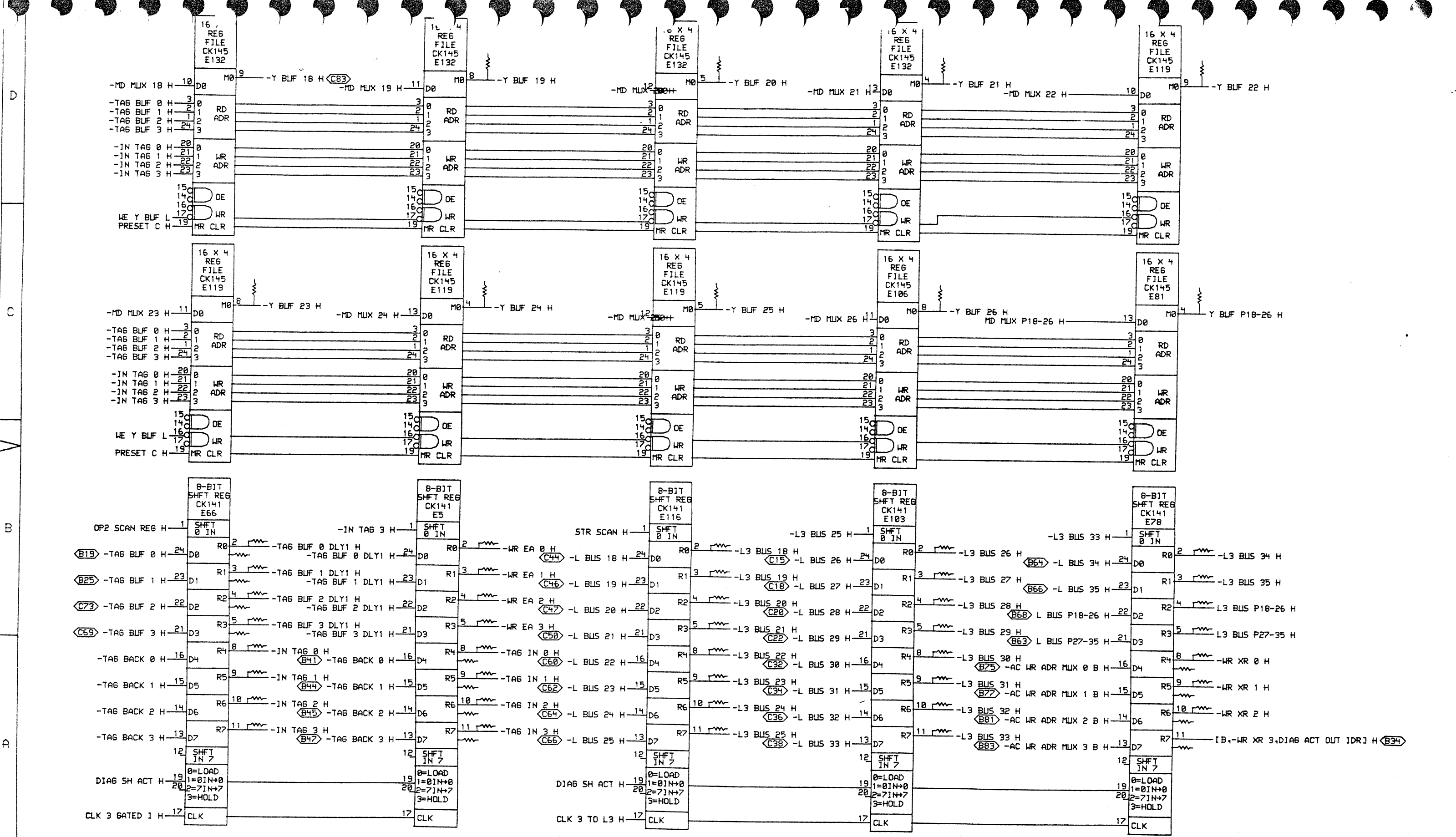
	DRN. <i>J. Looney</i>	DATE ENG. 03-FEB-82	DATE	TITLE: XR, MD 18-26 P18-26
	CHK'D.	DATE BOARD LOCATION: SHEET OF		
VLLCAN1 (P080) L0056121DRE.DRW 104-FEB-82 09:04		NEXT HIGHER ASSEMBLY:		SIZE CODE NUMBER REV. D CS L0056-0-IDRE



THIS DRAWING AND SPECIFICATIONS ARE THE PROPERTY OF DIGITAL EQUIPMENT CORPORATION AND SHALL NOT BE REPRODUCED OR COPIED OR USED IN WHOLE OR IN PART AS THE BASIS FOR THE MANUFACTURE OR SALE OF ITEMS WITHOUT WRITTEN PERMISSION. COPYRIGHT © 1982 DIGITAL EQUIPMENT CORPORATION

REVISIONS		
CHK	CHANGE NO.	REV

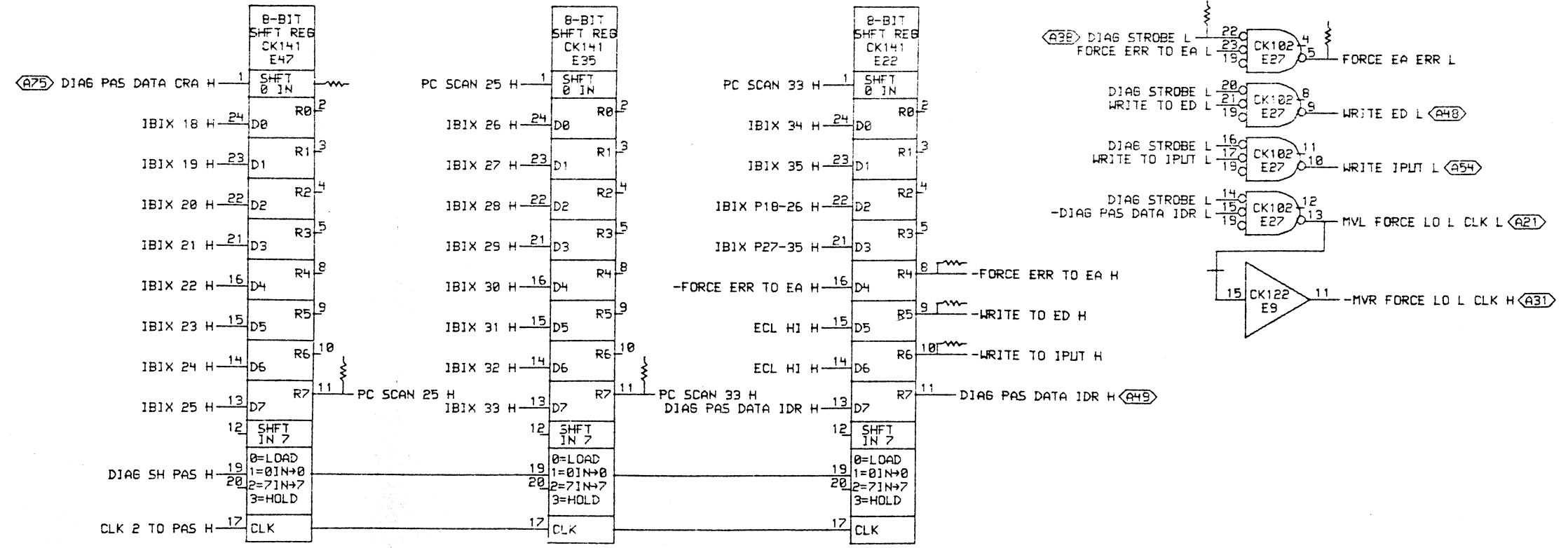
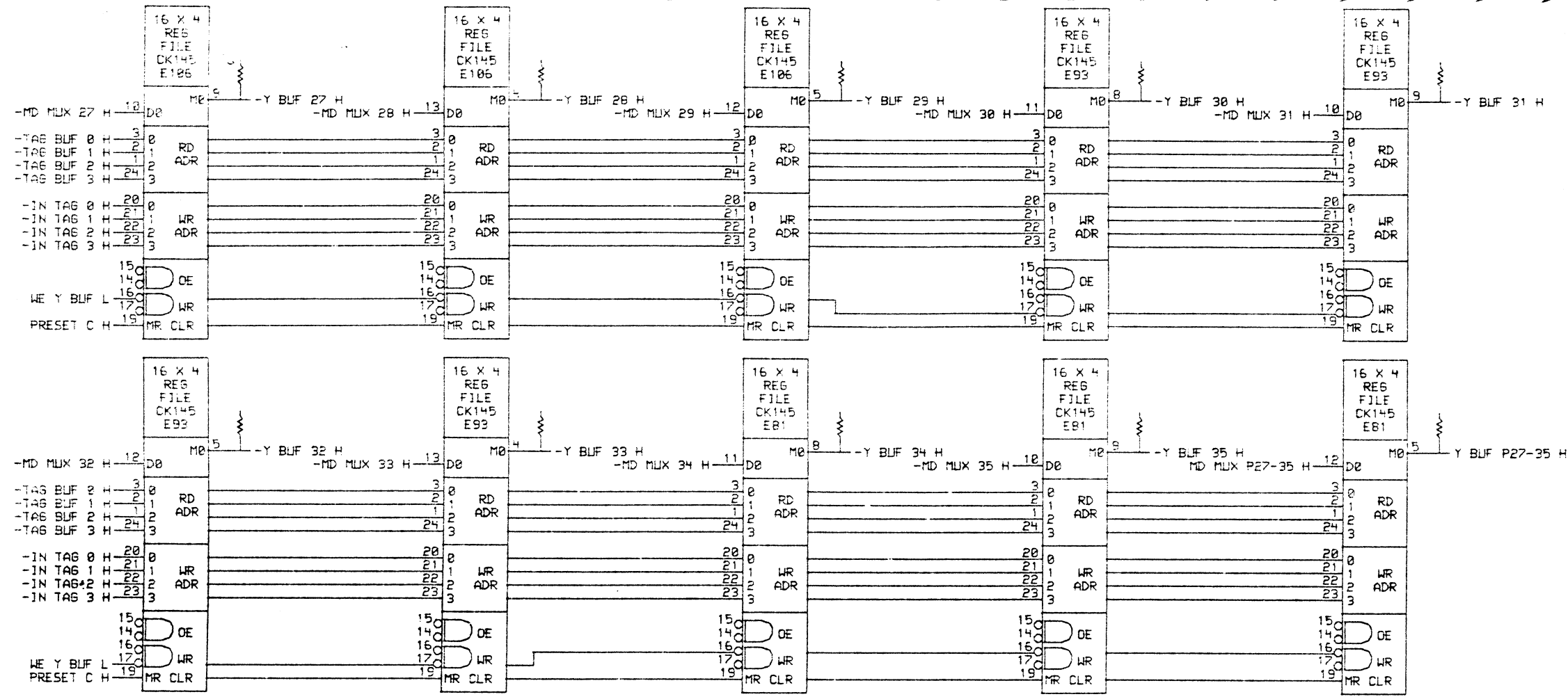
	DRN. <i>J. J. J.</i> CHK'D.	DATE ENG. 05-FEB-82 DATE BOARD LOCATION:	DATE TITLE: XR, MD 27-35 P27-35
	VLSI CAPT (2000-1-0056) 11DRF.DRW 04-FEB-82 09:10 FIRST USED ON OPTION/MODEL:	NEXT HIGHER ASSEMBLY:	SHEET OF:



THIS DRAWING AND SPECIFICATIONS
HEREIN ARE THE PROPERTY OF
DIGITAL EQUIPMENT CORPORATION AND
SHALL NOT BE REPRODUCED OR COPIED
OR USED IN WHOLE OR IN PART AS
THE BASIS FOR THE MANUFACTURE OR
SALE OF ITEMS WITHOUT WRITTEN
PERMISSION. COPYRIGHT © 1982,
DIGITAL EQUIPMENT CORPORATION

REVISIONS	
CHK	CHANGE NO. REV

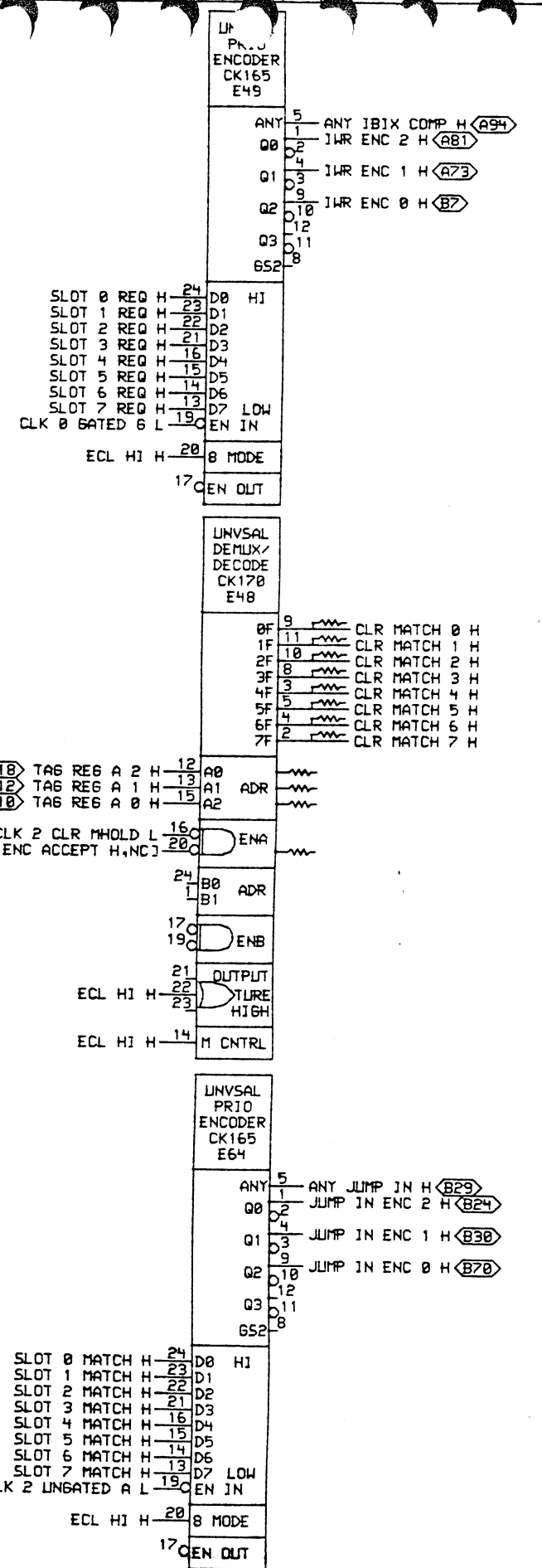
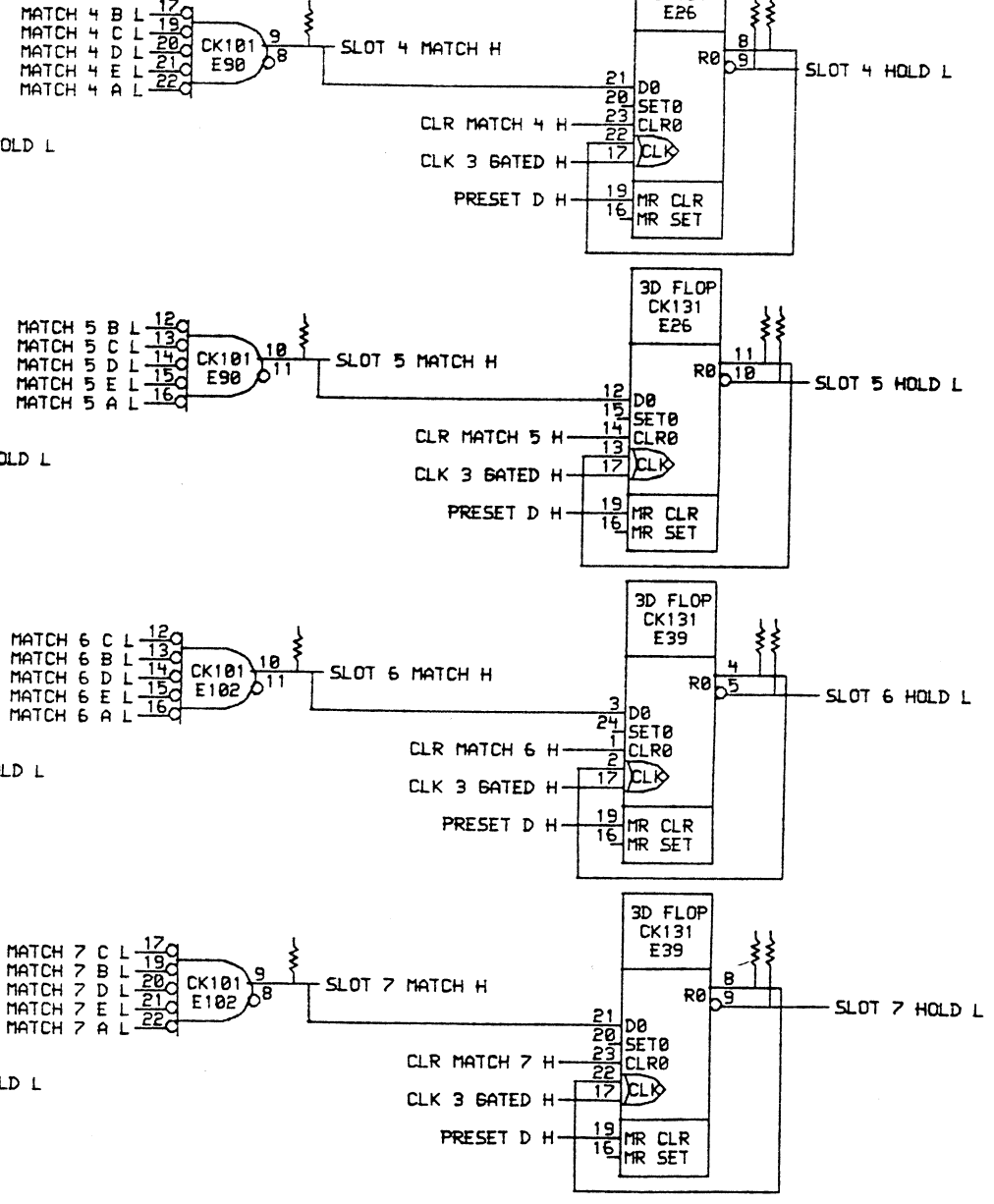
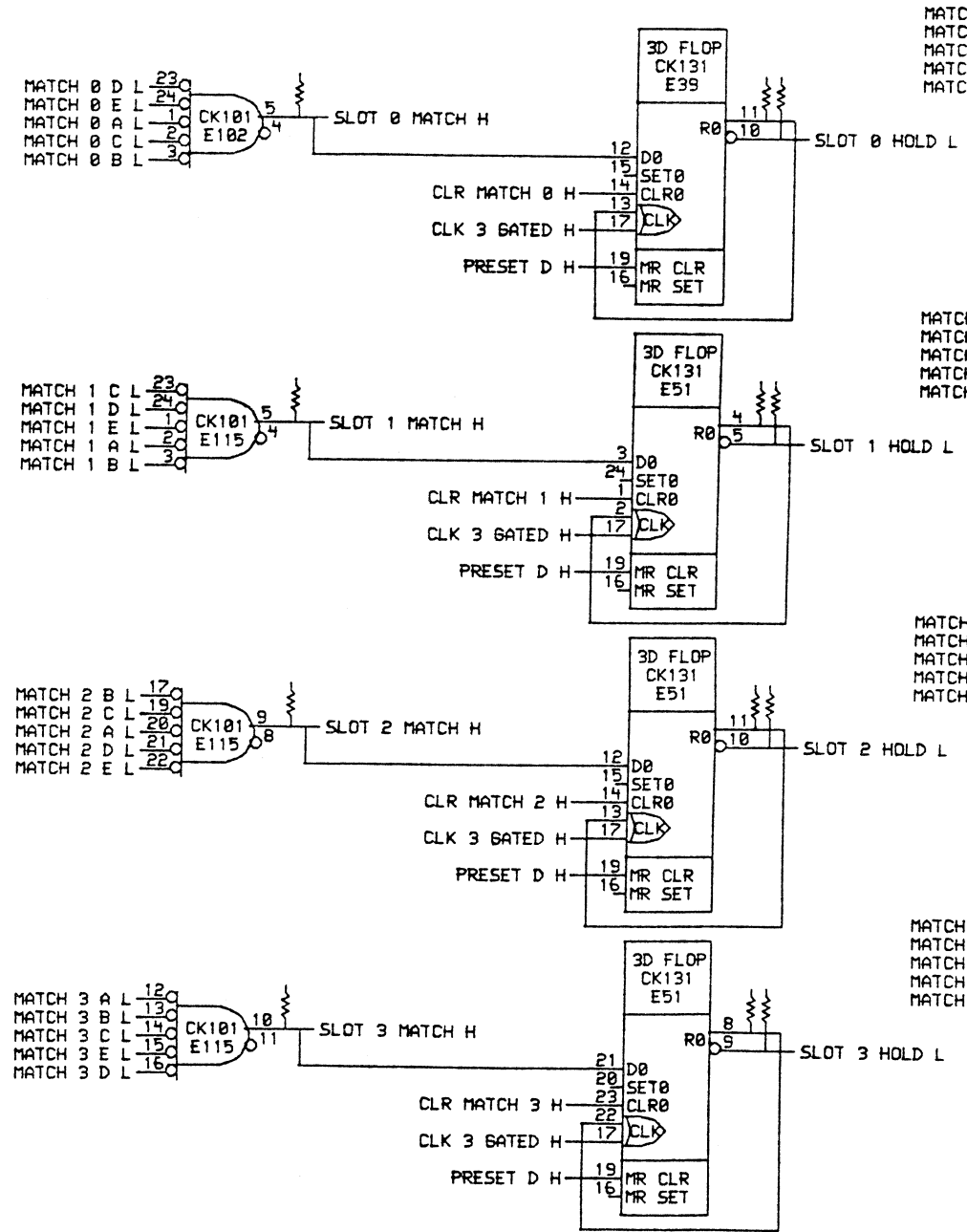
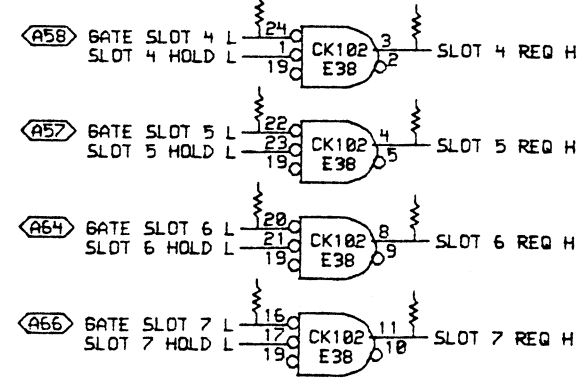
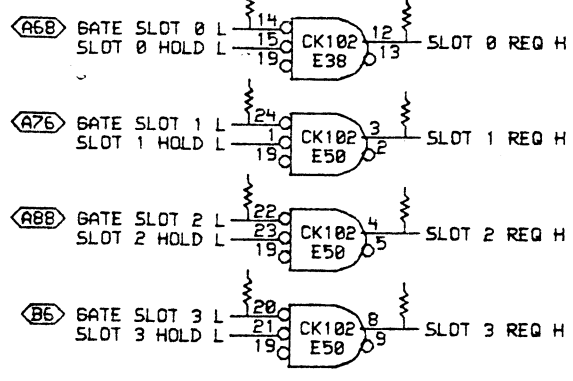
	DATE: 05-FEB-82	ENG.:	DATE:	TITLE: Y BUF 18-26
	DATE: 04-FEB-82 09:42	BOARD LOCATION: SHEET	OF:	
FIRST USED ON OPTION/MODEL:	NEXT HIGHER ASSEMBLY:	SIZE CODE: D CS	NUMBER: L0056-0-IDRG	REV.:



THIS DRAWING AND SPECIFICATIONS ARE THE PROPERTY OF DIGITAL EQUIPMENT CORPORATION AND SHALL NOT BE REPRODUCED OR COPIED IN WHOLE OR IN PART AS THE BASIS FOR THE MANUFACTURE OR SALE OF ITEMS WITHOUT WRITTEN PERMISSION. COPYRIGHT © 1982

REVISIONS	
CHK	CHANGE NO. REV

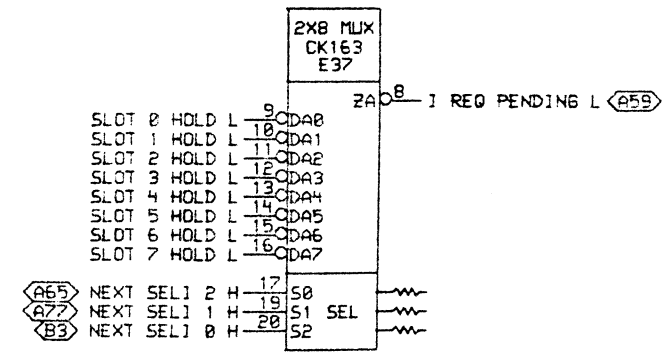
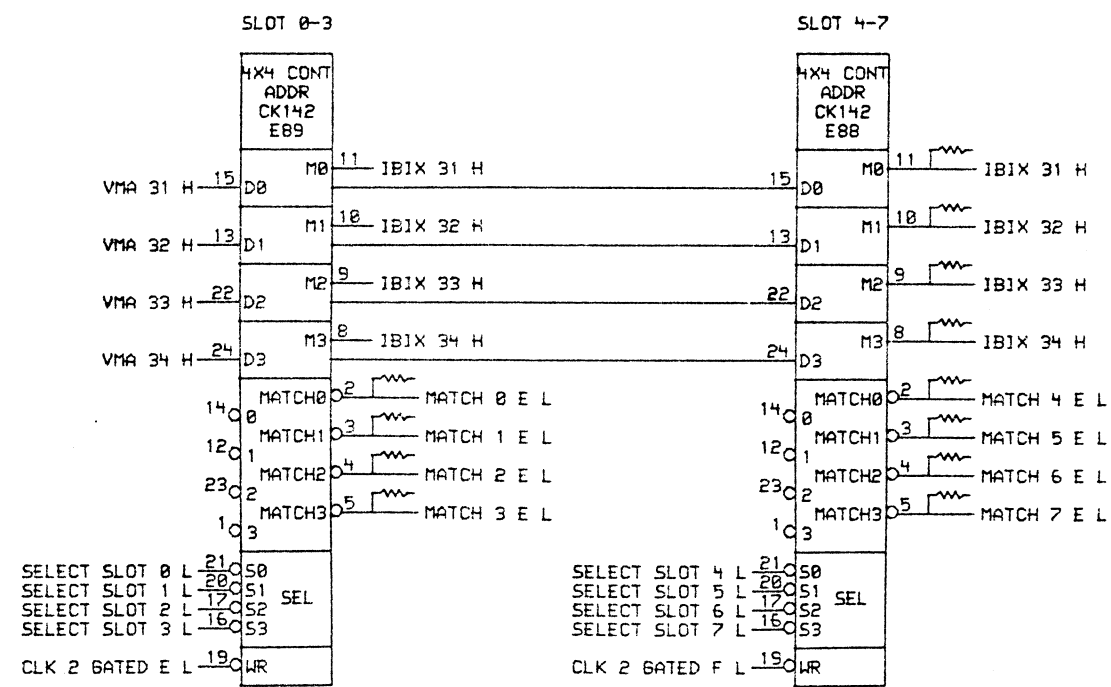
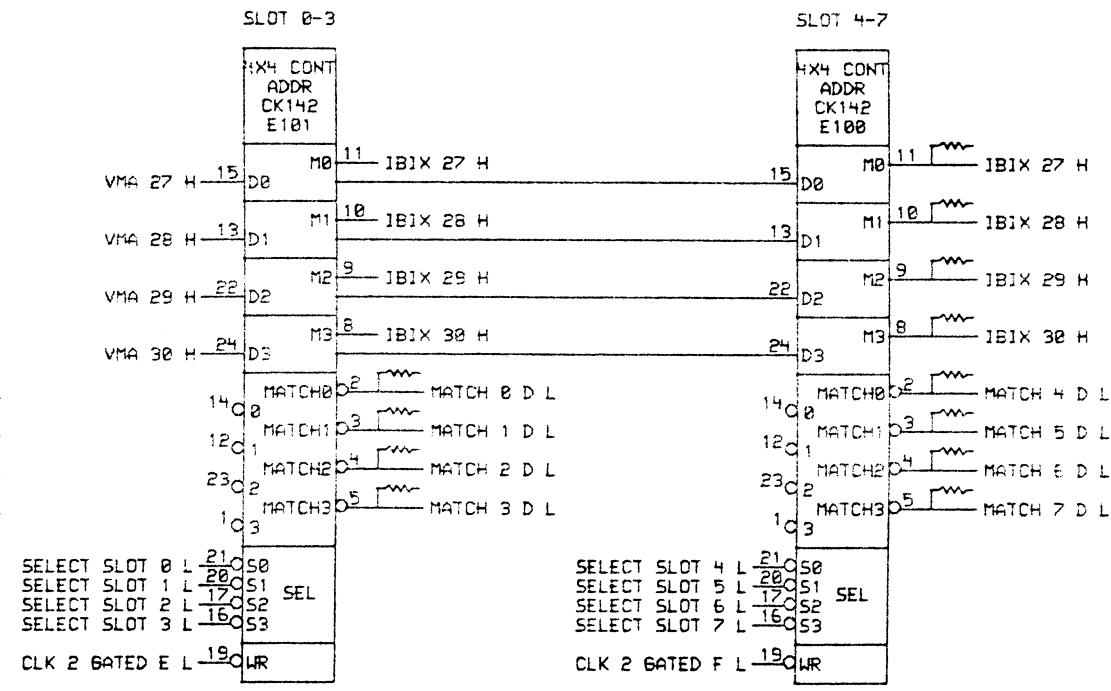
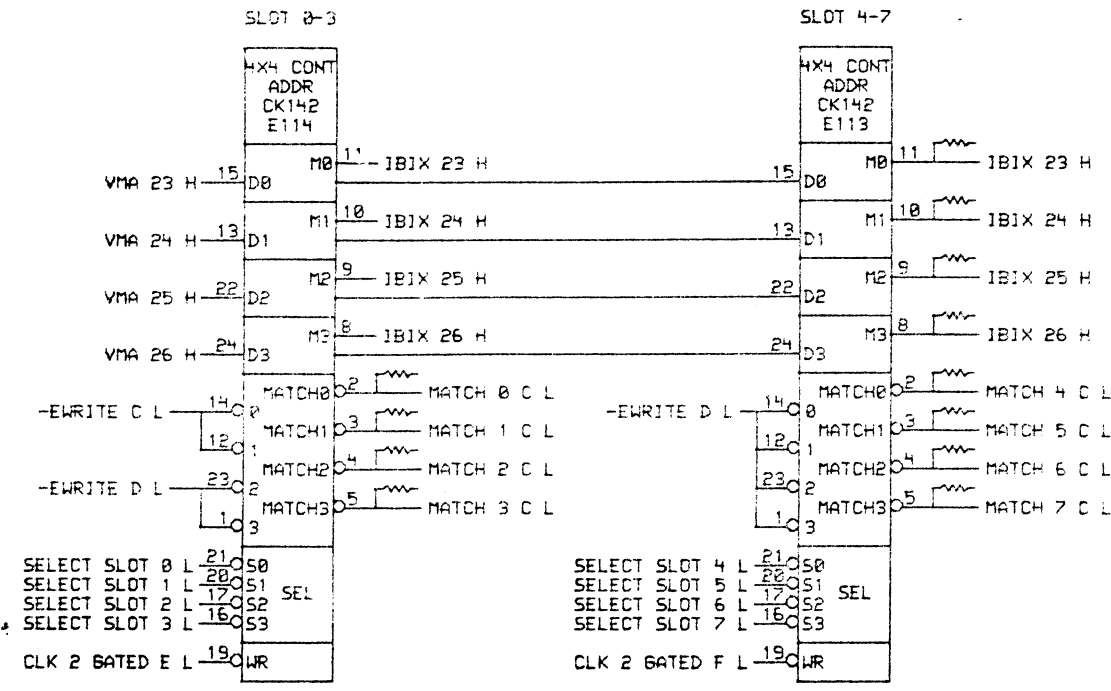
digital	DATE	ENG.	DATE	TITLE:
	01-JAN-82	J. Jambly		Y BUF 27-35 P27-35
	DATE	BOARD LOCATION:	SHEET	OF
VIL CAN < P080.L005-21DRH.DRW > 23-JUN-81 21:30	NEXT HIGHER ASSEMBLY:	SIZE	CODE	NUMBER
		D	CC	0056-0-1DRH
				REV.
				A



THIS DRAWING AND SPECIFICATIONS ARE THE PROPERTY OF DIGITAL EQUIPMENT CORPORATION AND SHALL NOT BE REPRODUCED OR COPIED OR USED IN WHOLE OR IN PART AS THE BASIS FOR THE MANUFACTURE OR SALE OF ITEMS WITHOUT WRITTEN PERMISSION. COPYRIGHT © 1982, DIGITAL EQUIPMENT CORPORATION.

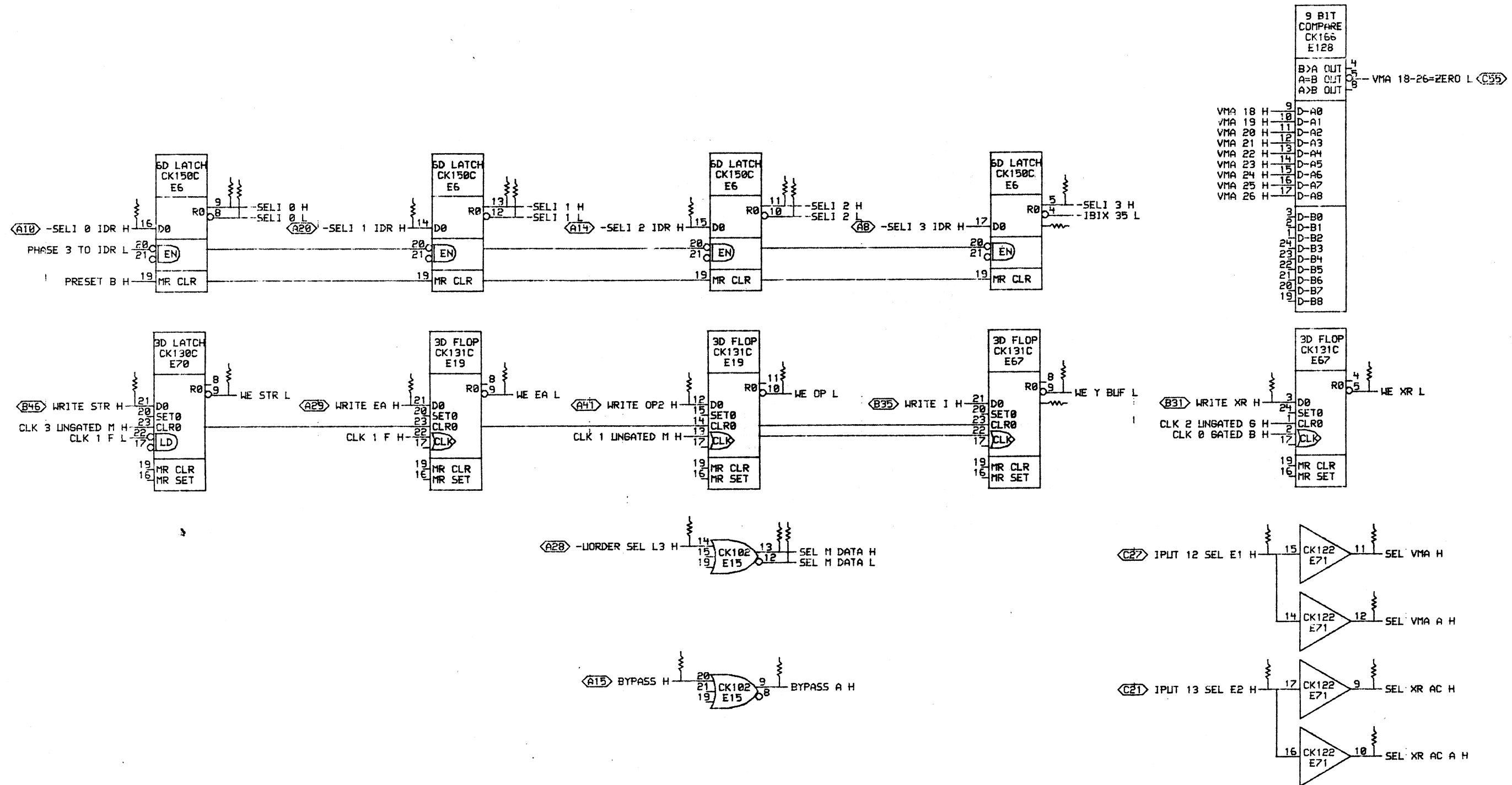
REVISIONS		
CHK	CHANGE NO.	REV

digital VLL CAN (2886 J 8096) 121DR1.DRW FIRST USED ON OPTION/MODEL:	DATE: 05-FEB-82 DATE: 04-FEB-82 10:43 NEXT HIGHER ASSEMBLY:	ENG. DATE: _____ BOARD LOCATION: _____ SHEET _____ OF _____	TITLE: IBIX COMP
	SIZE: D CODE: CS NUMBER: L0056-0-IDRI	REV.	NUMBER: 11 PARTS: 0-1DR1



THIS DRAWING AND SPECIFICATIONS ARE THE PROPERTY OF DIGITAL EQUIPMENT CORPORATION AND SHALL NOT BE REPRODUCED OR COPIED OR USED IN WHOLE OR IN PART AS THE BASIS FOR THE MANUFACTURE OR SALE OF ITEMS WITHOUT WRITTEN PERMISSION.

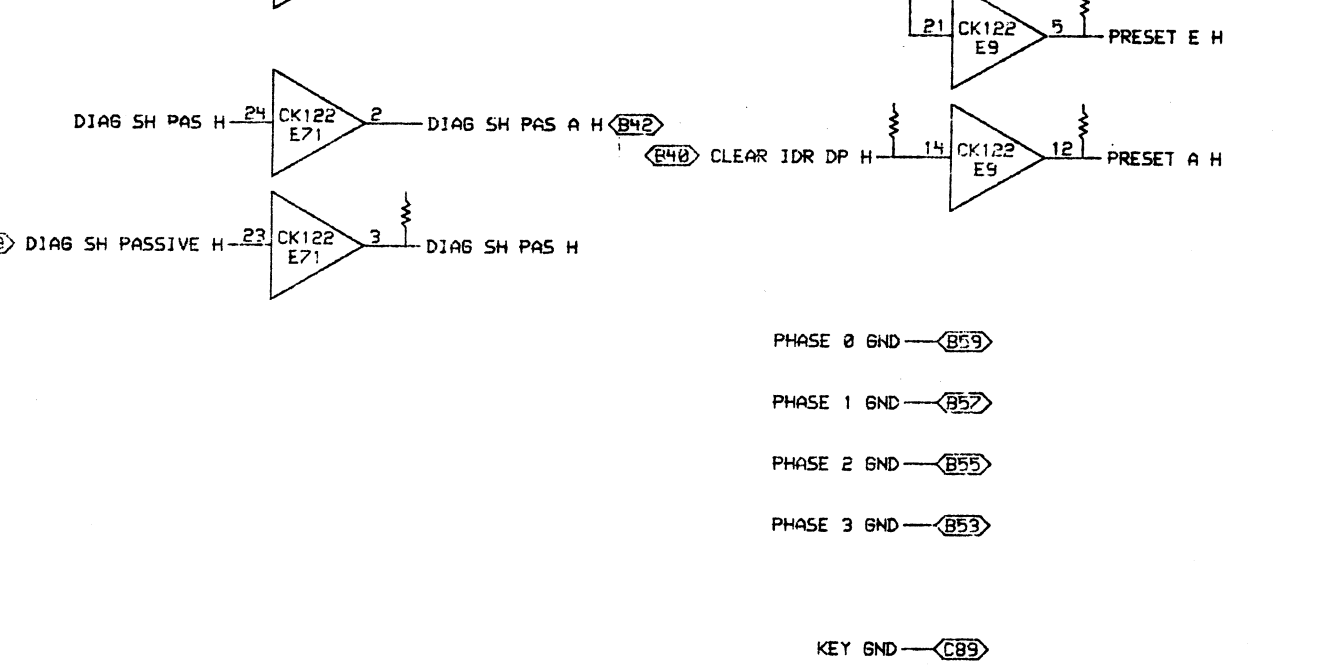
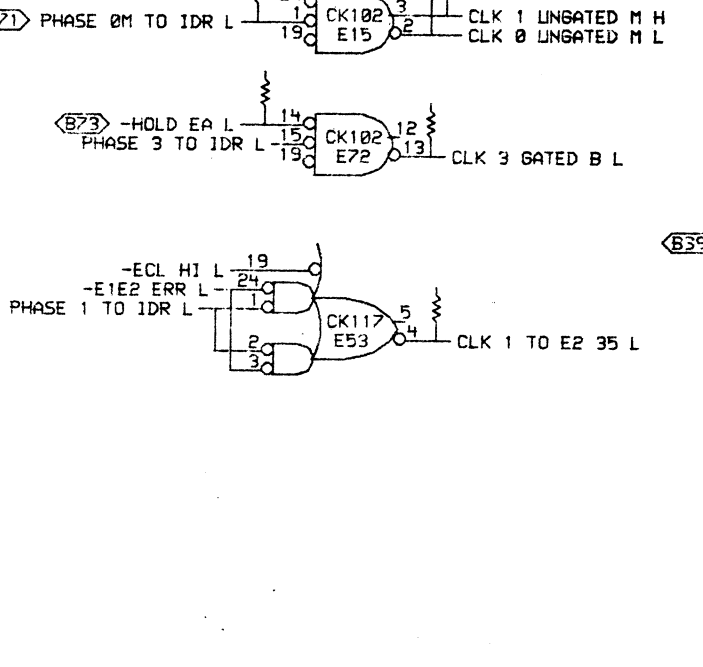
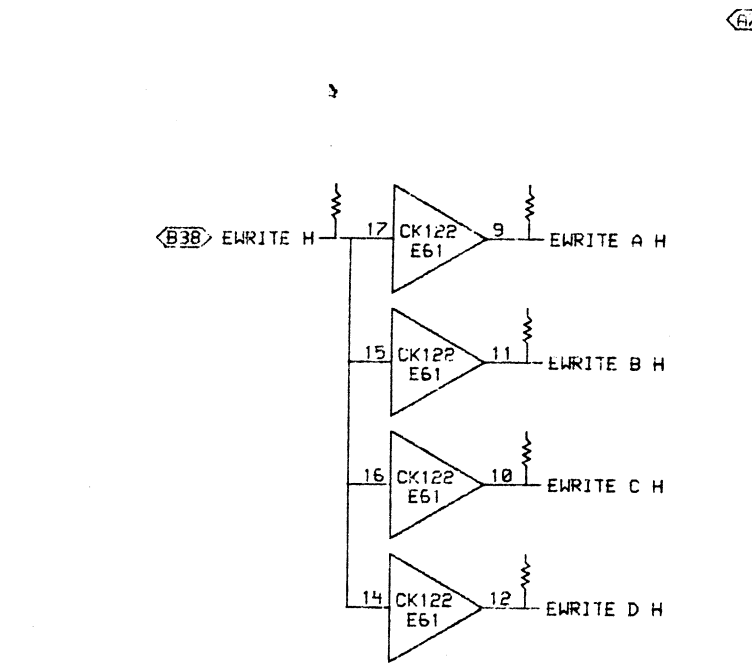
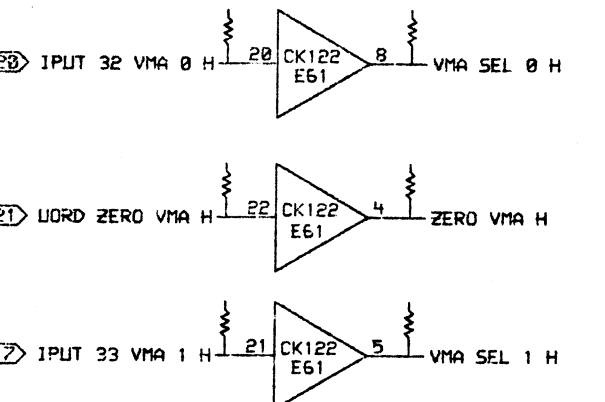
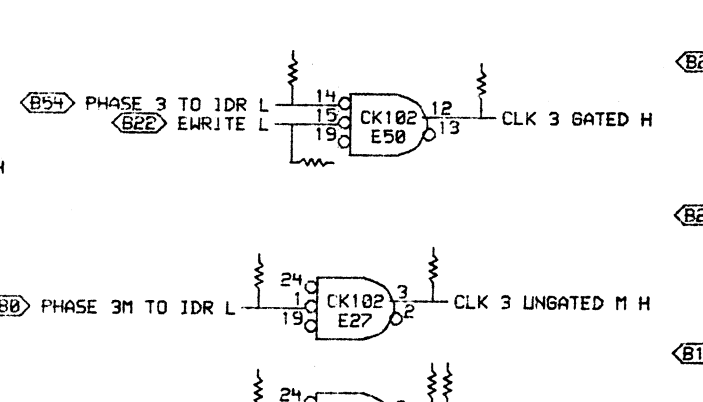
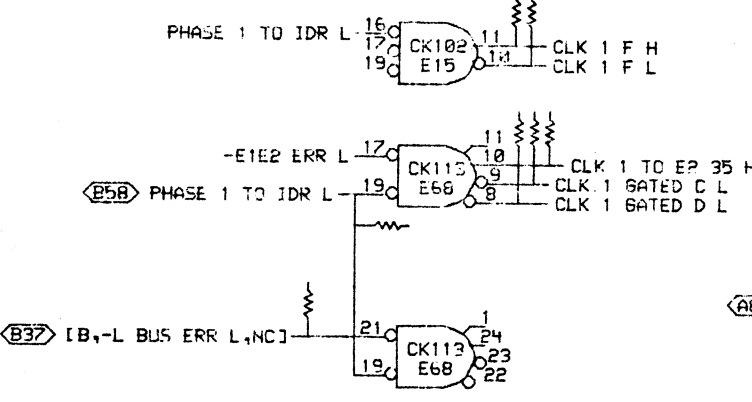
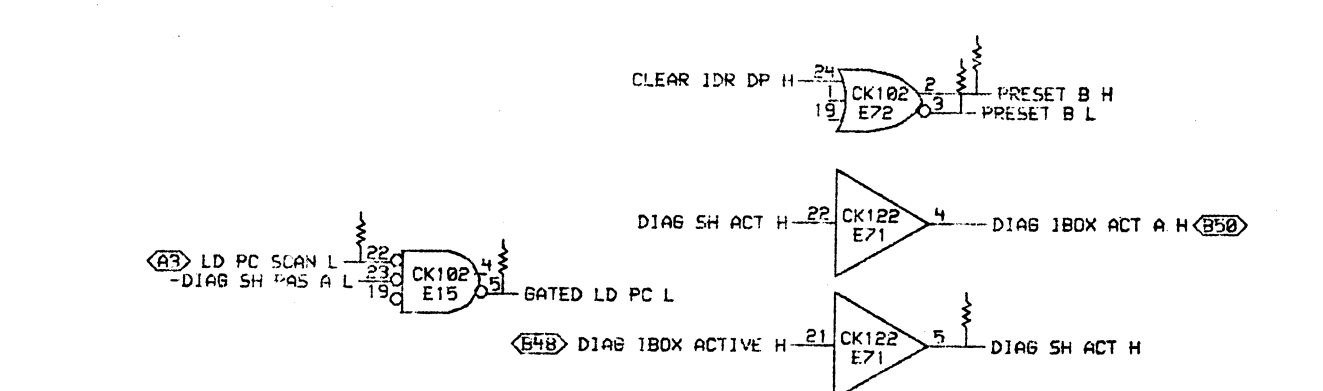
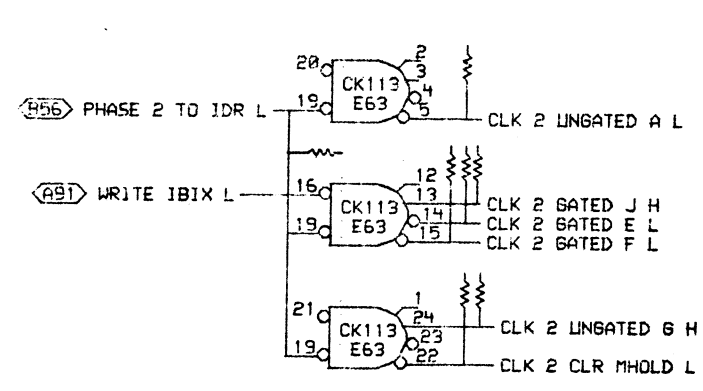
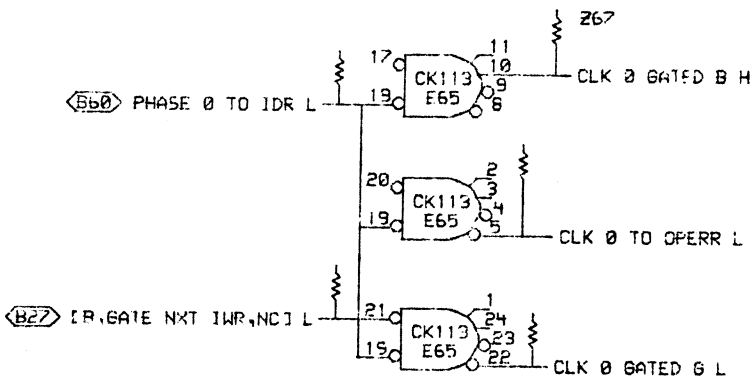
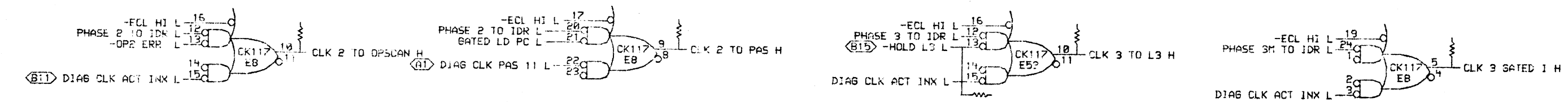
REVISIONS	
CHK	CHANGE NO. REV



DIAG CLK ACT [B,INX,12] L --- C53

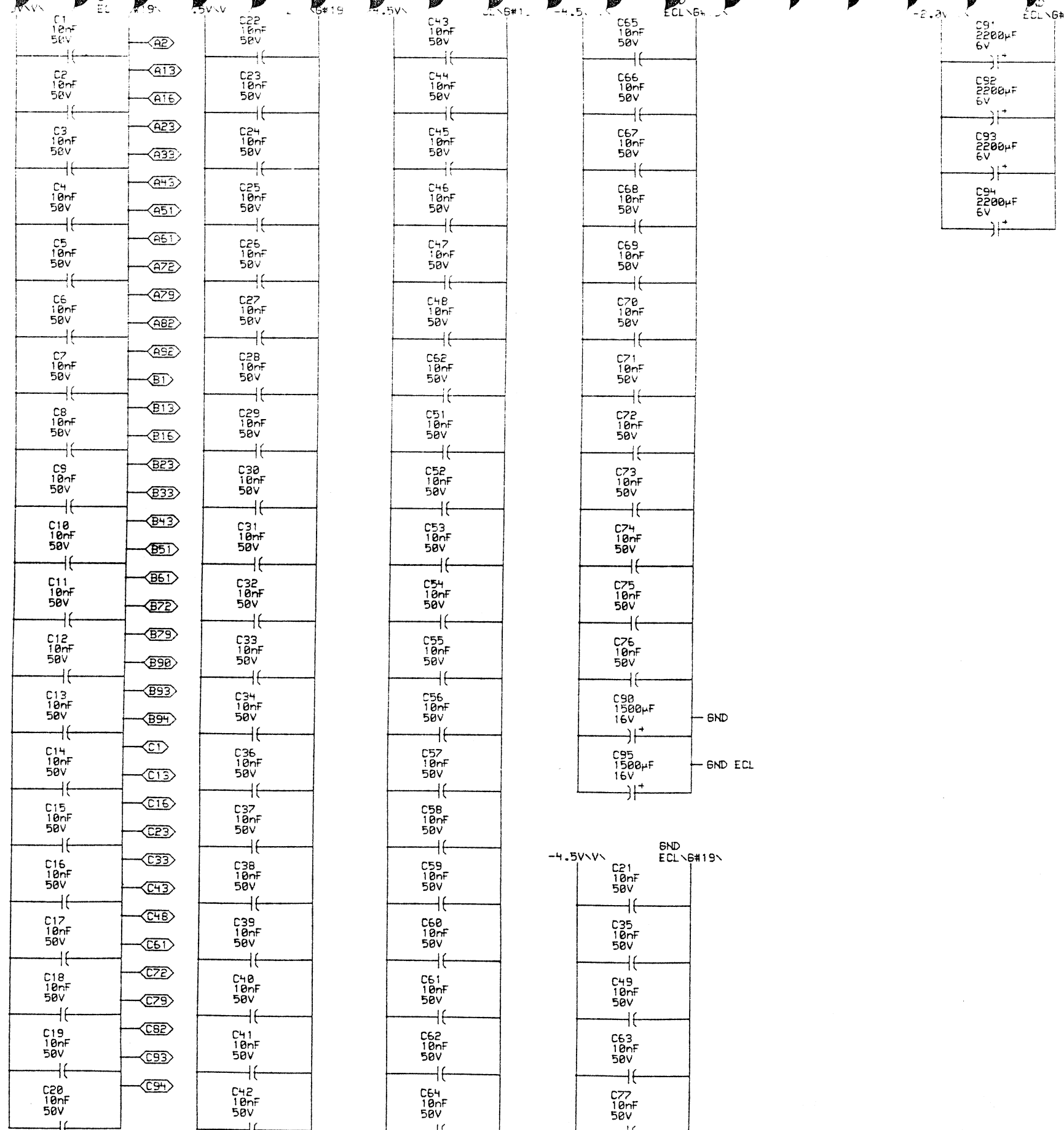
DIAG CLK PAS [B,11,12] L --- C55

[B,WRITE IB'X,MODRANT DLY] L --- C54



- PHASE 0 GND --- B59
- PHASE 1 GND --- B57
- PHASE 2 GND --- B55
- PHASE 3 GND --- B53

- KEY GND --- C89
- [B,KEY OPEN,NC] --- C90



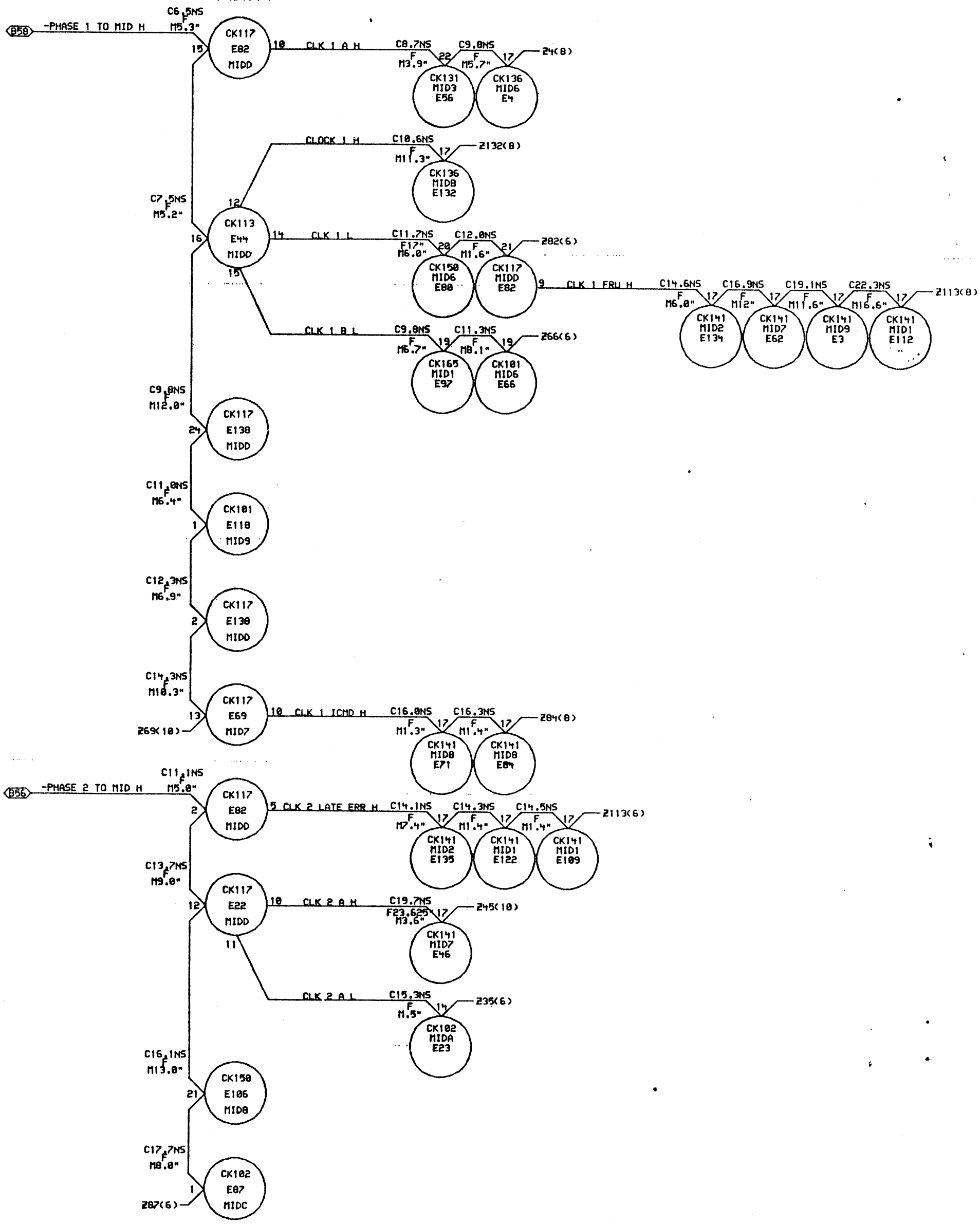
THIS DRAWING AND SPECIFICATIONS ARE THE PROPERTY OF DIGITAL EQUIPMENT CORPORATION AND SHALL NOT BE REPRODUCED OR COPIED IN WHOLE OR IN PART OR USED IN ANY MANNER WITHOUT THE WRITTEN PERMISSION OF DIGITAL EQUIPMENT CORPORATION. COPYRIGHT © 1982.

REVISIONS		
CHK	CHANGE NO.	REV.

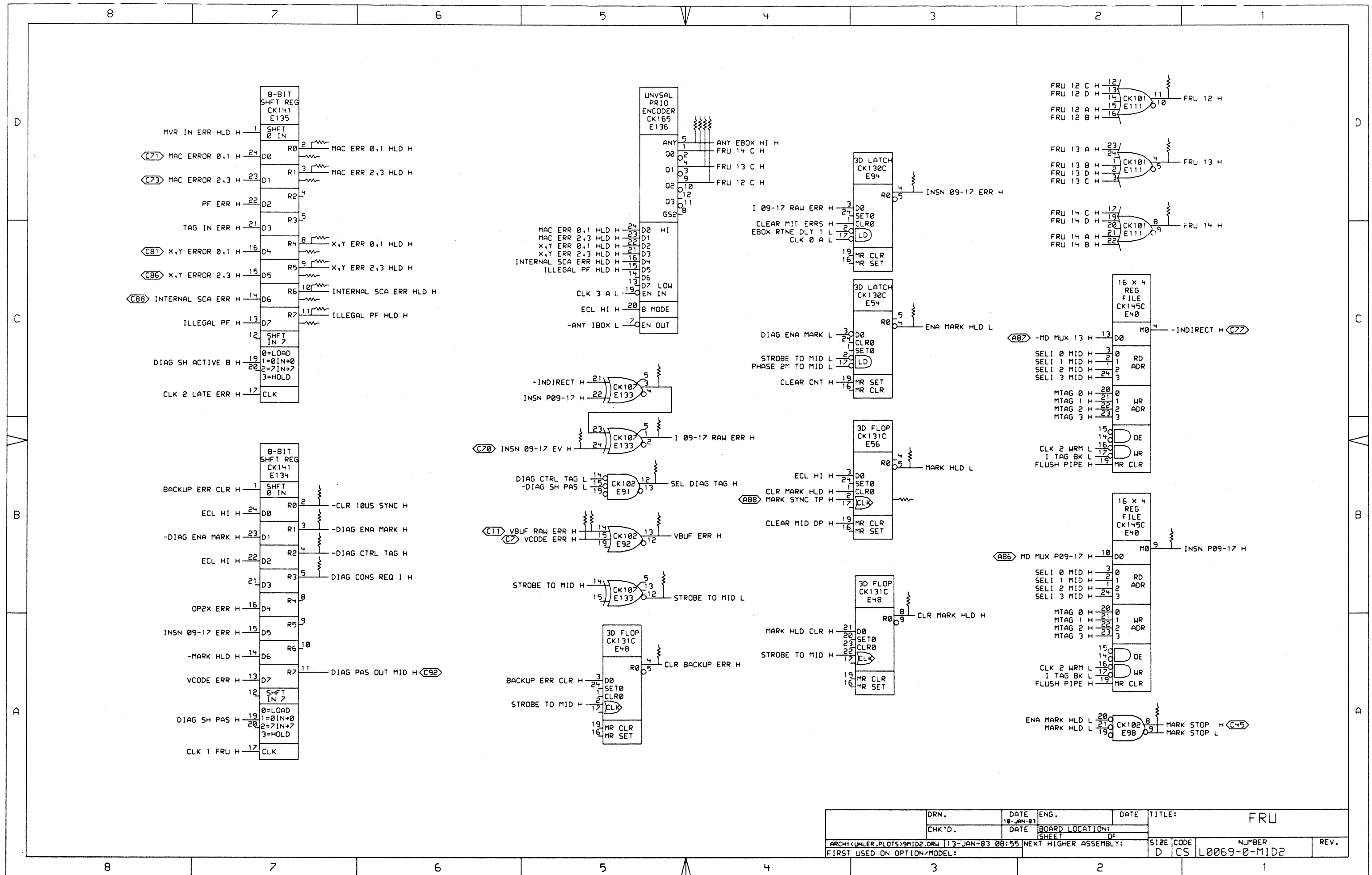
	DATE	ENG.	DATE	TITLE: 2080 ROUTING TEST CAPACITOR DRAWINGS
	DATE	CHK'D.	DATE	
VLL CAN 2080 L0056-0-1DRN.DRN 113-AUG-81 16:42		NEXT HIGHER ASSEMBLY:		SIZE CODE NUMBER REV. D 05 10056-0-1DRN

REV. NUMBER L0056-0-1DRN CODE CS SIZE D B A

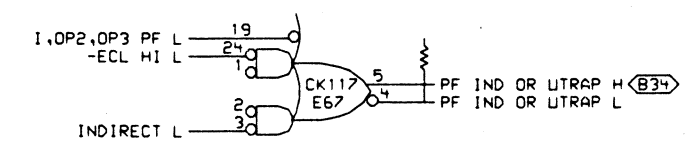
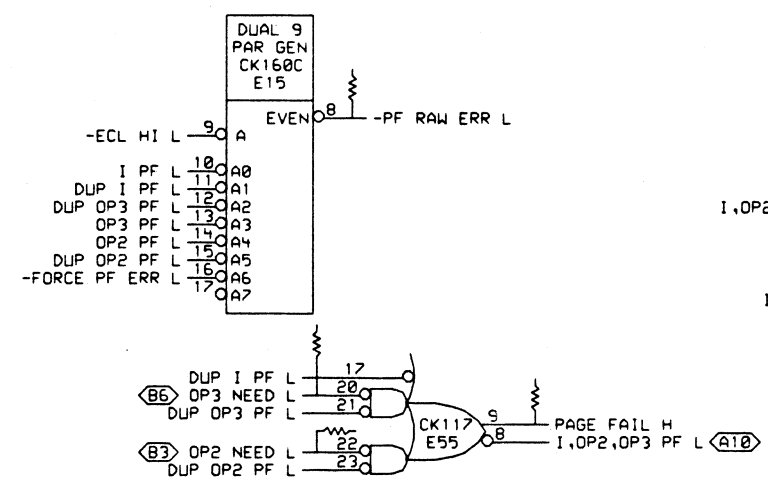
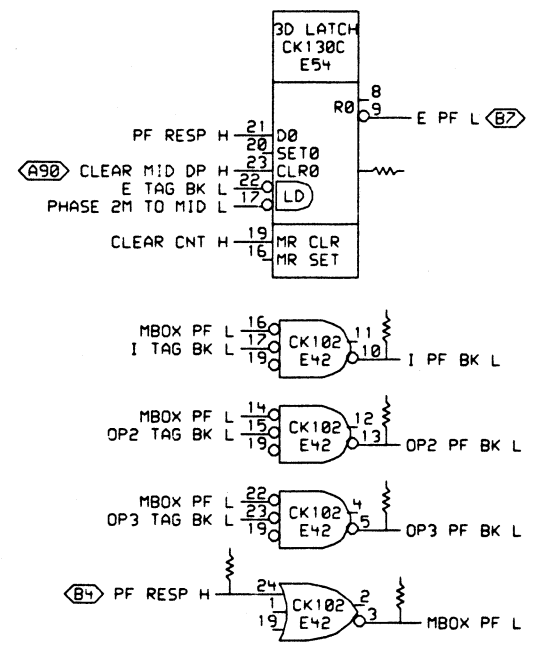
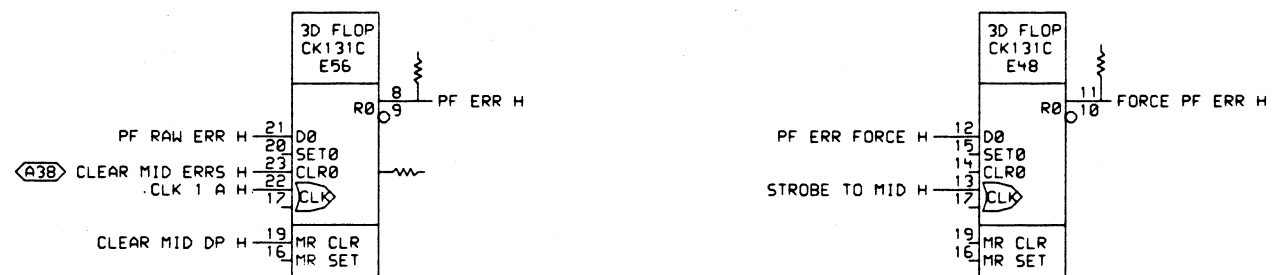
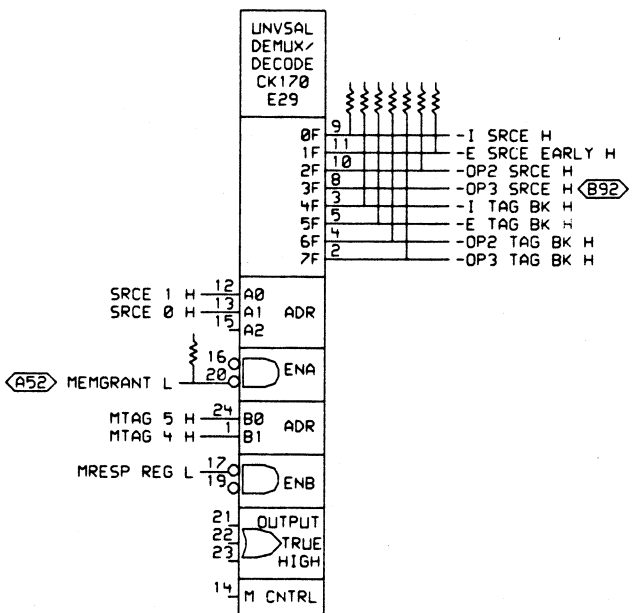
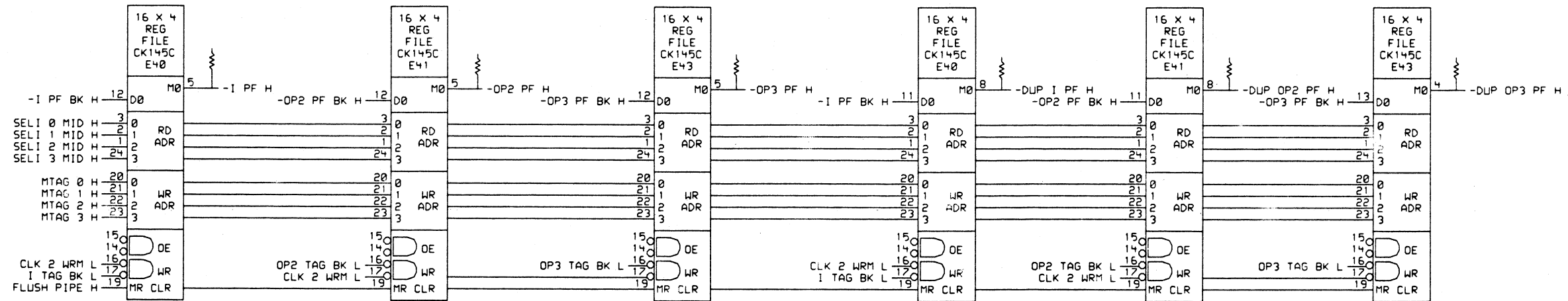
VULCAN:<2080.L0069.REVC>CMID1
VULCAN:<2080.L0069.REVC>9CMID2
VULCAN:<2080.L0069.REVC>10CMID3
VULCAN:<2080.L0069.REVC>CMID4
VULCAN:<2080.L0069.REVC>CMID5
VULCAN:<2080.L0069.REVC>CMID6
VULCAN:<2080.L0069.REVC>11CMID7
VULCAN:<2080.L0069.REVC>7CMID8
VULCAN:<2080.L0069.REVC>8CMID9
VULCAN:<2080.L0069.REVC>4CMIDA
VULCAN:<2080.L0069.REVC>4CMIDB
VULCAN:<2080.L0069.REVC>CMIDC
VULCAN:<2080.L0069.REVC>6CMIDD
VULCAN:<2080.L0069.REVC>10CMIDE



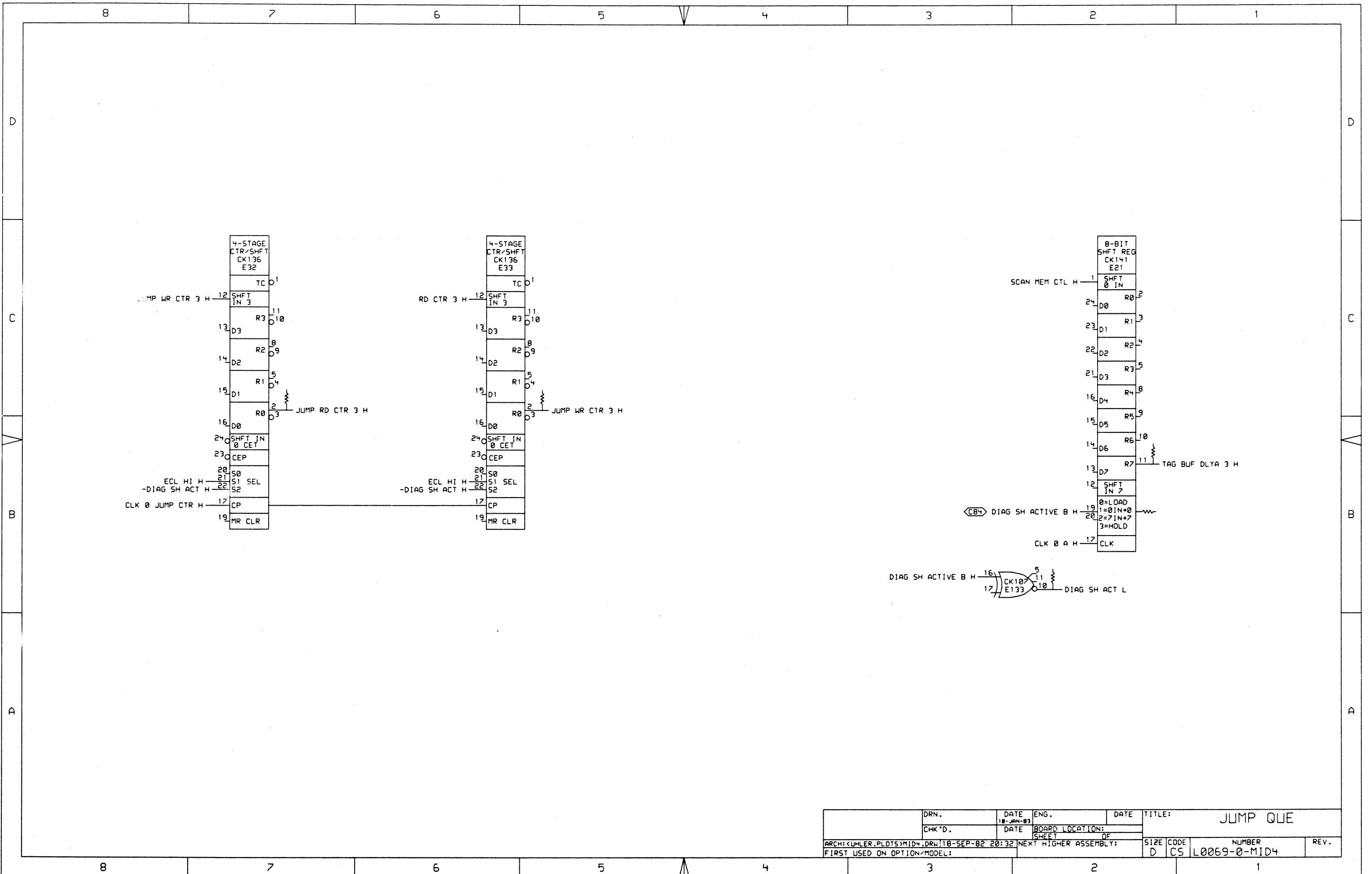
DRN.	DATE	ENG.	DATE	TITLE:
CHK'D.	DATE	BOARD LOCATION:		
		SHEET	OF	
FIRST USED ON OPTION/MODEL:		NEXT HIGHER ASSEMBLY:		SIZE CODE NUMBER REV.
		D	CS	



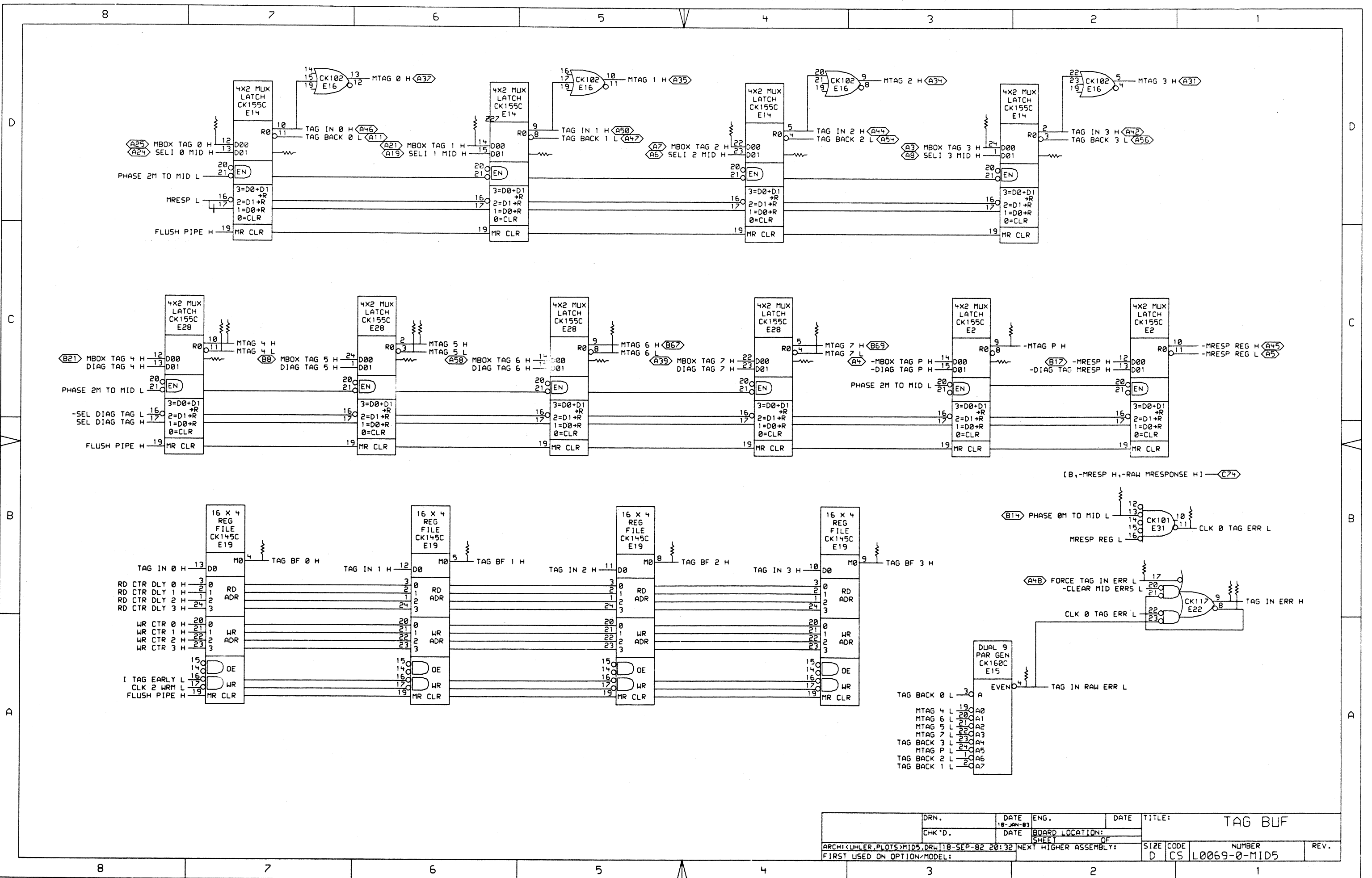
DRN.	DATE	ENG.	DATE	TITLE:	FRU
CHK'D.	18-JAN-83	BOARD LOCATION:			
ARCH: <CUNLER.PLOTS>9MID2.DRW	13-JAN-83 08:55	NEXT HIGHER ASSEMBLY:		SIZE CODE	NUMBER
FIRST USED ON OPTION/MODEL:				D CS	L0069-0-MID2
					REV.



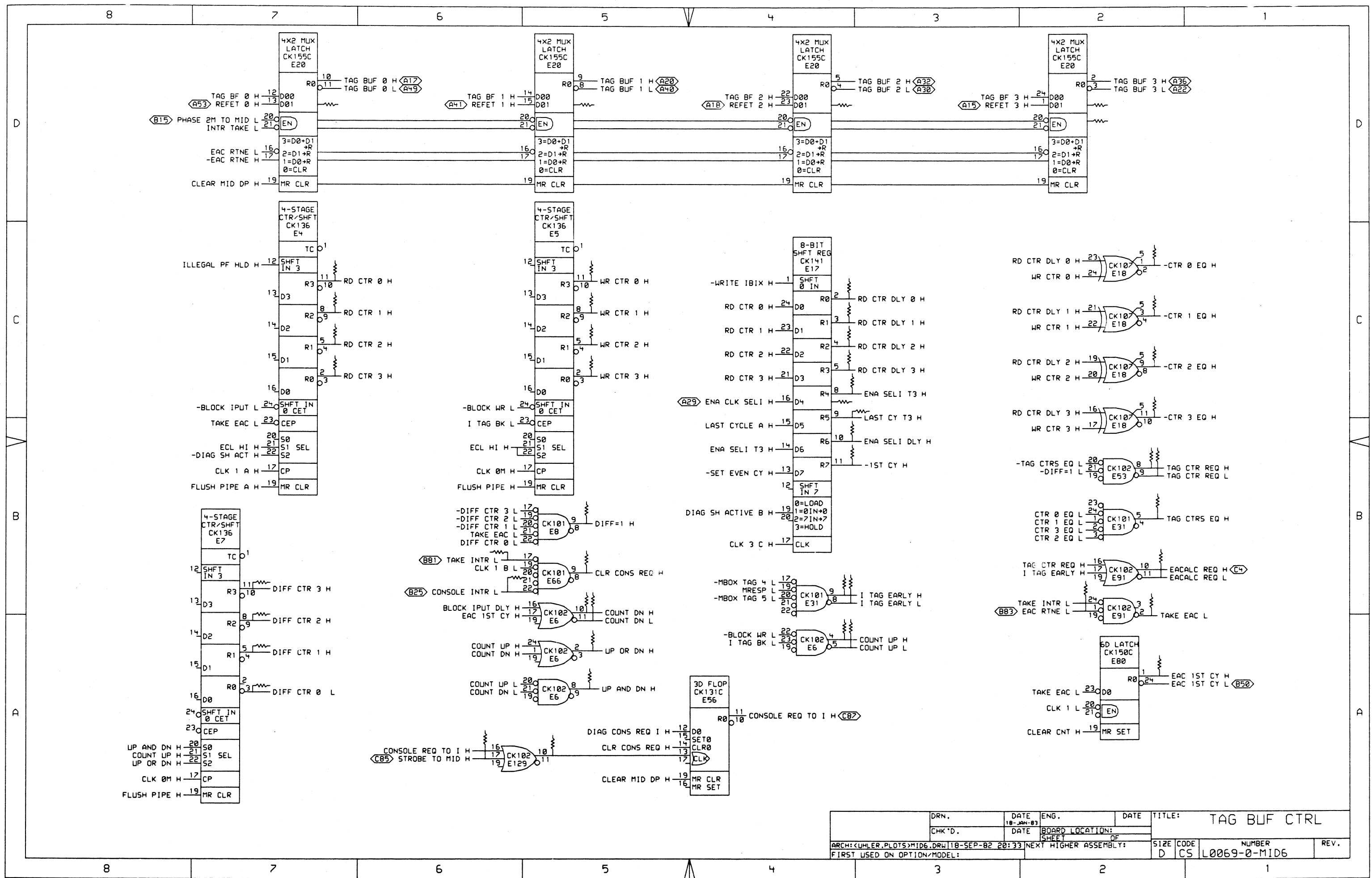
DRN.	DATE	ENG.	DATE	TITLE:	PAGE FAIL		
CHK'D.	18-JAN-83	BOARD LOCATION:					
ARCH: <UHLER.PLOTS>10MID3.DRW	13-JAN-83 15:12	NEXT HIGHER ASSEMBLY:		SIZE	CODE	NUMBER	REV.
FIRST USED ON OPTION/MODEL:				D	CS	L0069-0-MID3	



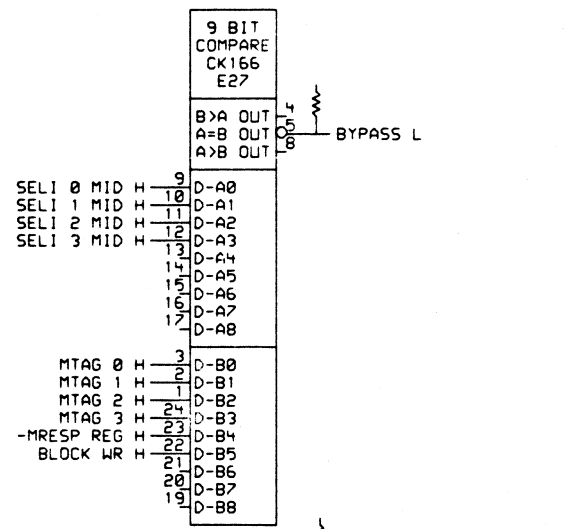
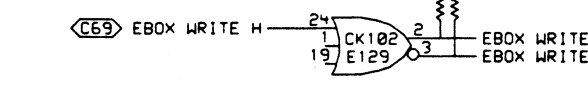
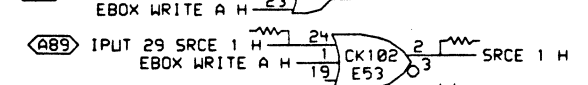
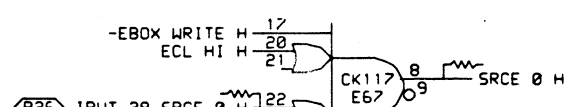
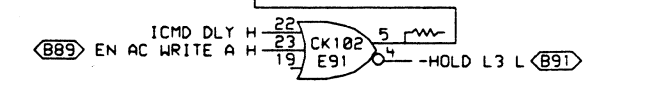
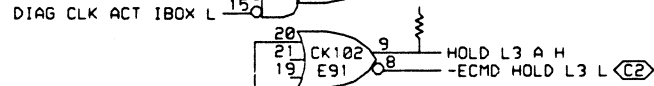
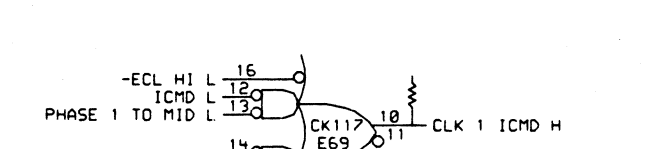
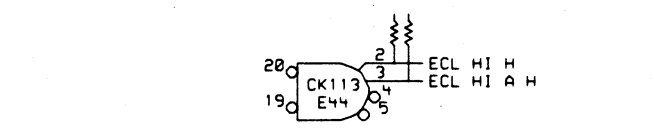
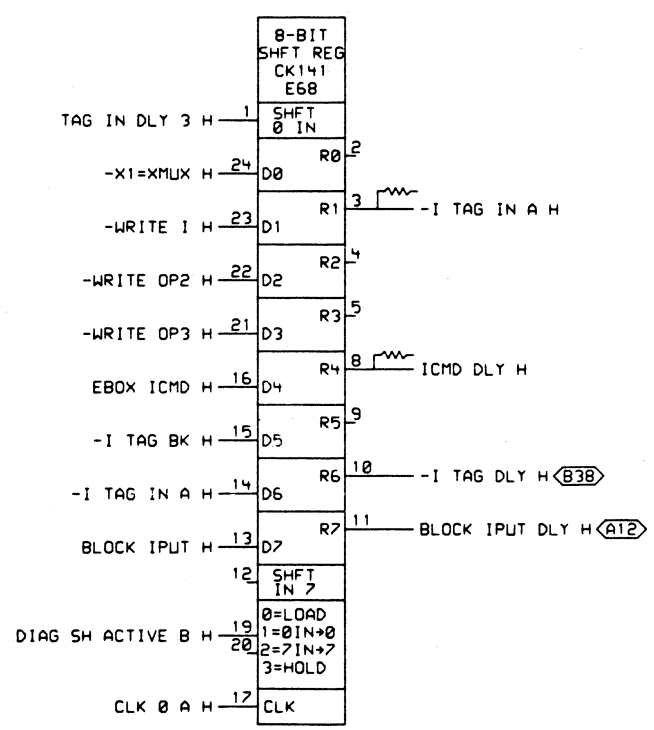
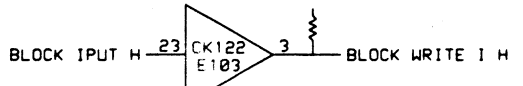
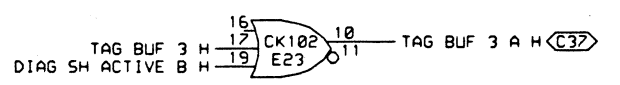
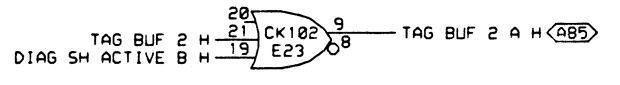
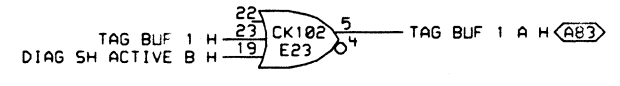
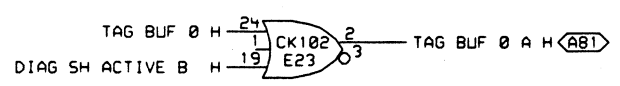
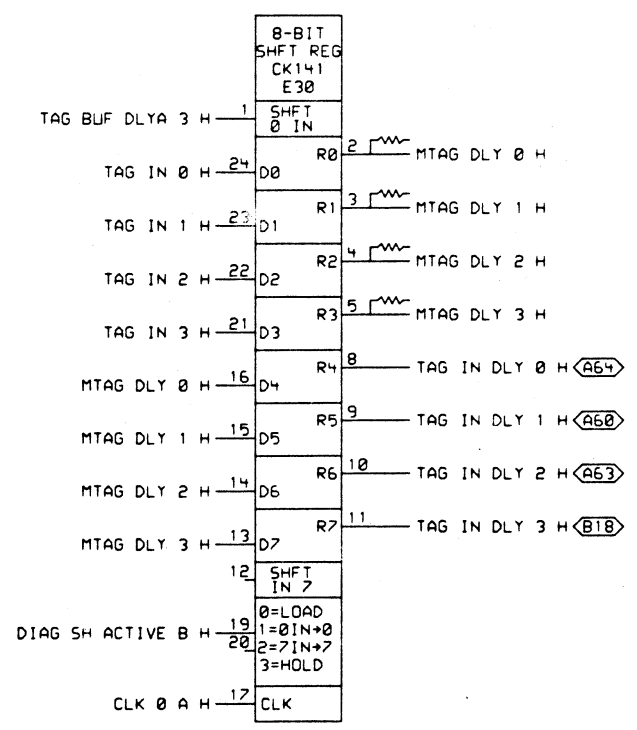
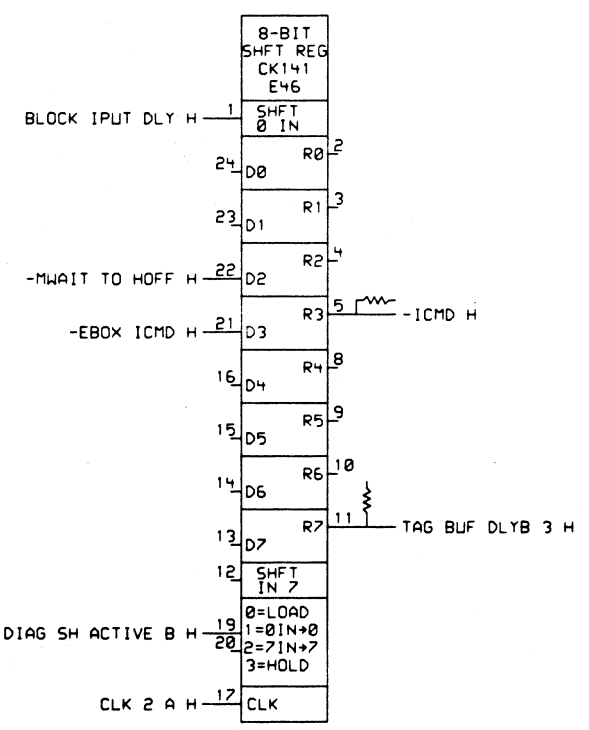
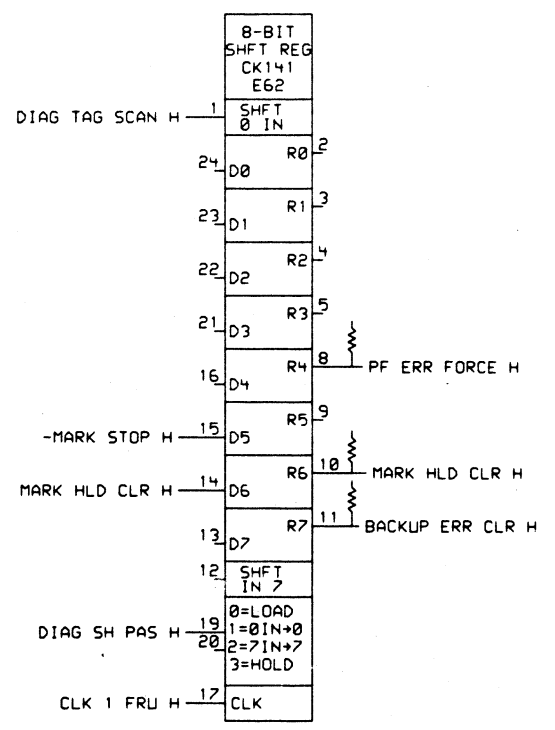
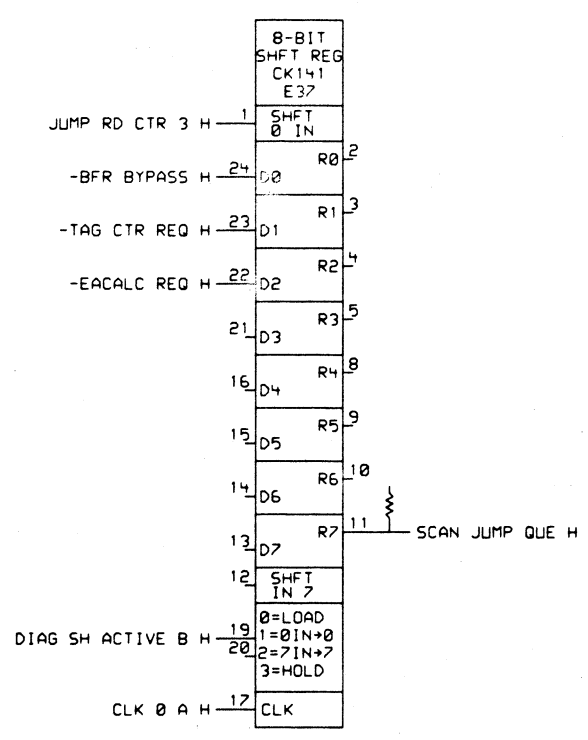
DRN.	DATE	ENG.	DATE	TITLE:
CHK'D.	18-JAN-83			JUMP QUE
ARCH: <UHLER.PLOTS>MID4.DRW:18-SEP-82 20:32 NEXT HIGHER ASSEMBLY:				SIZE CODE NUMBER REV.
FIRST USED ON OPTION/MODEL:				D CS L0069-0-MID4



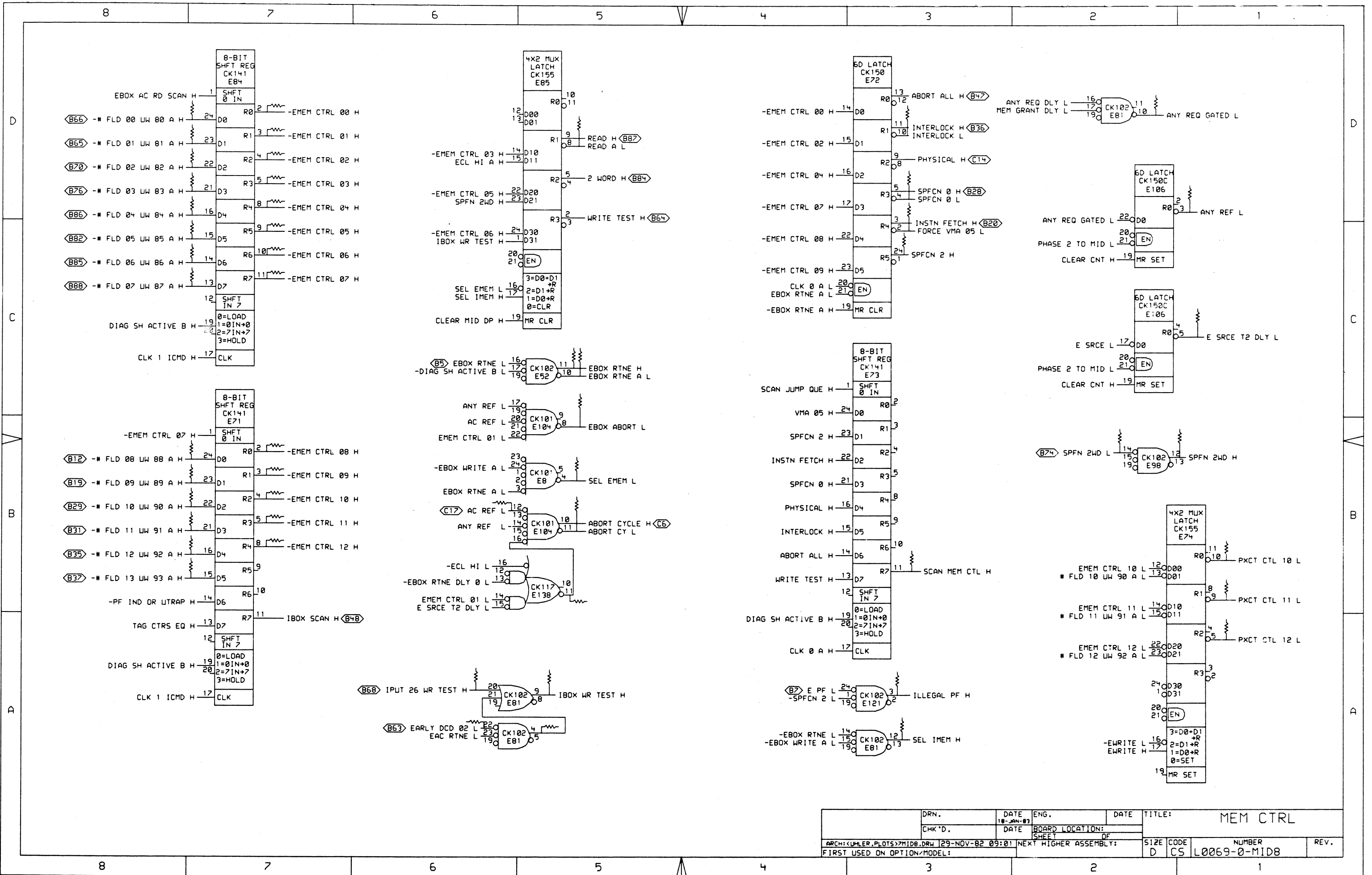
DRN.	DATE	ENG.	DATE	TITLE:	TAG BUF		
CHK'D.	DATE	BOARD LOCATION:	SHEET	OF	SIZE	CODE	NUMBER
ARCH: \LHLMR.PLOTS\MID5.DRW 18-SEP-82 20:32 NEXT HIGHER ASSEMBLY:				REV.	D	CS	L0069-0-MID5



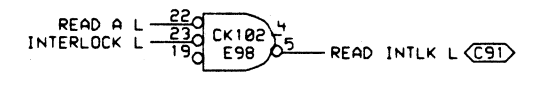
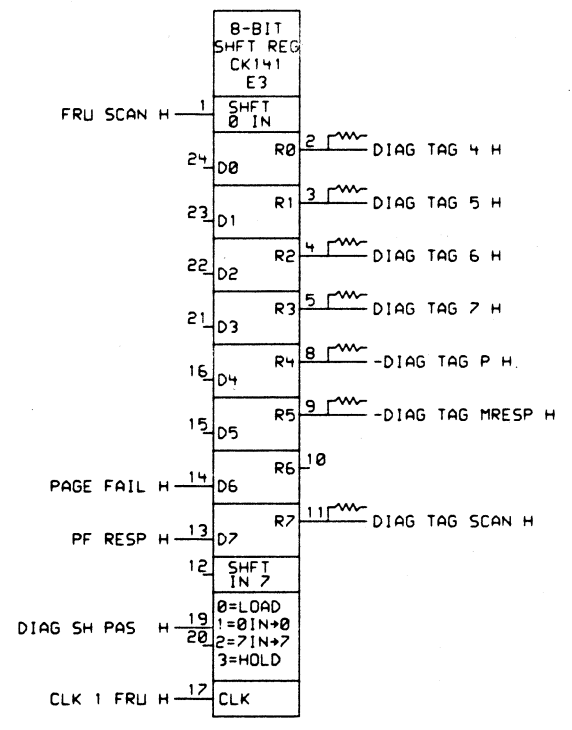
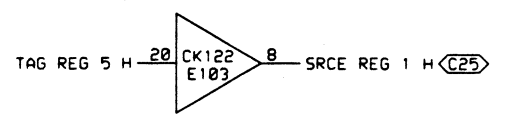
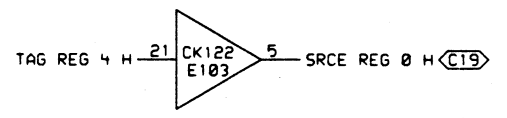
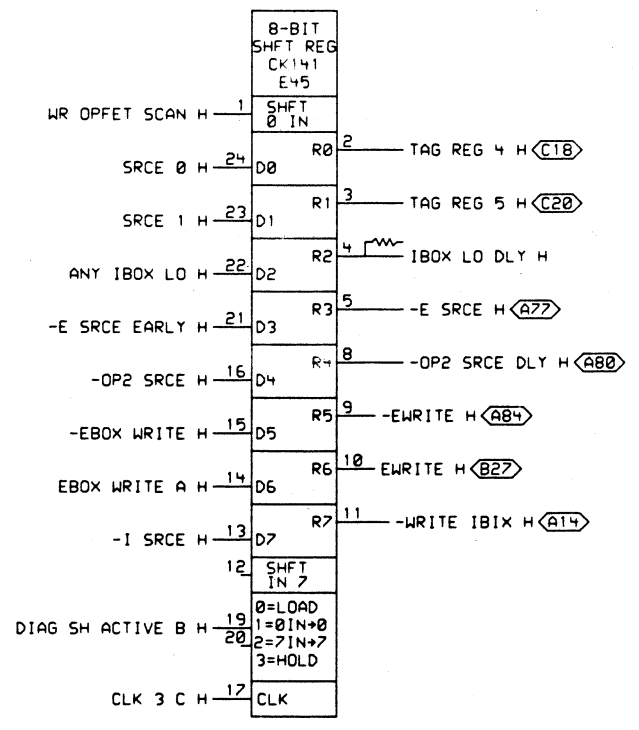
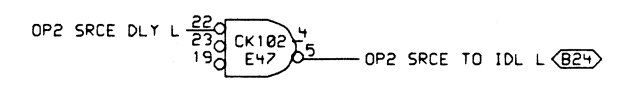
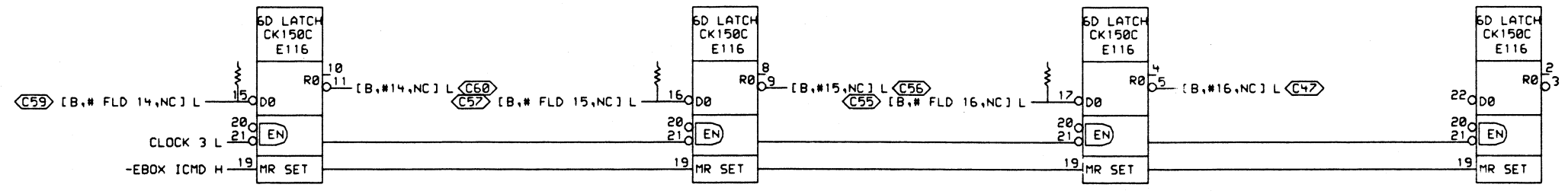
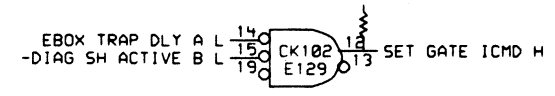
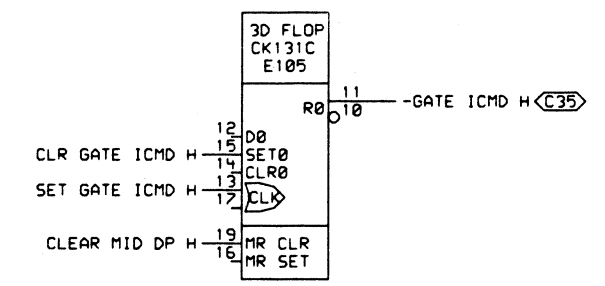
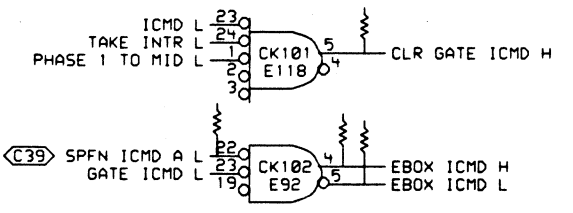
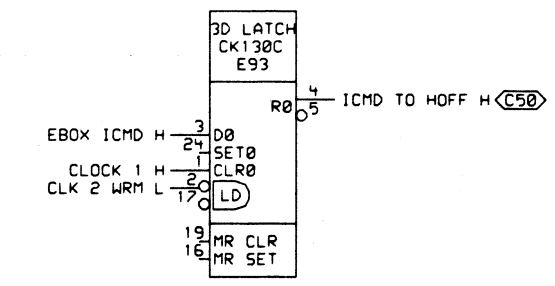
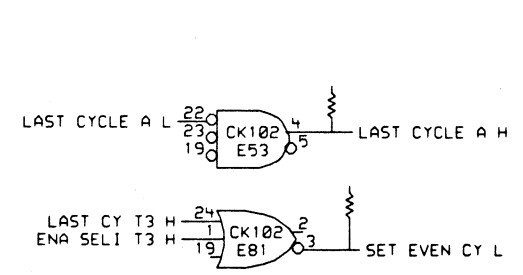
DRN.	DATE	ENG.	DATE	TITLE:
CHK'D.	18-JAN-83	BOARD LOCATION:		TAG BUF CTRL
		SHEET	OF	
ARCH: <UHLER.PLOTS>MID6.DRW	118-SEP-82 20:33	NEXT HIGHER ASSEMBLY:	SIZE	CODE
FIRST USED ON OPTION/MODEL:			D	CS
			NUMBER	REV.
			L0069-0-MID6	



DRN.	DATE	ENG.	DATE	TITLE:
CHK'D.	18-JAN-83			DLY REGS
ARCH: <UHLER.PLOTS>11MID7.DRW 14-JAN-83 12:42				NUMBER
FIRST USED ON OPTION/MODEL:				L0069-0-MID7
NEXT HIGHER ASSEMBLY:			REV.	



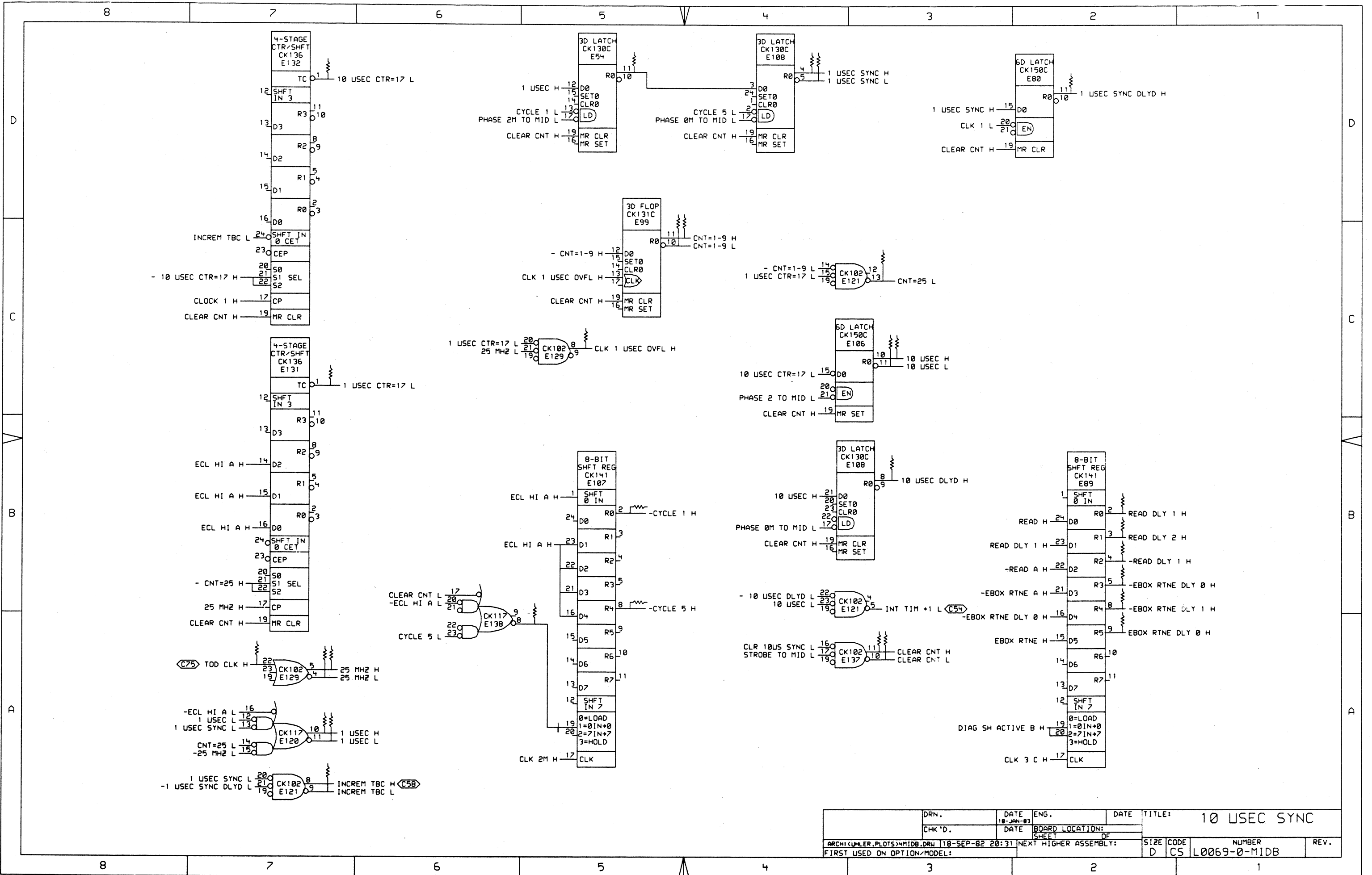
DRN.	DATE	ENG.	DATE	TITLE:
CHK'D.	10-JAN-83			MEM CTRL
ARCH: <UMLER.PLOTS>MIDB.DRW	DATE	BOARD LOCATION:	SHEET	OF
29-NOV-82 09:01				
FIRST USED ON OPTION/MODEL:	NEXT HIGHER ASSEMBLY:	SIZE	CODE	NUMBER
		D	CS	L0069-0-MID8
				REV.



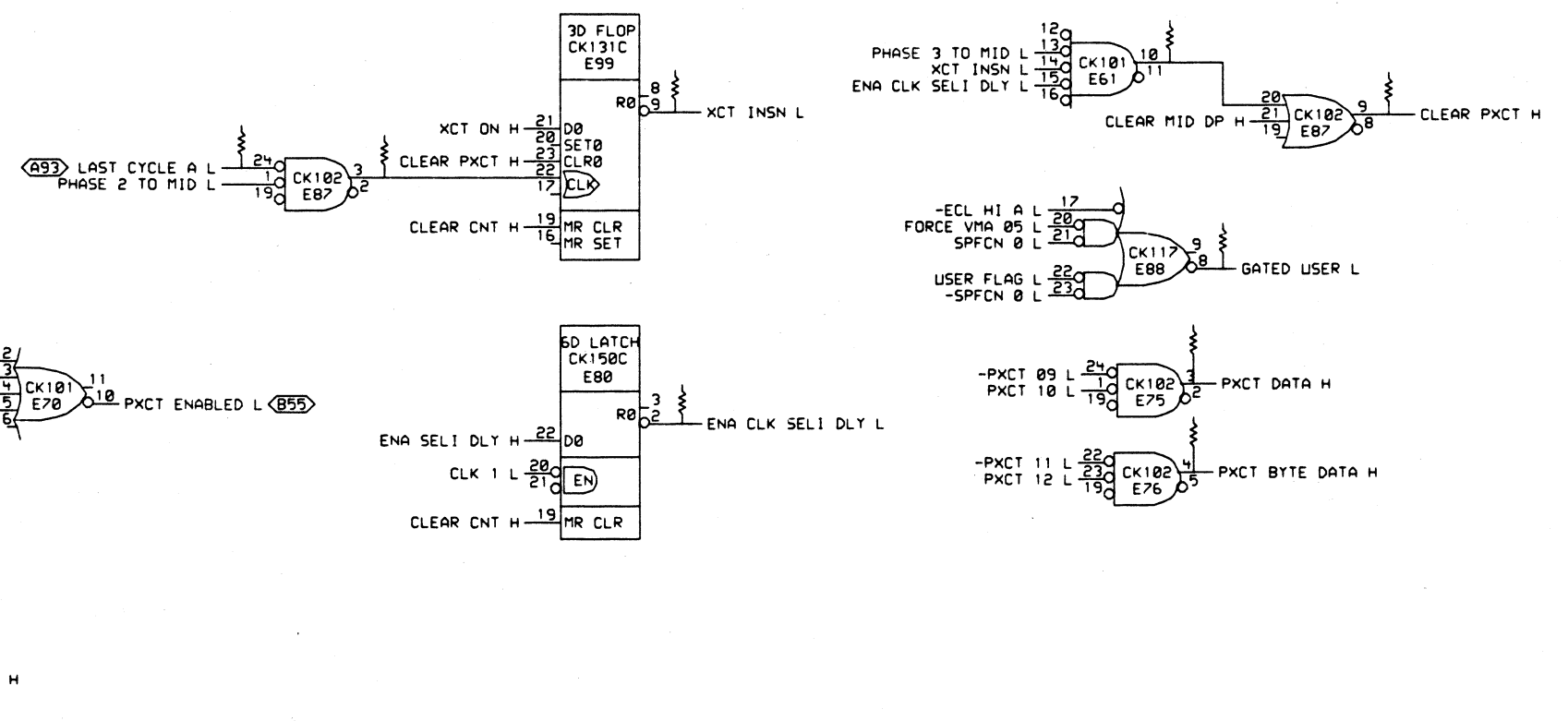
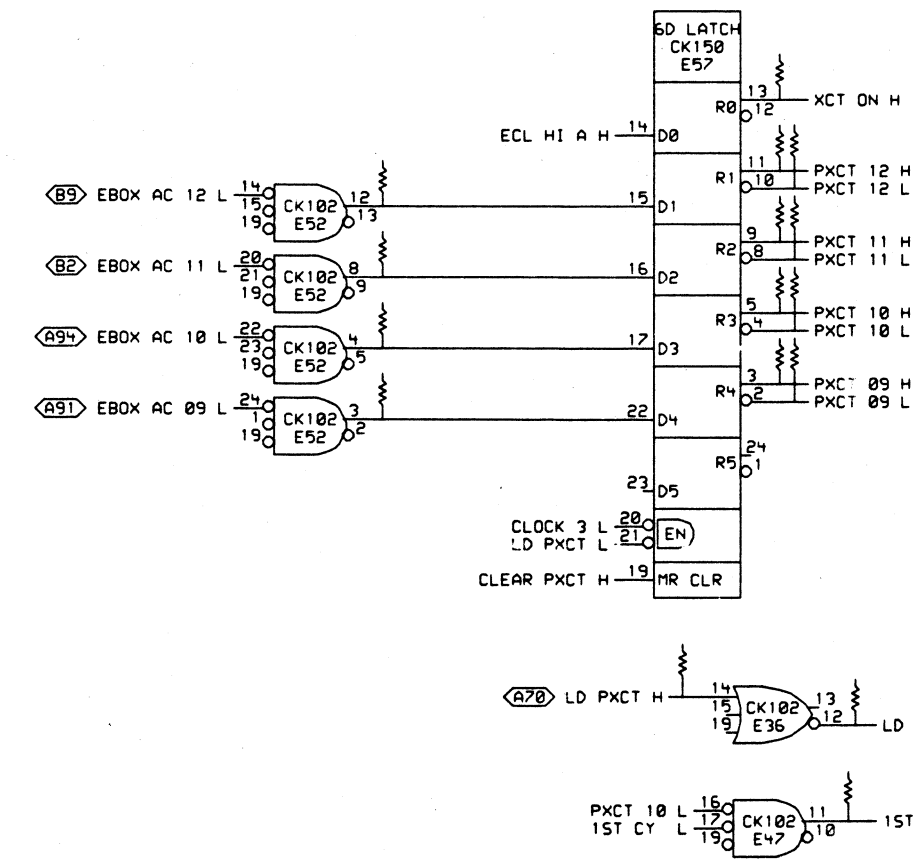
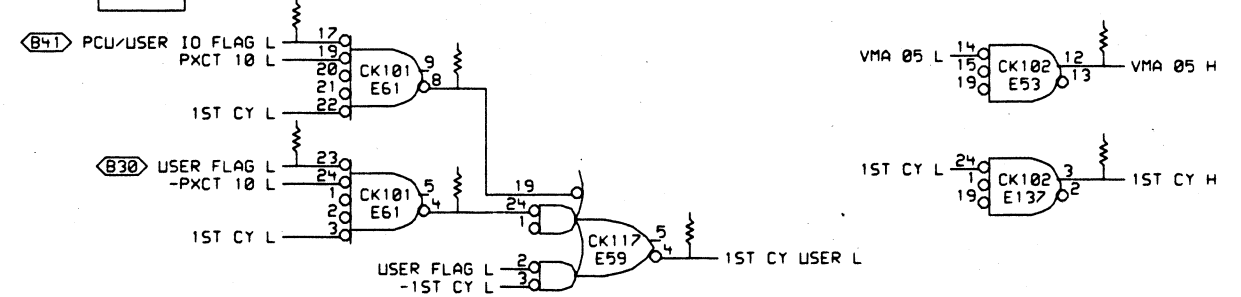
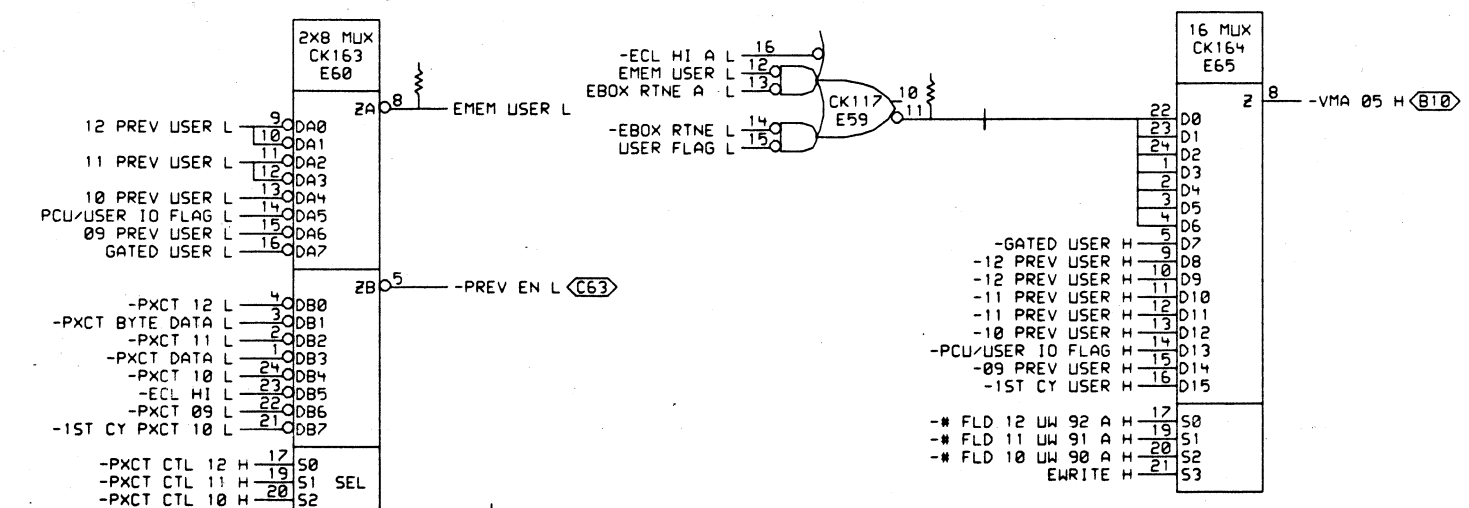
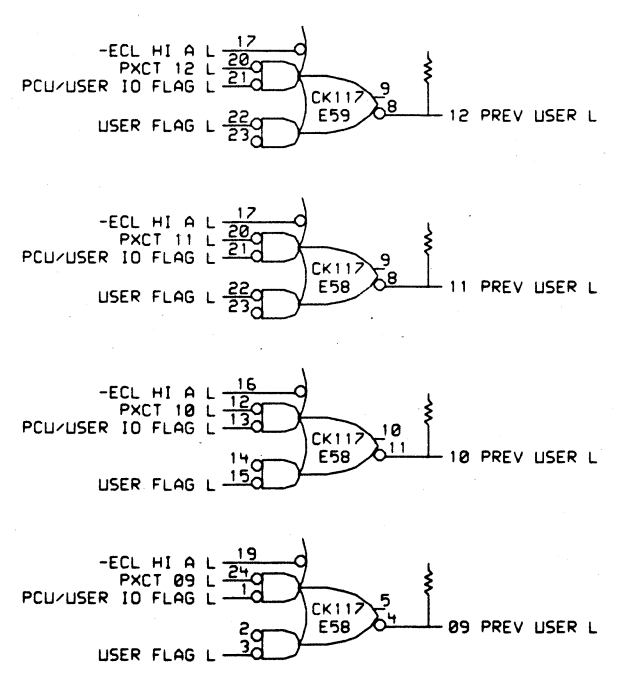
D
C
B
A

D
C
B
A

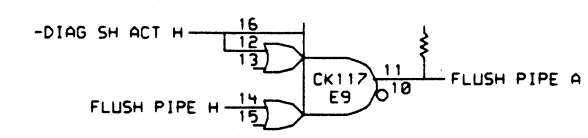
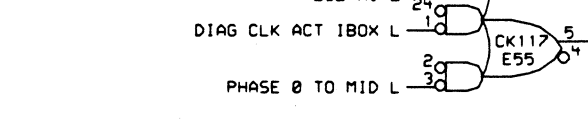
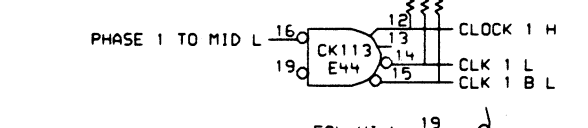
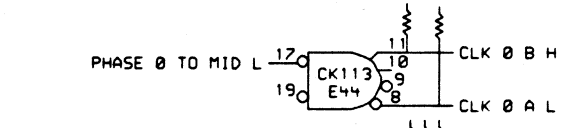
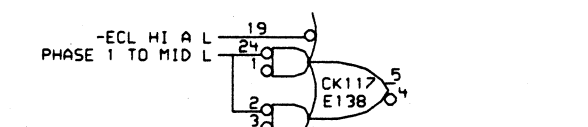
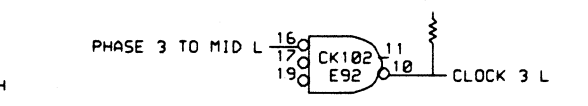
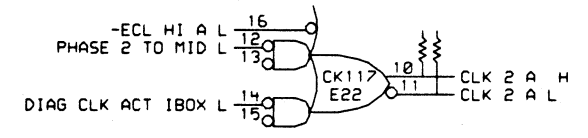
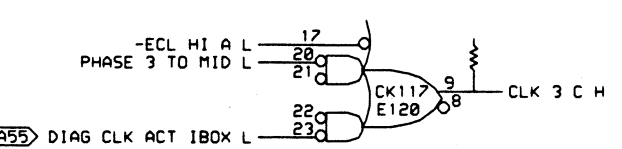
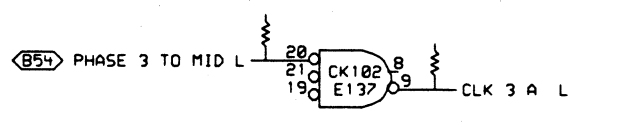
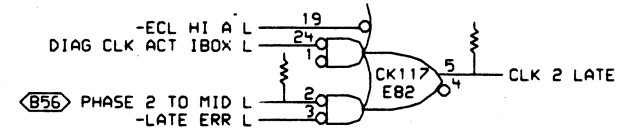
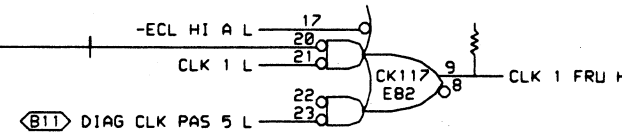
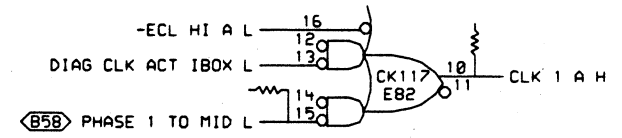
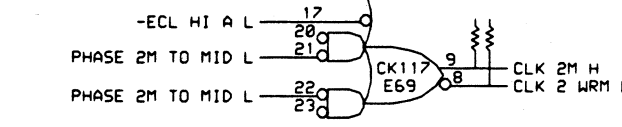
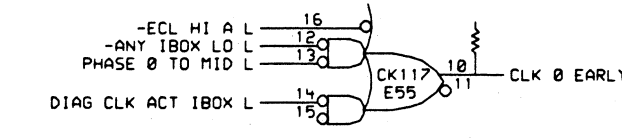
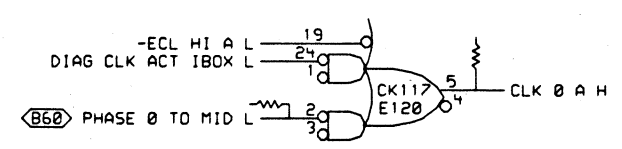
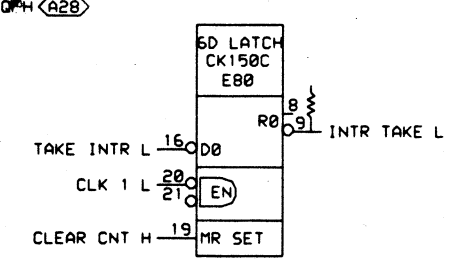
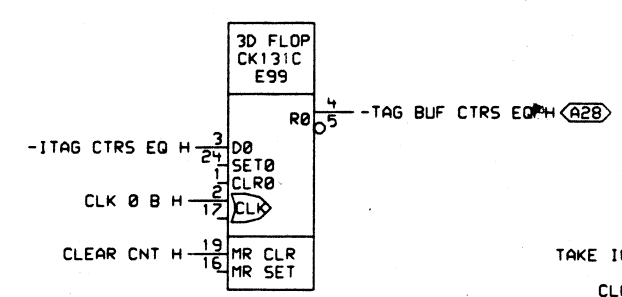
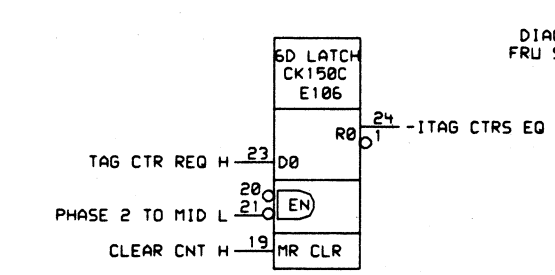
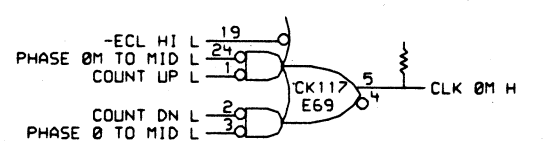
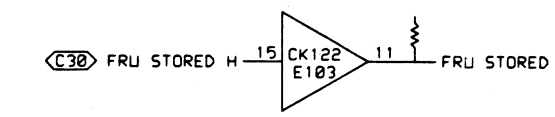
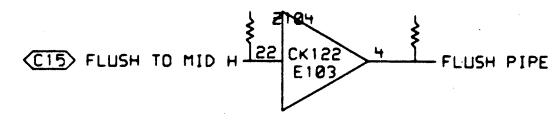
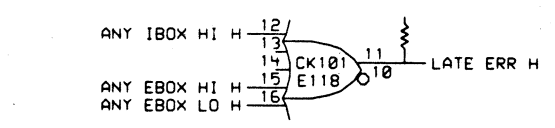
DRN.	DATE	ENG.	DATE	TITLE:	DIAG TAG		
CHK'D.	DATE	BOARD LOCATION:	SHEET	OF	SIZE	CODE	NUMBER
ARCH: <UMLER_PLOTS> MID9.DRW 11-DEC-82 17:35				NEXT HIGHER ASSEMBLY:	D	C5	L0069-0-MID9
FIRST USED ON OPTION/MODEL:							REV.



DRN.	DATE	ENG.	DATE	TITLE:	10 USEC SYNC
CHK'D.	DATE	BOARD LOCATION:	SHEET	OF	
ARCH: CUMLER, PLOTS 4 MIDB.DRW 18-SEP-82 20:31 NEXT HIGHER ASSEMBLY:				SIZE CODE	NUMBER
FIRST USED ON OPTION/MODEL:				D CS	L0069-0-MIDB
					REV.

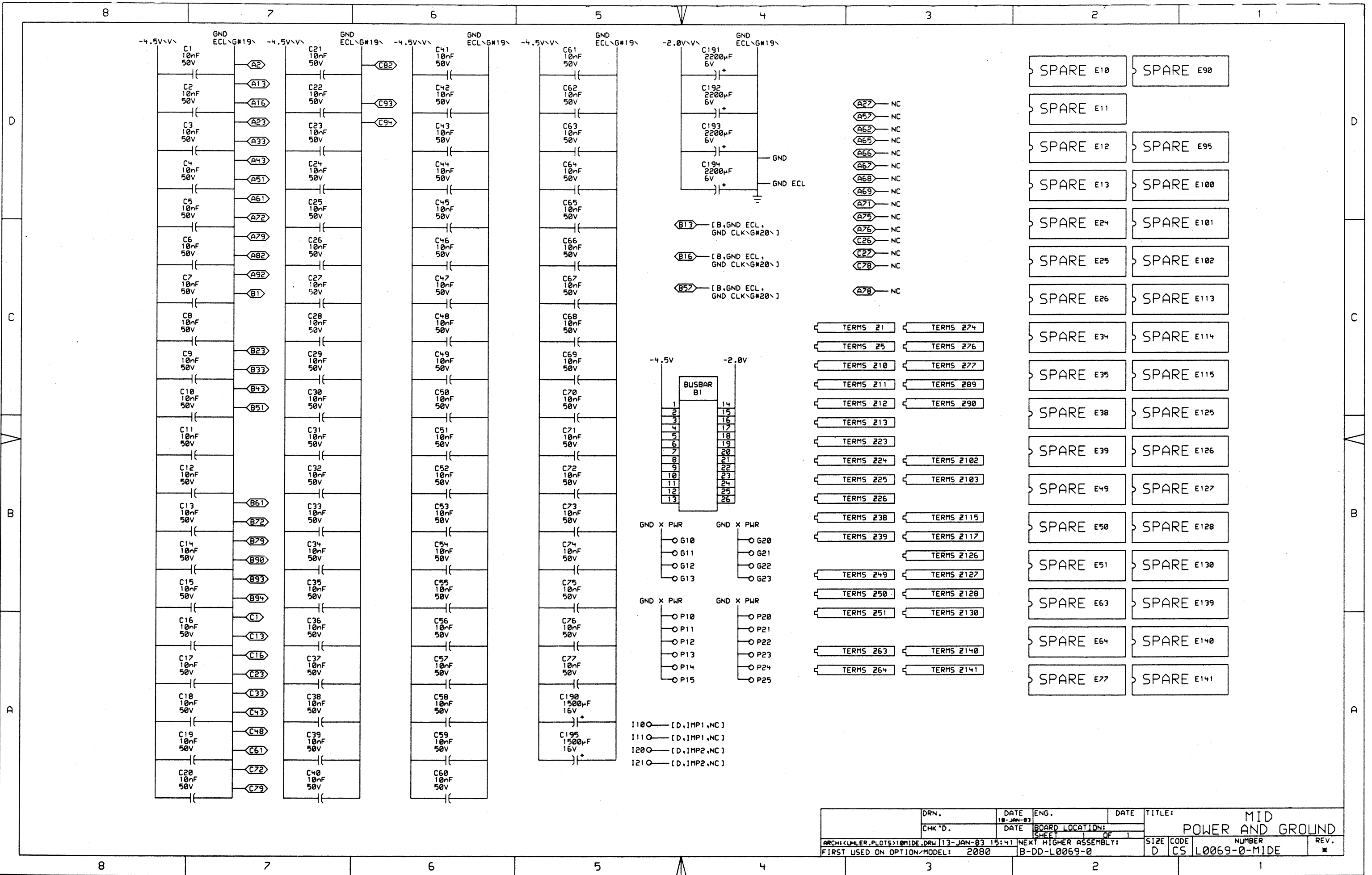


DRN.	DATE	ENG.	DATE	TITLE:	XCT/USER		
CHK'D.	DATE	BOARD LOCATION:	SHEET	OF	SIZE	CODE	NUMBER
ARCH: <UHLER.PLOTS>MIDC.DRW 18-SEP-82 20:34 NEXT HIGHER ASSEMBLY:				REV.	D	CS	L0069-0-MIDC



[B,DIAG CLK PAS 5 L,DIAG CLK PAS 13 L] - C65
 [B,DIAG CLK ACT IBOX,DIAG CLK ACT MID] L - C76

DRN.	DATE	ENG.	DATE	TITLE:	I O DRIVE		
CHK'D.	DATE	BOARD LOCATION:	SHEET	OF	SIZE	CODE	NUMBER
ARCH: <UMLR, PLOTS> MIDD.DRW 20-OCT-82 16:22 NEXT HIGHER ASSEMBLY:				D-BB-L0069-0	D	CS	L0069-0-MIDD
FIRST USED ON OPTION/MODEL:							REV.



DRN.	DATE	ENG.	DATE	TITLE:
CHK'D.	18-JAN-83			MID POWER AND GROUND
ARCHI:CUHLER.PLOTS>10MIDE.DRW		113-JAN-83 15:41		NEXT HIGHER ASSEMBLY:
FIRST USED ON OPTION/MODEL: 2080		B-DD-L0069-0		SIZE CODE NUMBER REV.
D		CS		L0069-0-MIDE *

8

7

6

5

4

3

2

1

VULCAN:<2000.L0053>56 INX1
 VULCAN:<2000.L0053>62 INX2
 VULCAN:<2000.L0053> INX3
 VULCAN:<2000.L0053>62 INX4
 VULCAN:<2000.L0053>27 INX5
 VULCAN:<2000.L0053>36 INX6
 VULCAN:<2000.L0053>29 INX7
 VULCAN:<2000.L0053>29 INX8
 VULCAN:<2000.L0053>25 INX9
 VULCAN:<2000.L0053>27 INXA
 VULCAN:<2000.L0053>62 INXB
 VULCAN:<2000.L0053>67 INXC
 VULCAN:<2000.L0053>67 INXD
 VULCAN:<2000.L0053>62 INXE
 VULCAN:<2000.L0053>62 INXF
 VULCAN:<2000.L0053>55 INXG
 VULCAN:<2000.L0053>63 INXH
 VULCAN:<2000.L0053>57 INXI
 VULCAN:<2000.L0053>45 INXJ

D

D

C

C

B

B

A

A

DRN.	DATE	ENG.	DATE	TITLE:
CHK'D.	DATE	BOARD LOCATION:		
ARCHI<L0053>INXDIR.DPL.1 13-DEC-02 08:07		NEXT HIGHER ASSEMBLY:		
FIRST USED ON OPTION/MODEL:	SIZE	CODE	NUMBER	REV.
	D	SP		

8

7

6

5

4

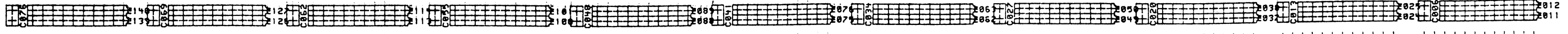
3

2

1

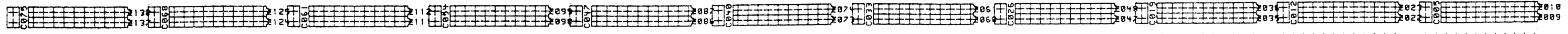
E141 E128 E115 E102 E090 E077 E064 E051 E039 E026 E013

E140 E127 E114 E101 E089 E076 E063 E050 E038 E025 E012



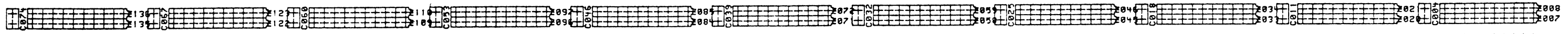
E139 E126 E113 E100 E088 E075 E062 E049 E037 E024 E011

E138 E125 E112 E099 E087 E074 E061 E048 E036 E023 E010



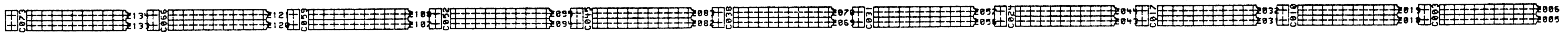
E137 E124 E111 E098 E086 E073 E060 E047 E035 E022 E009

E136 E123 E110 E097 E085 E072 E059 E046 E034 E021 E008



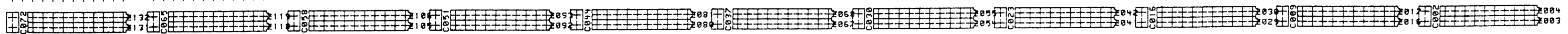
E135 E122 E109 E096 E084 E071 E058 E045 E033 E020 E007

E134 E121 E108 E095 E083 E070 E057 E044 E032 E019 E006



E133 E120 E107 E094 E082 E069 E056 E043 E031 E018 E005

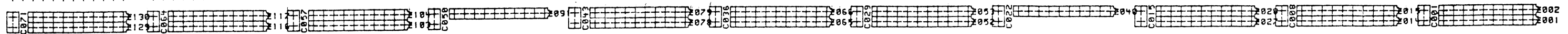
E132 E119 E106 E093 E081 E068 E055 E042 E030 E017 E004



E131 E118 E105 E092 E080 E067 E054 E041 E029 E016 E003

+ C095 + + C094 + + C093 + + C092 + + C091 + + C090 +

E130 E117 E104 E091 E079 E066 E053 E040 E028 E015 E002



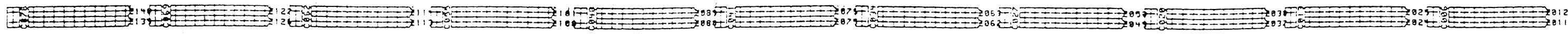
E129 E116 E103 E078 E065 E052 E027 E014 E001

LX

"141"

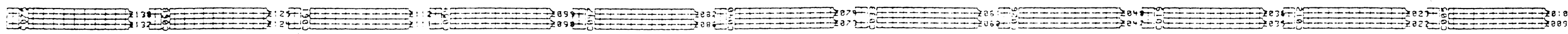
E141 E128 E115 E102 E090 E077 E064 E051 E039 E026 E013

E140 E127 E114 E101 E089 E076 E063 E050 E038 E025 E012



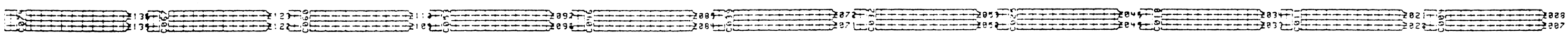
E139 E126 E113 E100 E088 E075 E062 E049 E037 E024 E011

E138 E125 E112 E099 E087 E074 E061 E048 E036 E023 E010



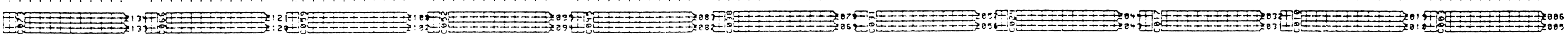
E137 E124 E111 E098 E086 E073 E060 E047 E035 E022 E009

E136 E123 E110 E097 E085 E072 E059 E046 E034 E021 E008



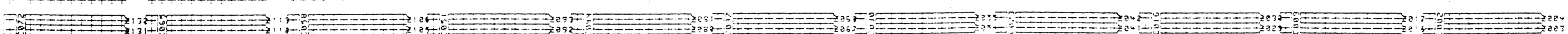
E135 E122 E109 E096 E084 E071 E058 E045 E033 E020 E007

E134 E121 E108 E095 E083 E070 E057 E044 E032 E019 E006



E133 E120 E107 E094 E082 E069 E056 E043 E031 E018 E005

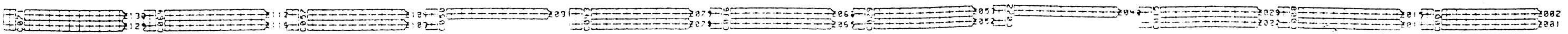
E132 E119 E106 E093 E081 E068 E055 E042 E030 E017 E004



E131 E118 E105 E092 E080 E067 E054 E041 E029 E016 E003

+ C095 + + C094 + + C093 - - C092 - + C091 + + C090 +

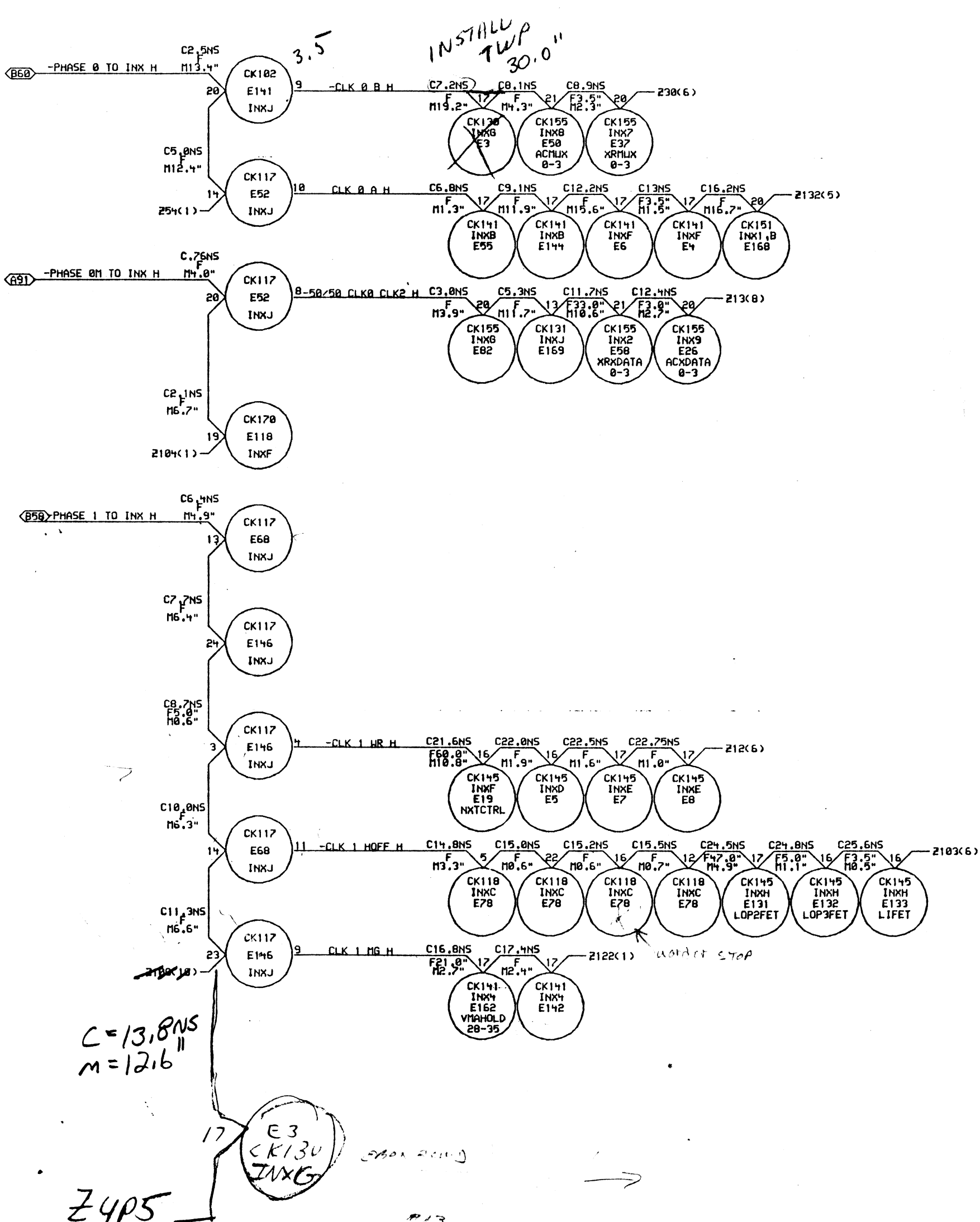
E130 E117 E104 E091 E079 E066 E053 E040 E028 E015 E002



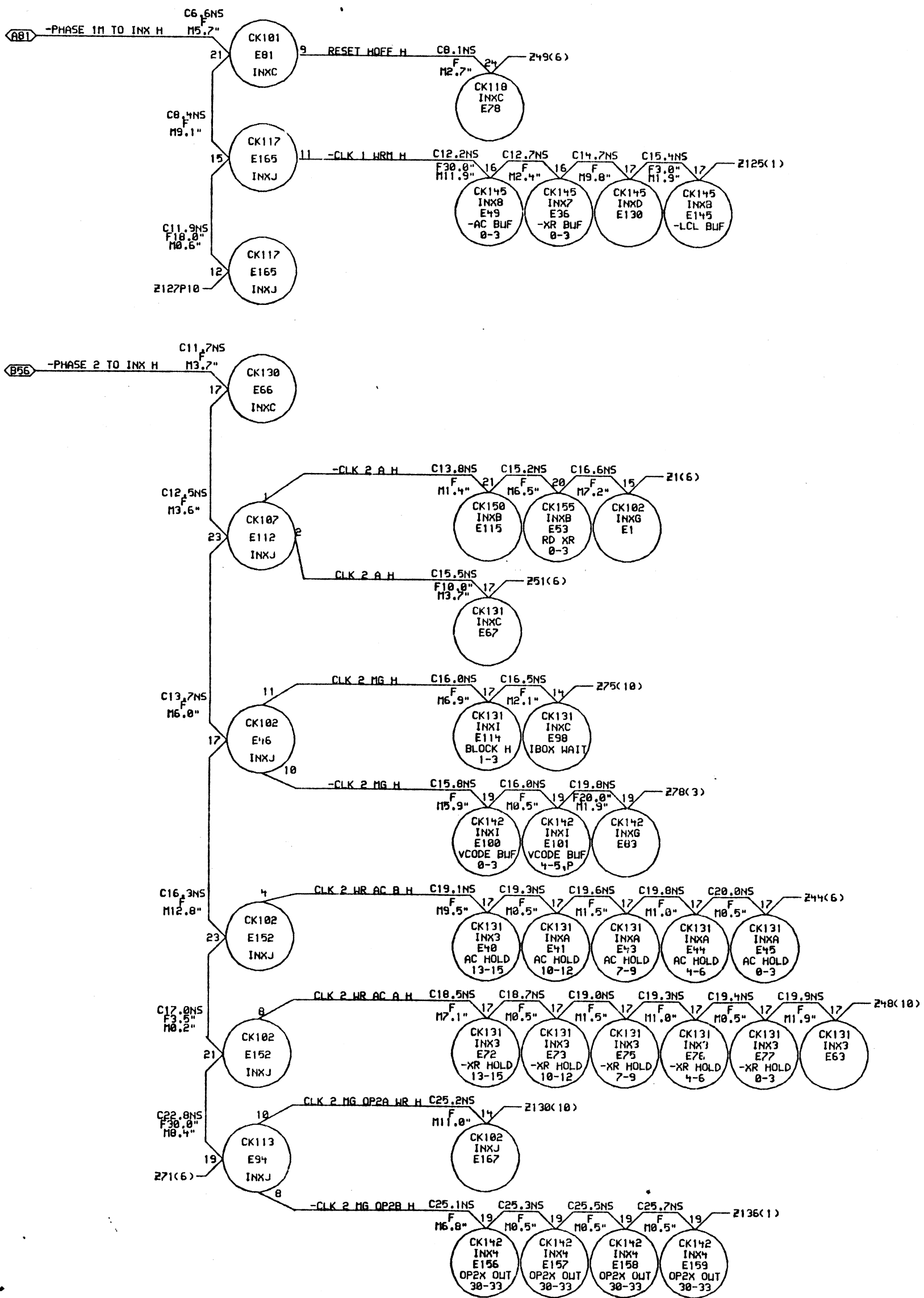
E129 E116 E103 E078 E065 E052 E027 E014 E001

INXB

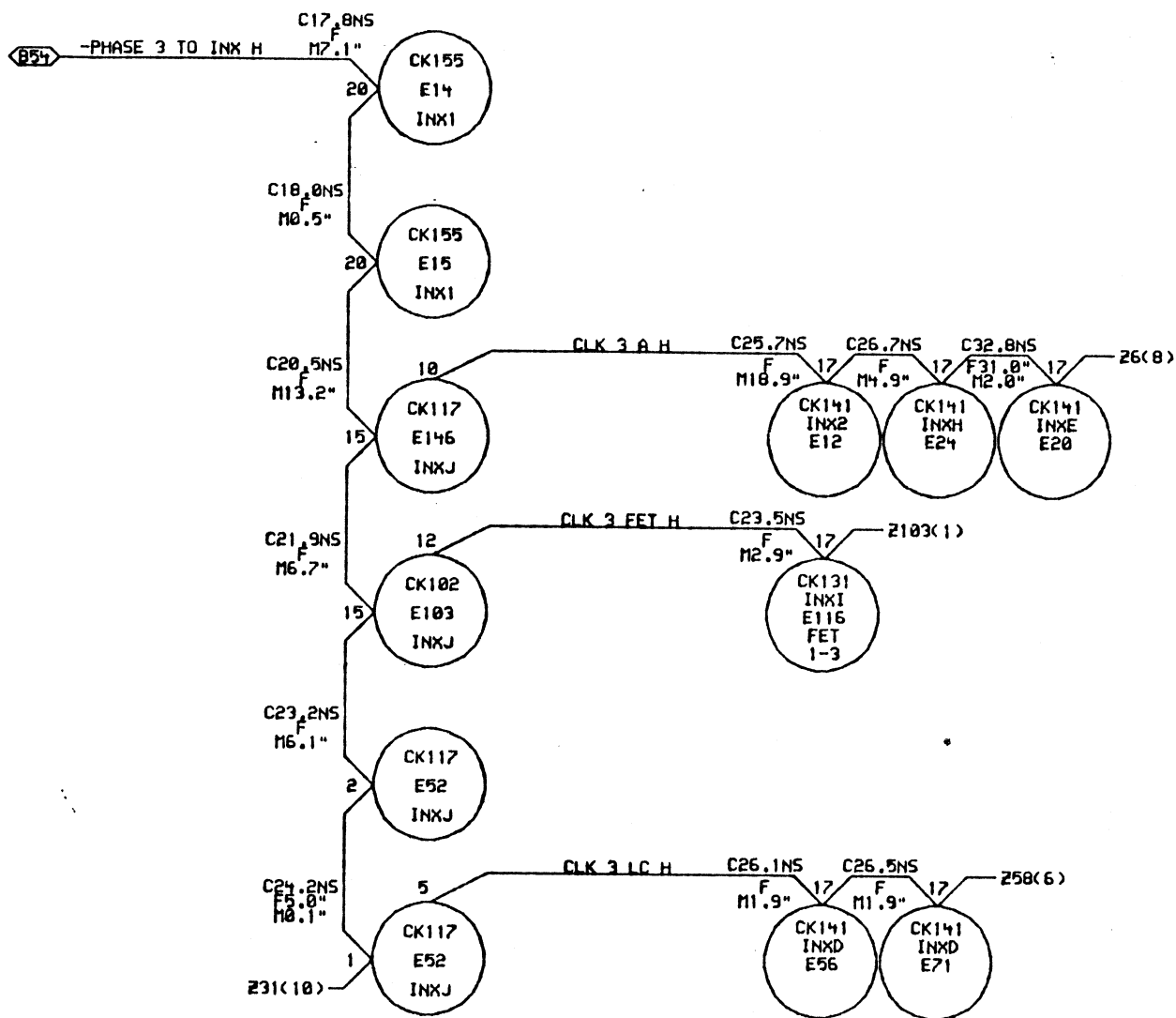
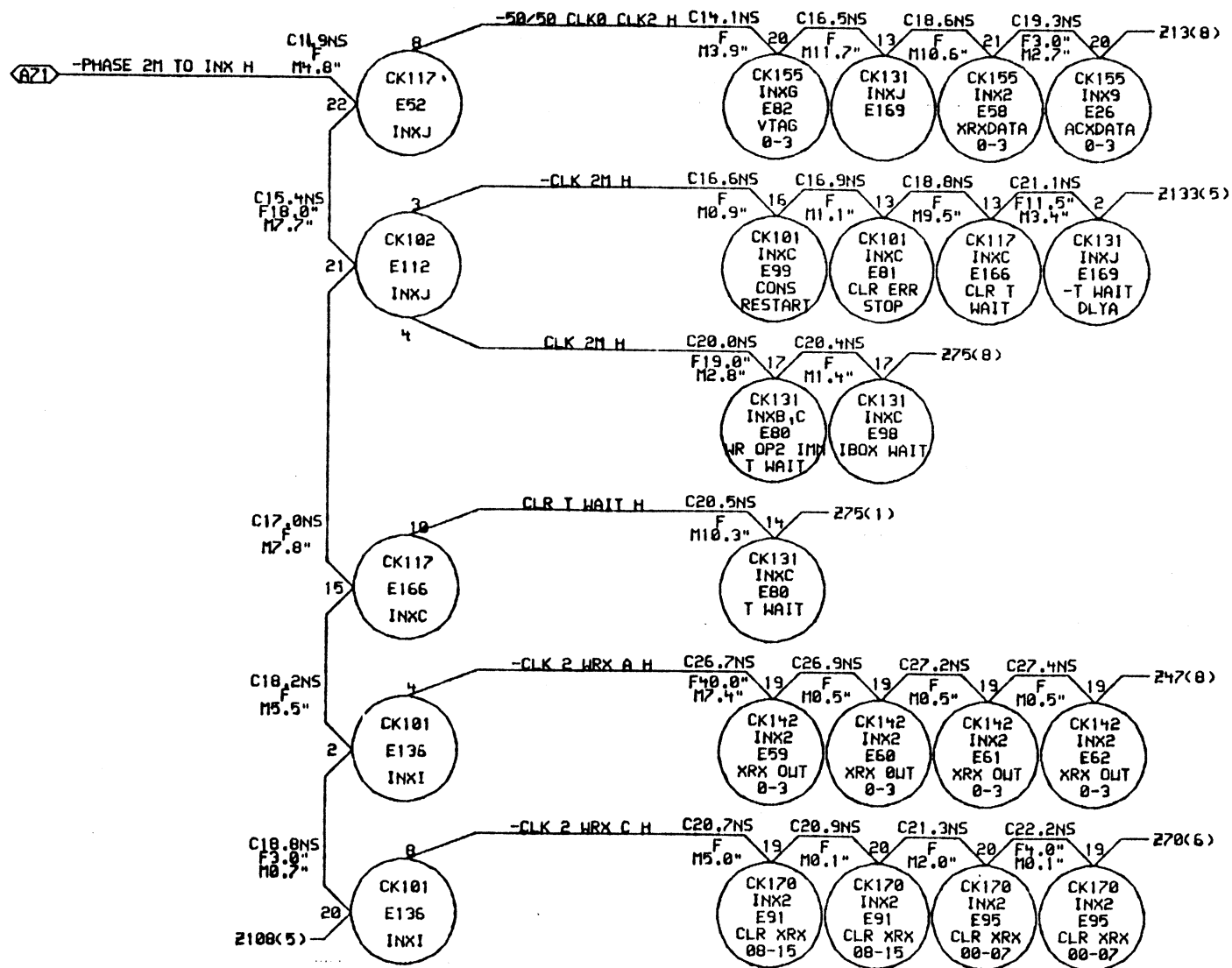
CINX



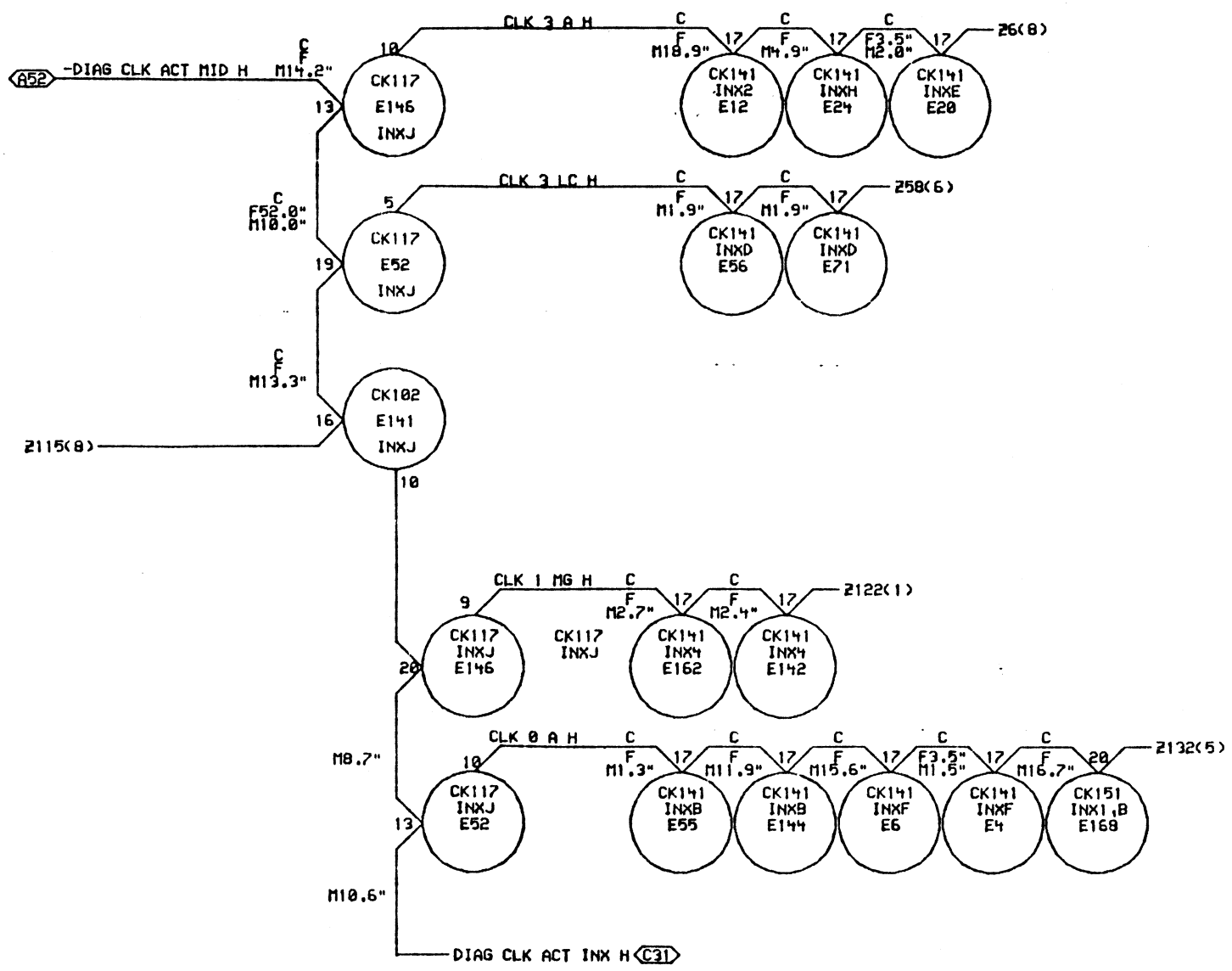
DRN.	DATE	ENG.	DATE	TITLE
CHK'D.	DATE	BOARD LOCATION	SHEET	CINX TIMING 1 OF 4
FIRST USED ON OPTION MODEL:				SIZE CODE NUMBER REV.
				D CS L0053-0-CINX



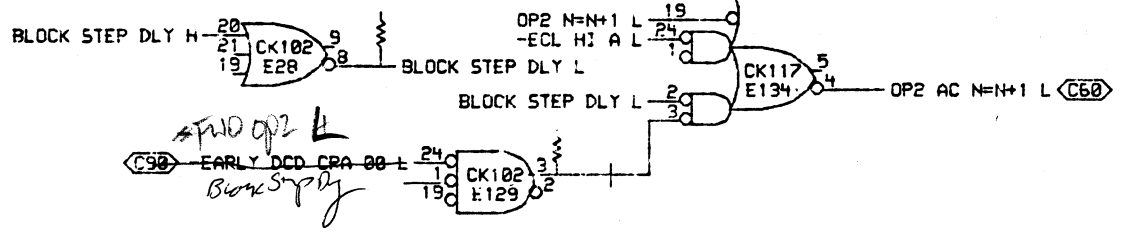
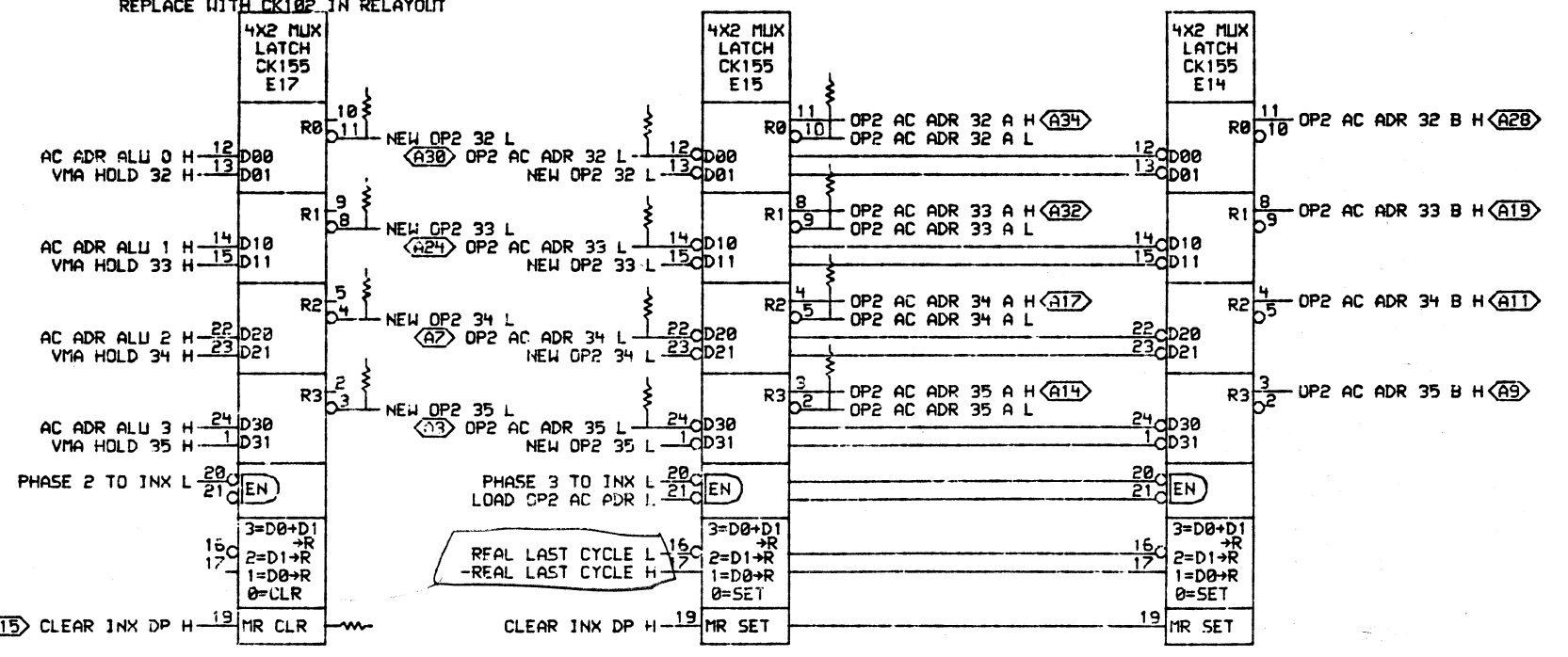
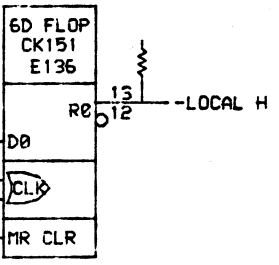
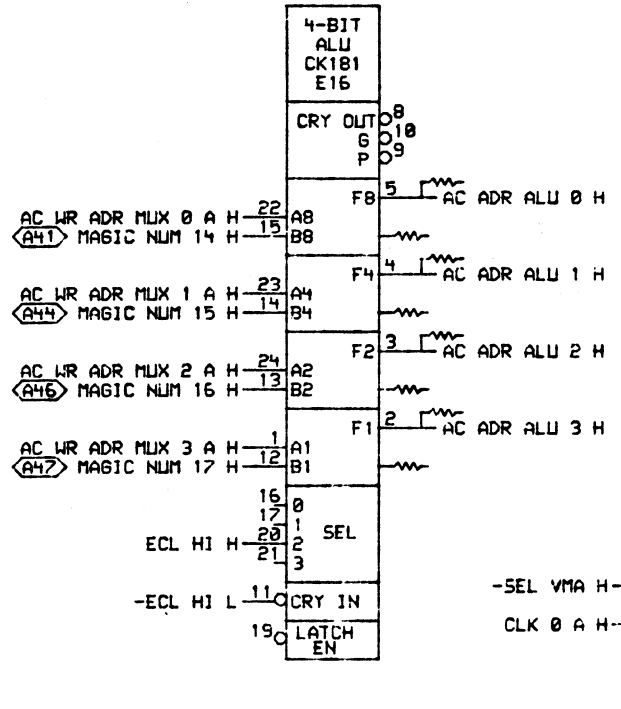
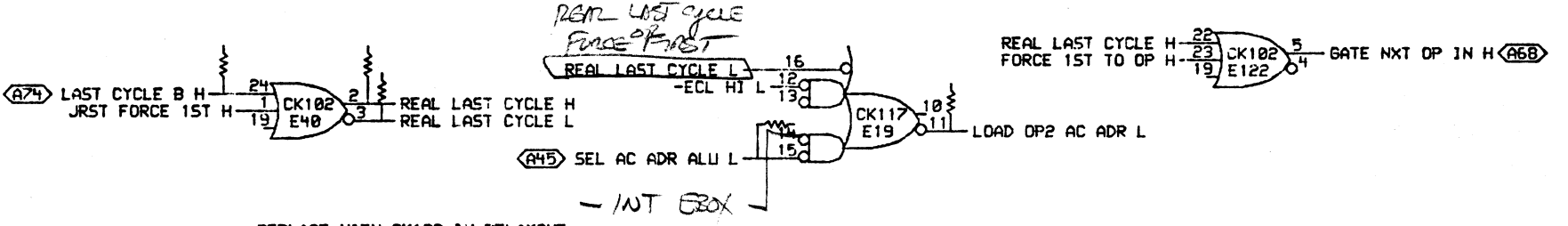
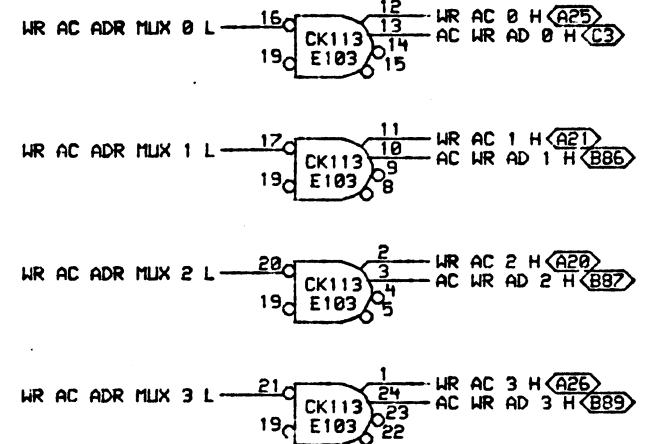
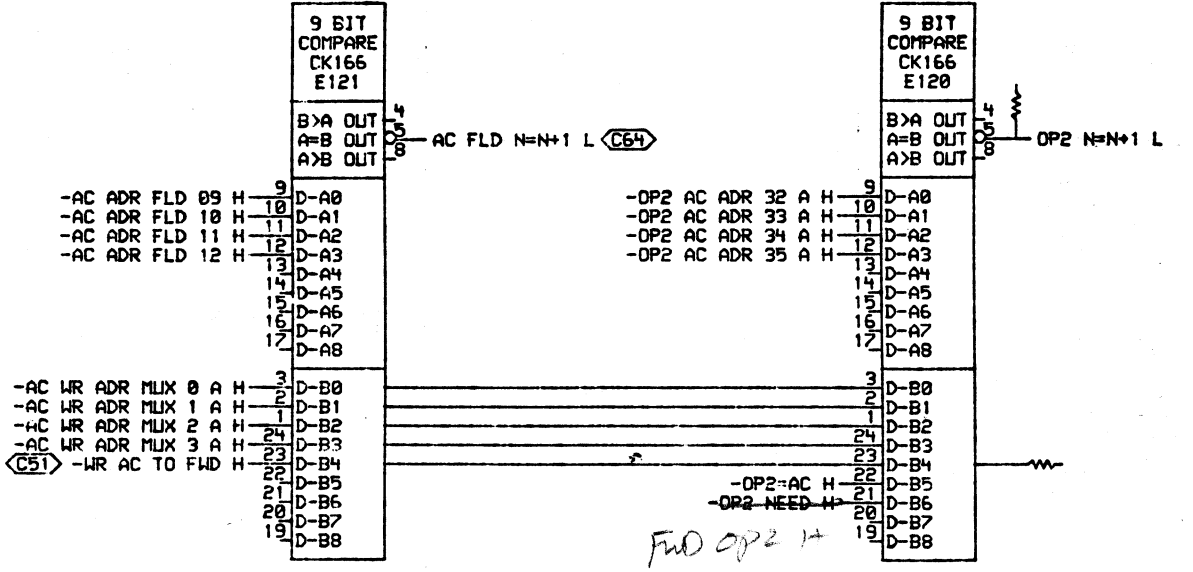
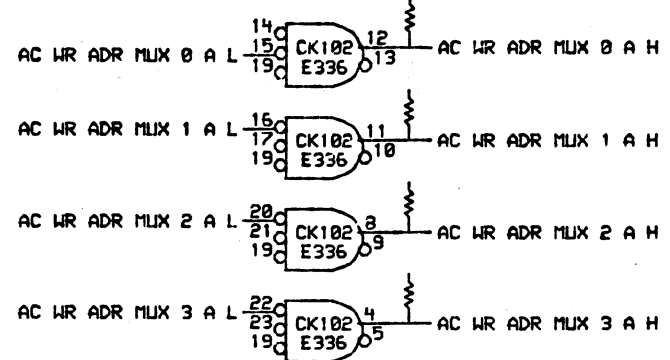
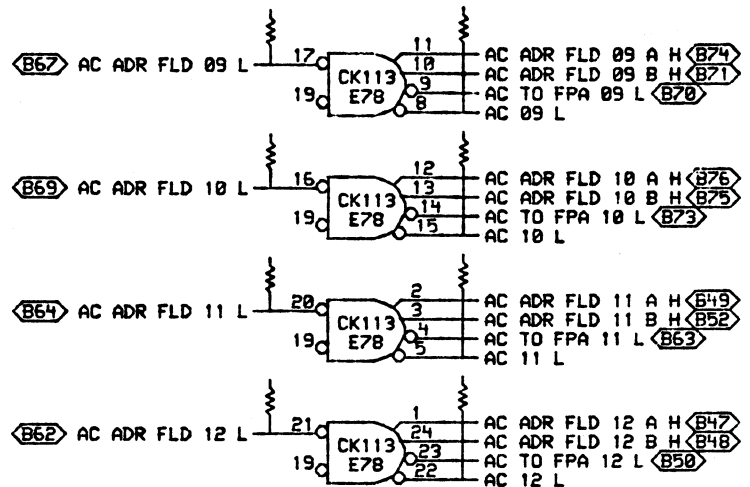
DRN.	DATE	ENG.	DATE	TITLE:
CHK'D.	DATE	BOARD LOCATION:		CINX TIMING 2 OF 4
FIRST USED ON OPTION/MODEL:				SIZE CODE NUMBER REV.
				D CS L0053-0-CINX



DRN.	DATE	ENG.	DATE	TITLE:
CHK'D.	DATE	BOARD LOCATION:		CINX
VIA CAN (2000) CINX TIMING 103-AUG-82 15134 NEXT HIGHER ASSEMBLY:				NUMBER
FIRST USED ON OPTION/MODEL:				REV.
SIZE	CODE	NUMBER		REV.
D	CS	L0053-00-CINX		



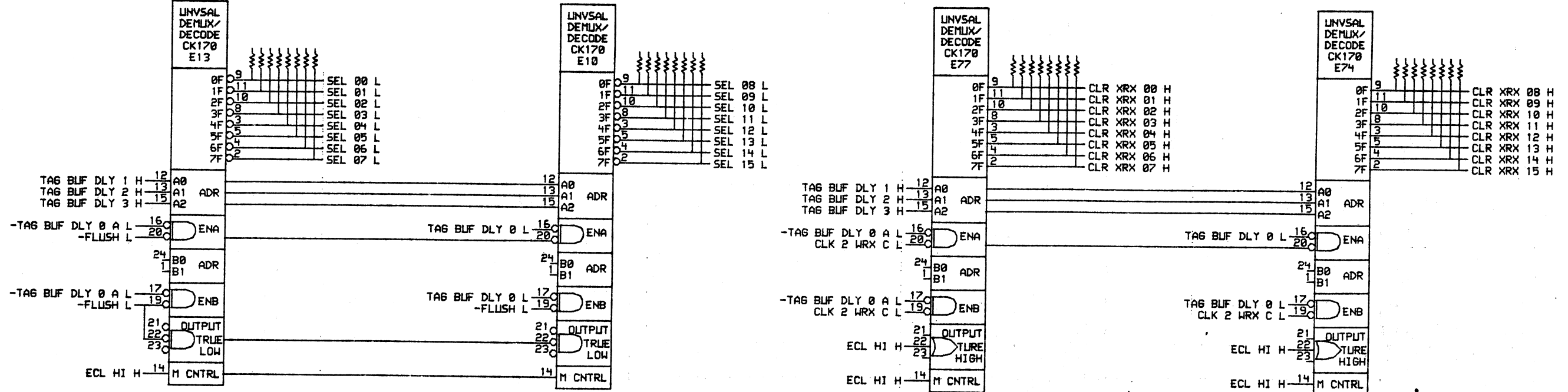
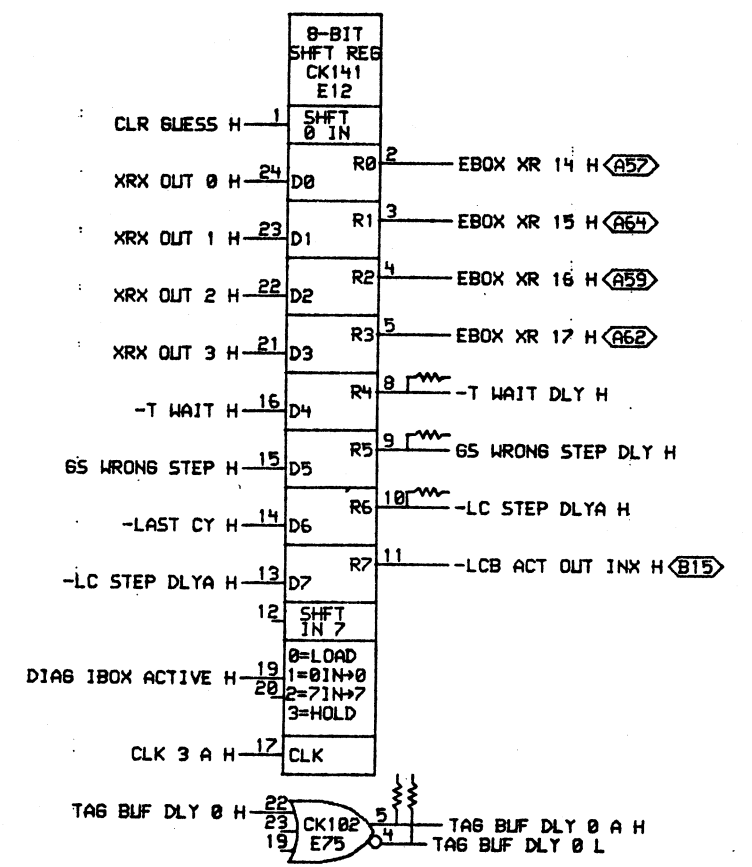
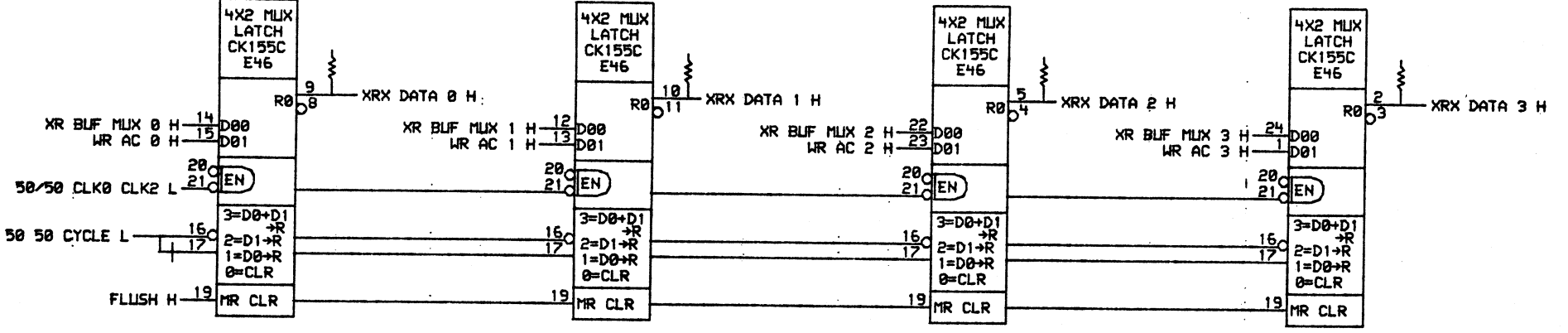
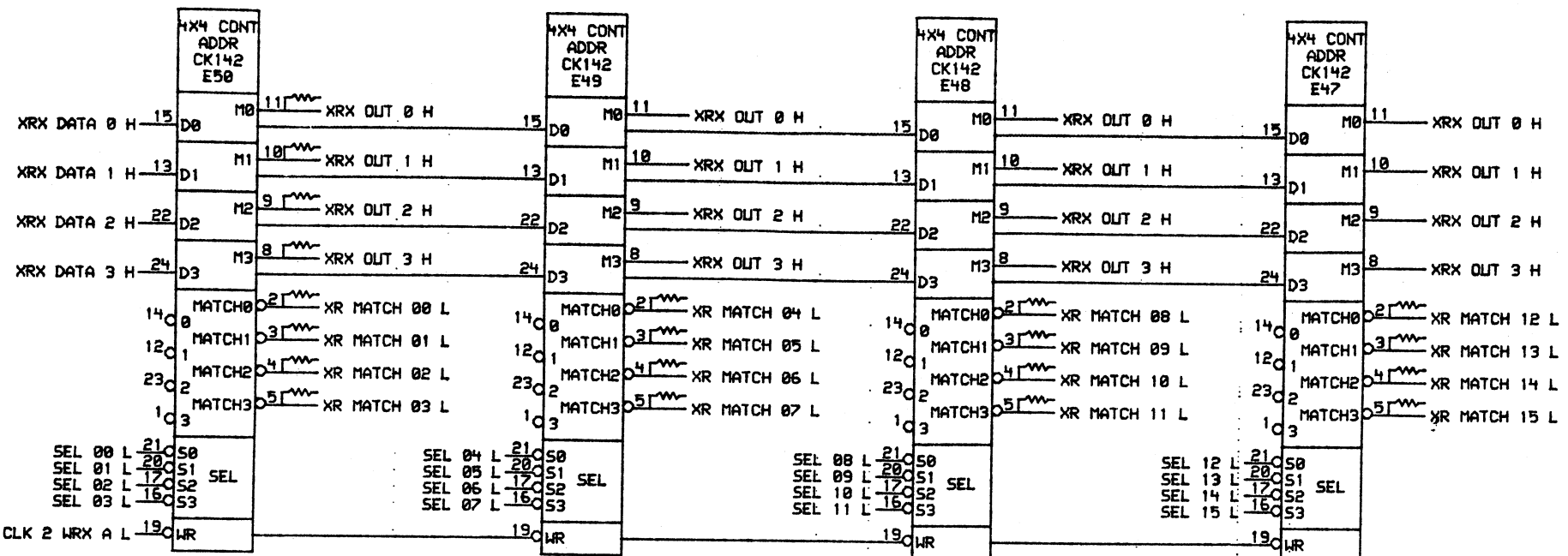
DRN.	DATE	ENG.	DATE	TITLE:
CHK'D.	DATE	BOARD LOCATION:		CINX
VIA CON: <2000, CINX> TIMING DRAW 103-ALIG-02 15136				TIMING 4 OF 4
FIRST USED ON OPTION/MODEL:				SIZE CODE NUMBER REV.
				D CS L0053-0-CINX 1

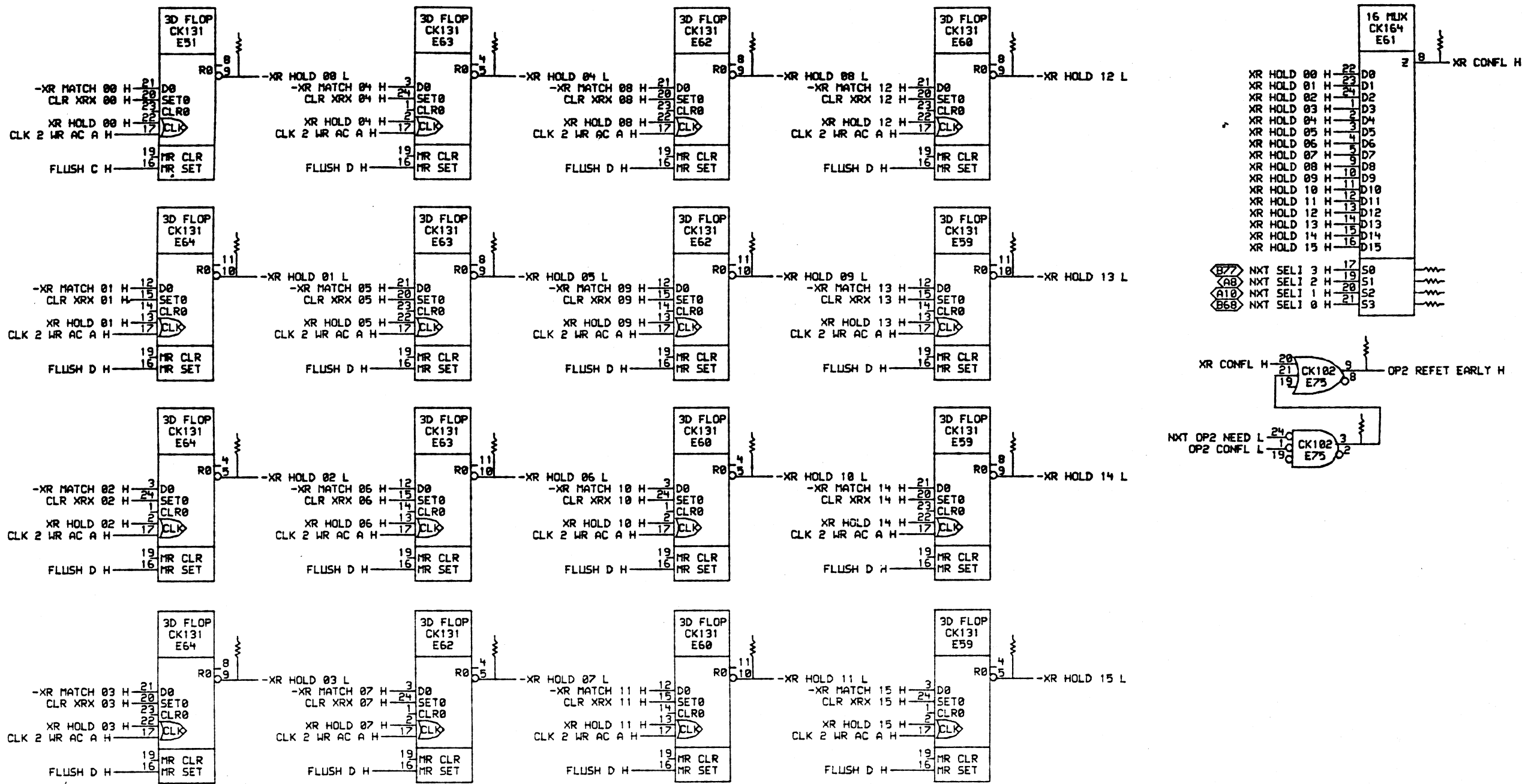


THIS DRAWING AND SPECIFICATIONS HEREIN ARE THE PROPERTY OF DIGITAL EQUIPMENT CORPORATION AND SHALL NOT BE REPRODUCED OR COPIED OR USED IN WHOLE OR IN PART AS THE BASIS FOR THE MANUFACTURE OR SALE OF ITEMS WITHOUT WRITTEN PERMISSION. COPYRIGHT © 1982, DIGITAL EQUIPMENT CORPORATION.

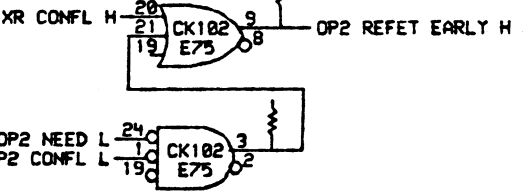
REVISIONS		
CHK	CHANGE NO.	REV

digital	DATE	ENG.	DATE	TITLE:	AC ADR
	CHK'D.	83-AUG-82			
VIA CALL: (2000-1-0053) INX1.DRW		DATE	BOARD LOCATION:		
FIRST USED ON OPTION/MODEL:			SHEET	OF	
SIZE	CODE	NUMBER	REV.		
D	C5	L0053-0-INX1			





XR HOLD 00 H	22	D0
XR HOLD 01 H	23	D1
XR HOLD 02 H	24	D2
XR HOLD 03 H	25	D3
XR HOLD 04 H	26	D4
XR HOLD 05 H	27	D5
XR HOLD 06 H	28	D6
XR HOLD 07 H	29	D7
XR HOLD 08 H	30	D8
XR HOLD 09 H	31	D9
XR HOLD 10 H	32	D10
XR HOLD 11 H	33	D11
XR HOLD 12 H	34	D12
XR HOLD 13 H	35	D13
XR HOLD 14 H	36	D14
XR HOLD 15 H	37	D15
NXT SEL1 3 H	17	50
NXT SEL1 2 H	18	51
NXT SEL1 1 H	19	52
NXT SEL1 0 H	20	53



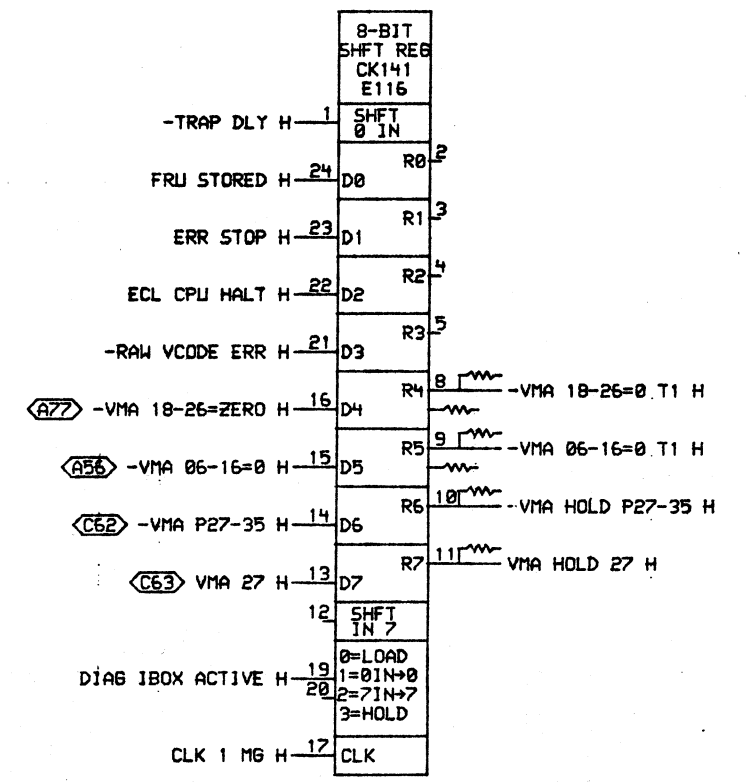
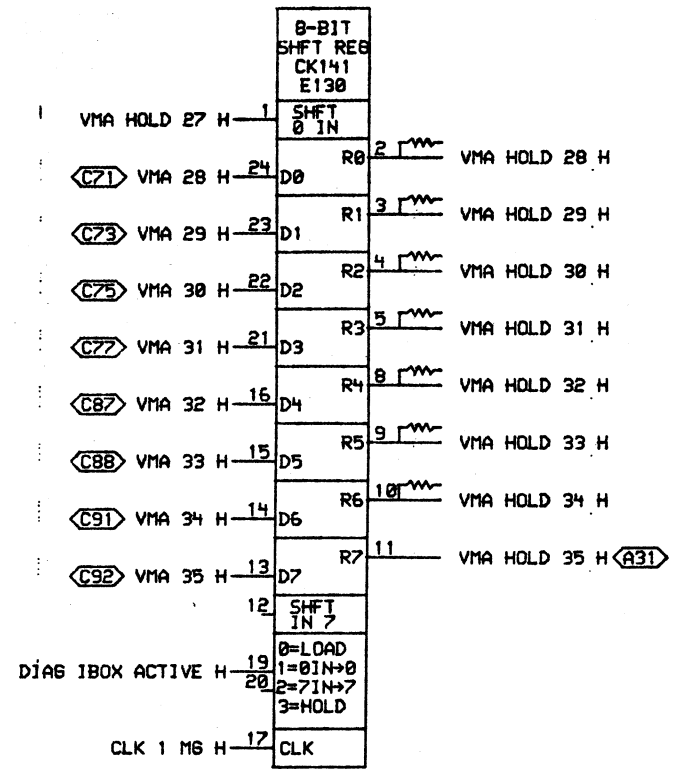
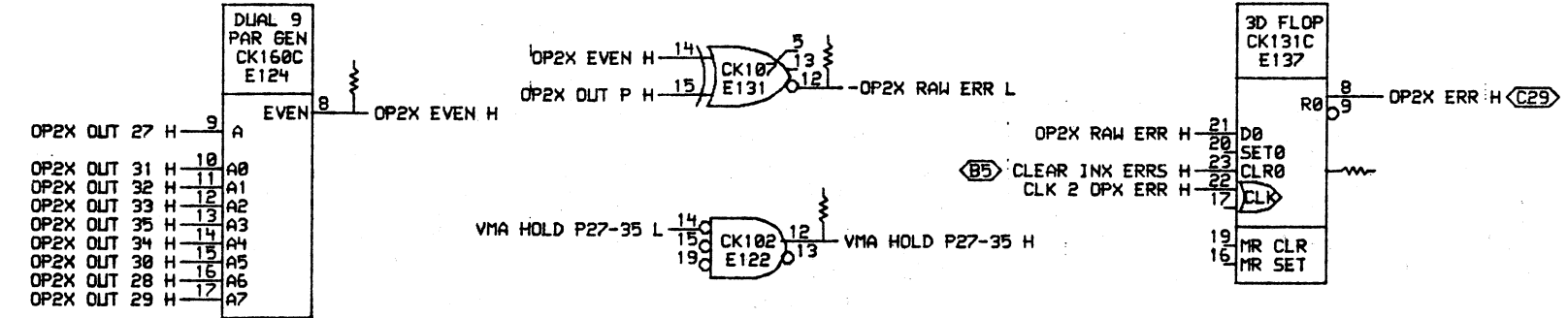
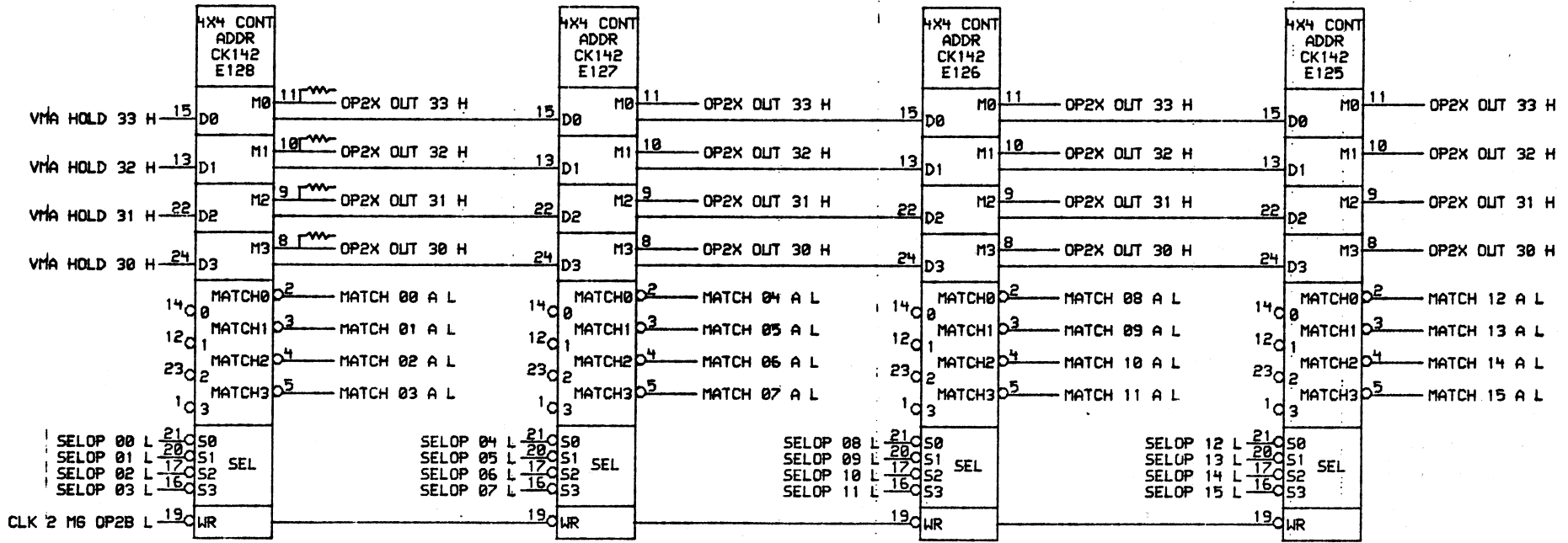
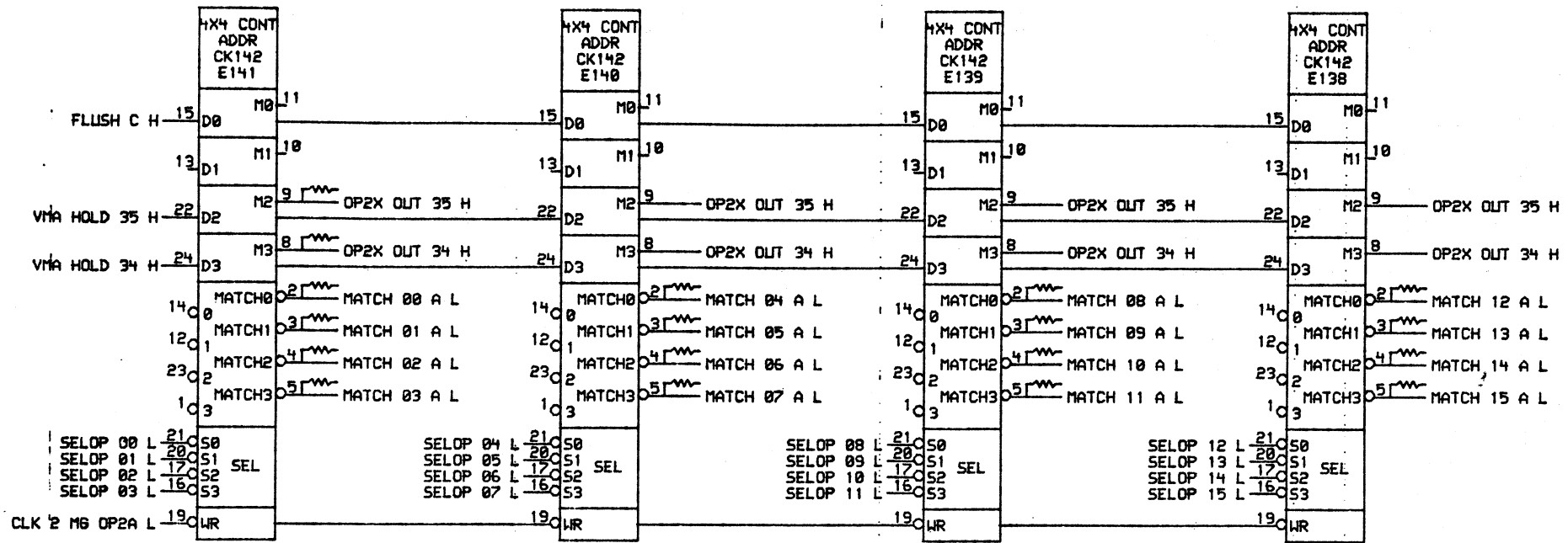
THIS DRAWING AND SPECIFICATIONS ARE THE PROPERTY OF DIGITAL EQUIPMENT CORPORATION AND SHALL NOT BE REPRODUCED OR COPIED OR USED IN WHOLE OR IN PART AS THE BASIS FOR THE MANUFACTURE OR SALE OF ITEMS WITHOUT WRITTEN PERMISSION. COPYRIGHT © 1982, DIGITAL EQUIPMENT CORPORATION.

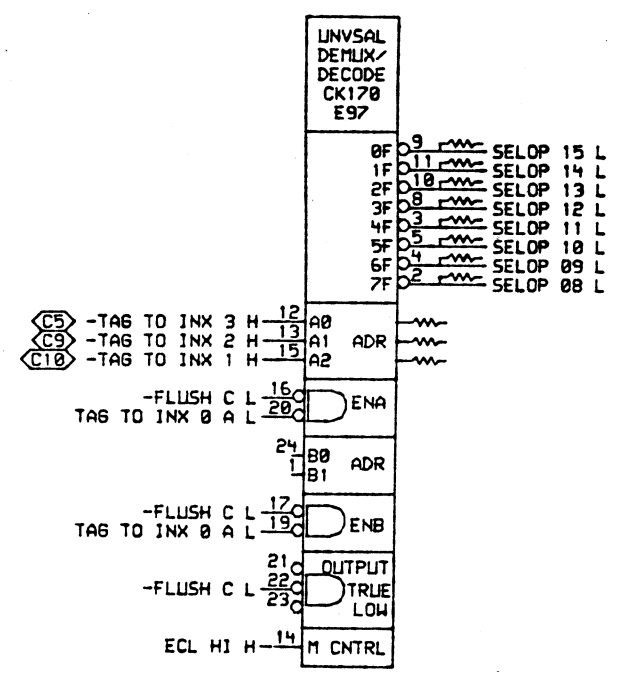
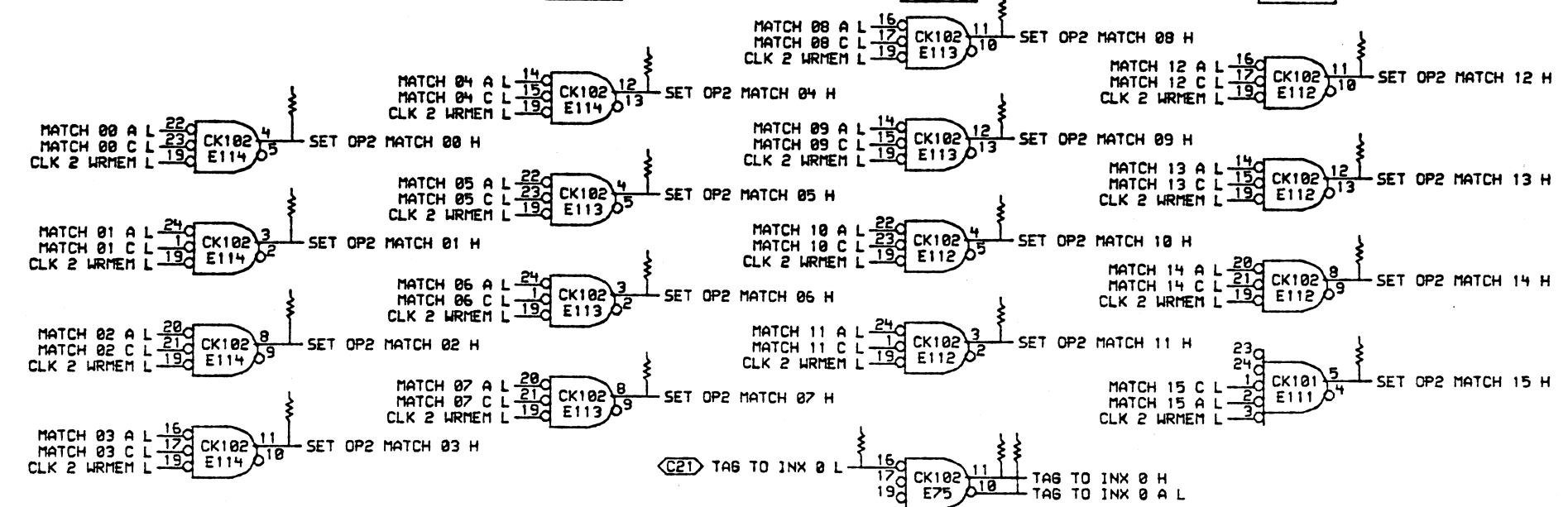
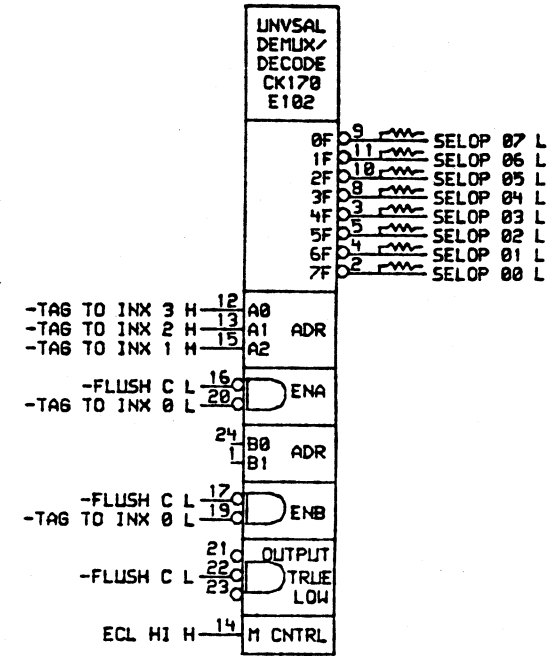
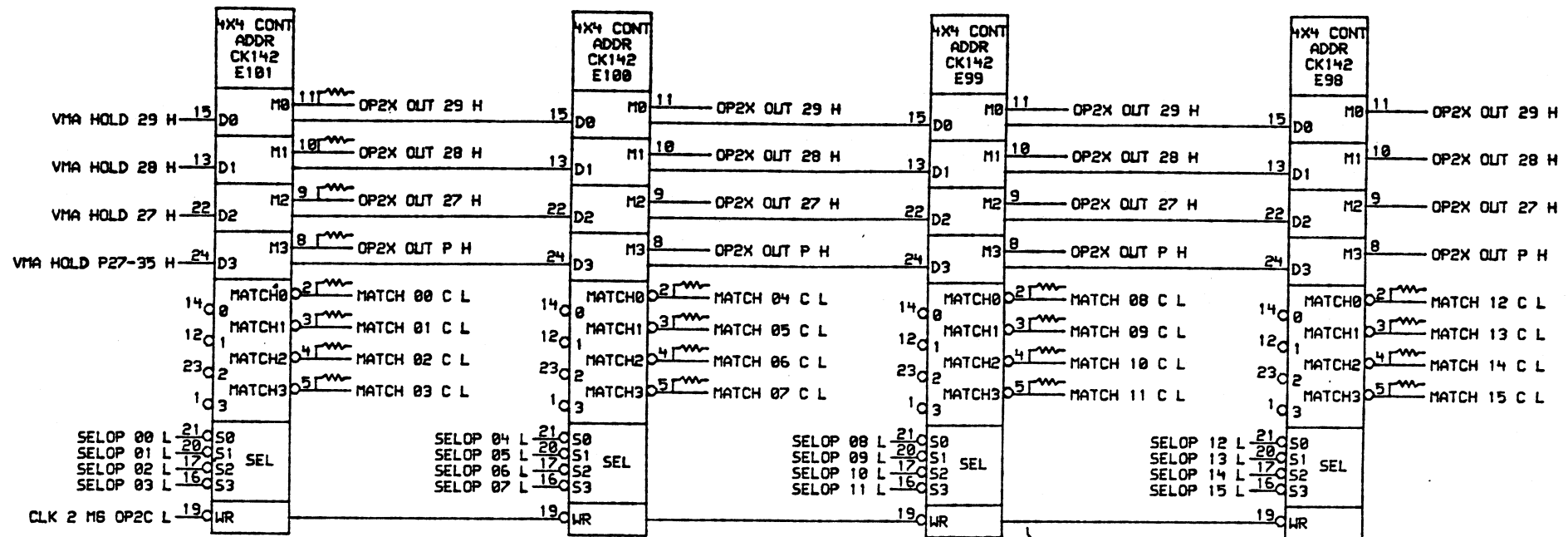
REVISIONS		
CHK	CHANGE NO.	REV

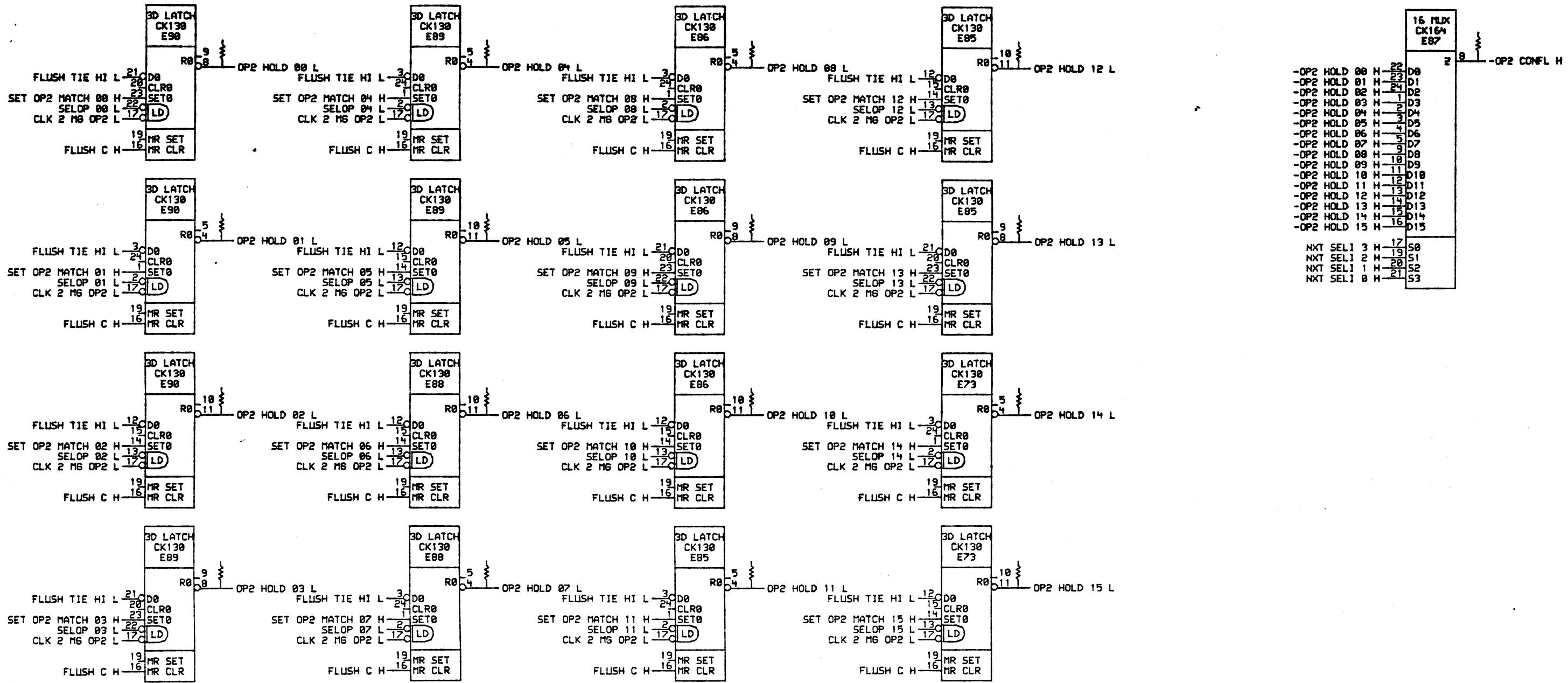
digital
 VULCAN: <2888.L0053>INX3.DRW [03-MAR-81 08:51] NEXT HIGHER ASSEMBLY:
 FIRST USED ON OPTION/MODEL:

TITLE: XR RE-EACALC REQ
 SIZE CODE: D CS
 NUMBER: L0053-0-INX3
 REV.

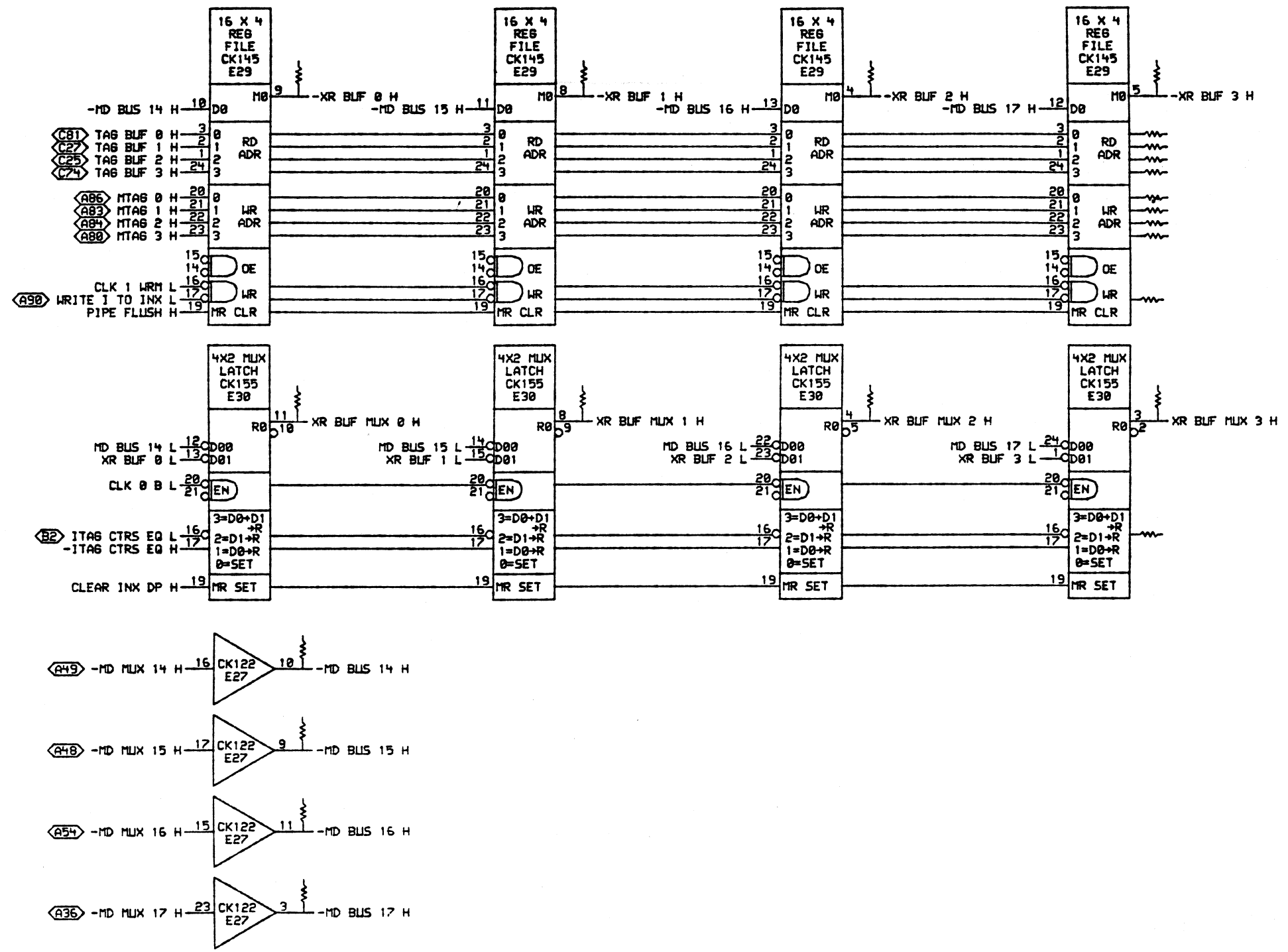
REV. NUMBER L0053-0-INX3



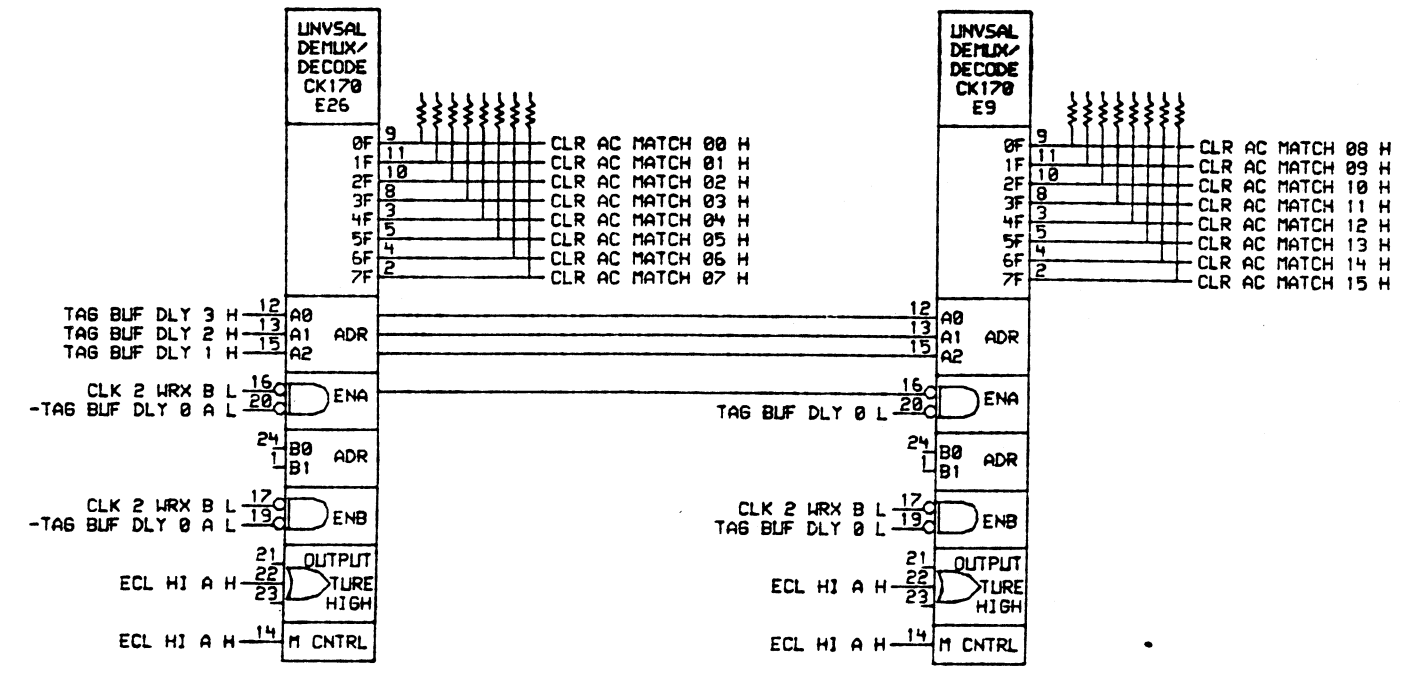
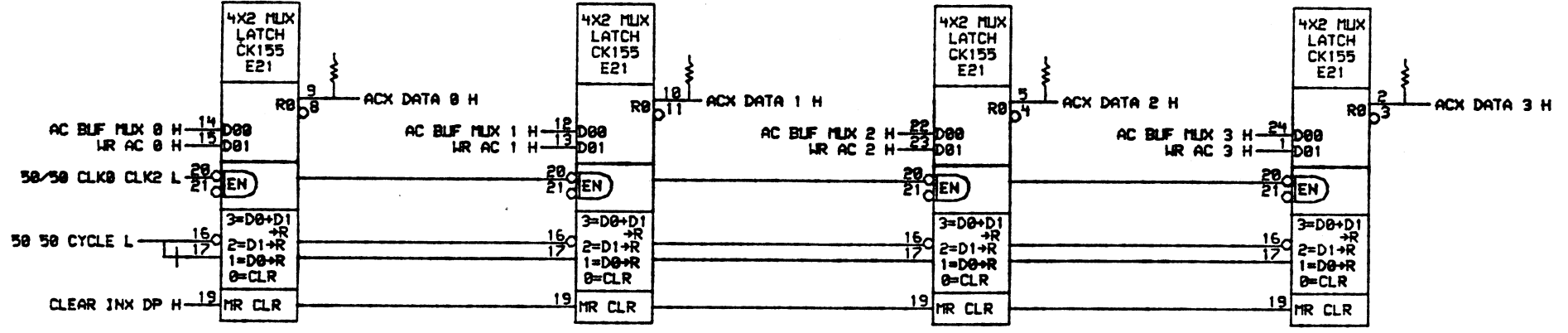
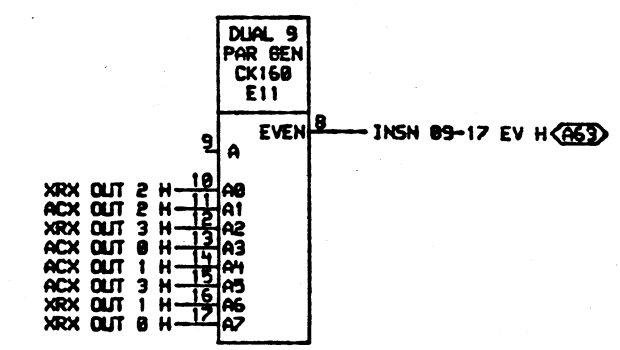
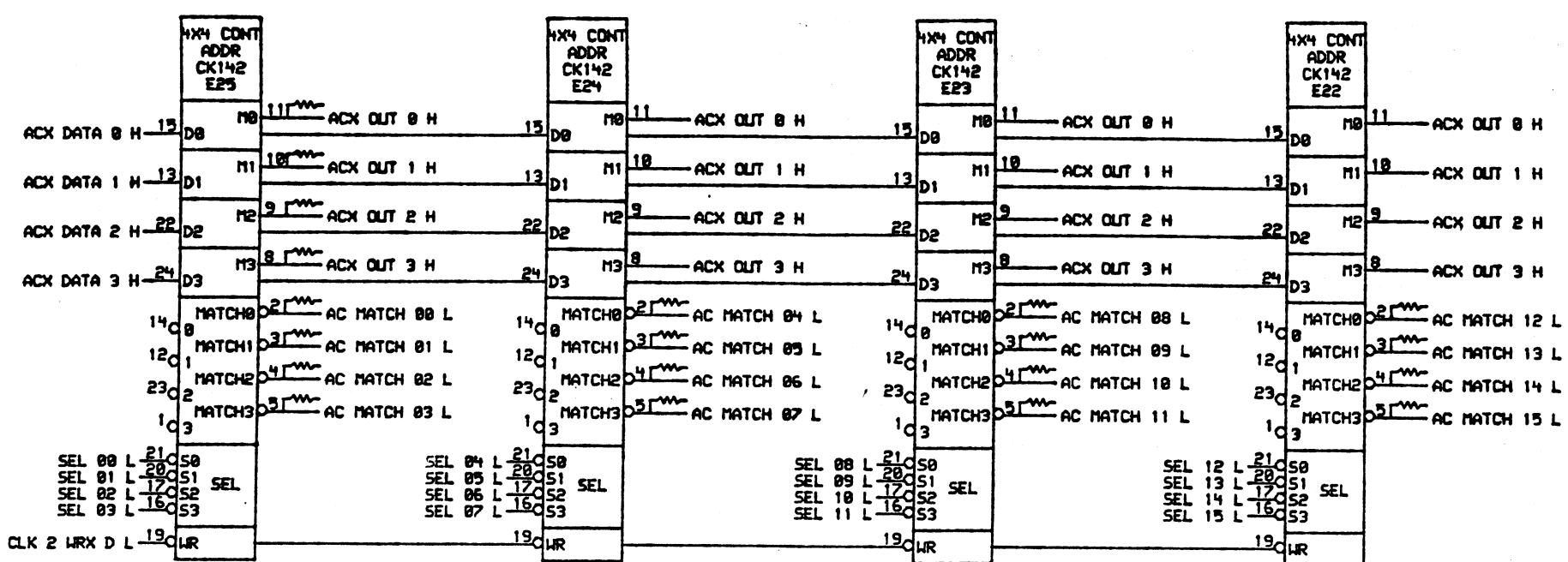




-OP2 HOLD 00 H	22	D0
-OP2 HOLD 01 H	23	D1
-OP2 HOLD 02 H	24	D2
-OP2 HOLD 03 H	1	D3
-OP2 HOLD 04 H	2	D4
-OP2 HOLD 05 H	3	D5
-OP2 HOLD 06 H	4	D6
-OP2 HOLD 07 H	5	D7
-OP2 HOLD 08 H	9	D8
-OP2 HOLD 09 H	10	D9
-OP2 HOLD 10 H	11	D10
-OP2 HOLD 11 H	12	D11
-OP2 HOLD 12 H	13	D12
-OP2 HOLD 13 H	14	D13
-OP2 HOLD 14 H	15	D14
-OP2 HOLD 15 H	16	D15
NXT SEL 1 H	17	50
NXT SEL 2 H	19	51
NXT SEL 1 H	20	52
NXT SEL 0 H	21	53



D
 C
 REV.
 NUMBER L0053-0-1 INX7
 SIZE CODE D CS
 B
 D



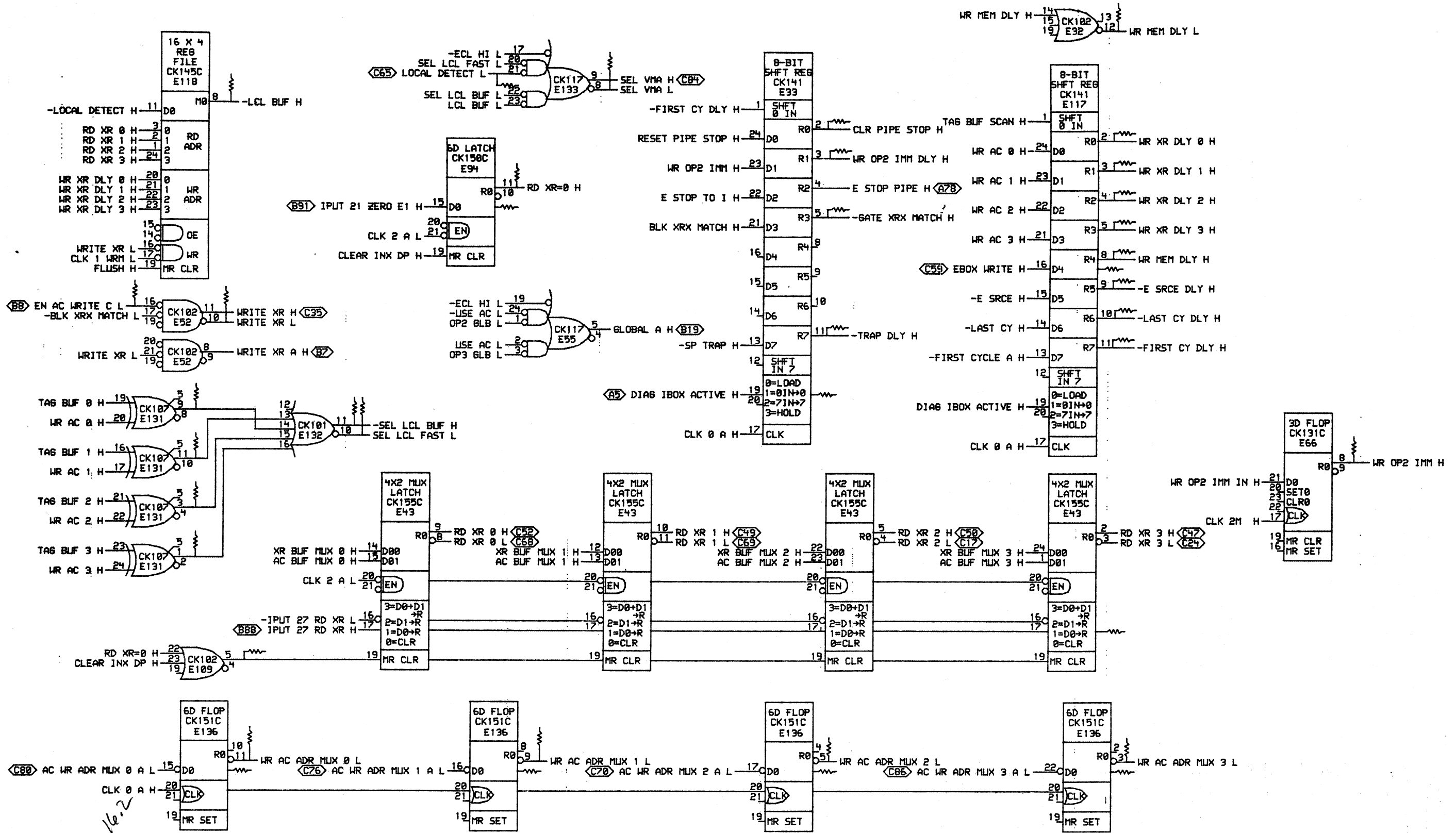
THIS DRAWING AND SPECIFICATIONS HEREIN ARE THE PROPERTY OF DIGITAL EQUIPMENT CORPORATION AND SHALL NOT BE REPRODUCED OR COPIED OR USED IN WHOLE OR IN PART AS THE BASIS FOR THE MANUFACTURE OR SALE OF ITEMS WITHOUT WRITTEN PERMISSION. COPYRIGHT © 1982, DIGITAL EQUIPMENT CORPORATION.

REVISIONS	
CHK	CHANGE NO. REV

digital DRN. J. J. J. DATE ENG. 13 JAN 82 DATE BOARD LOCATION: SHEET OF

TITLE: AC INDEX

VLSI CAN (2000-L0053) 29 INX9 DRW 11-JAN-82 18:09 NEXT HIGHER ASSEMBLY: SIZE CODE NUMBER REV. D CS L0053-0-INX9

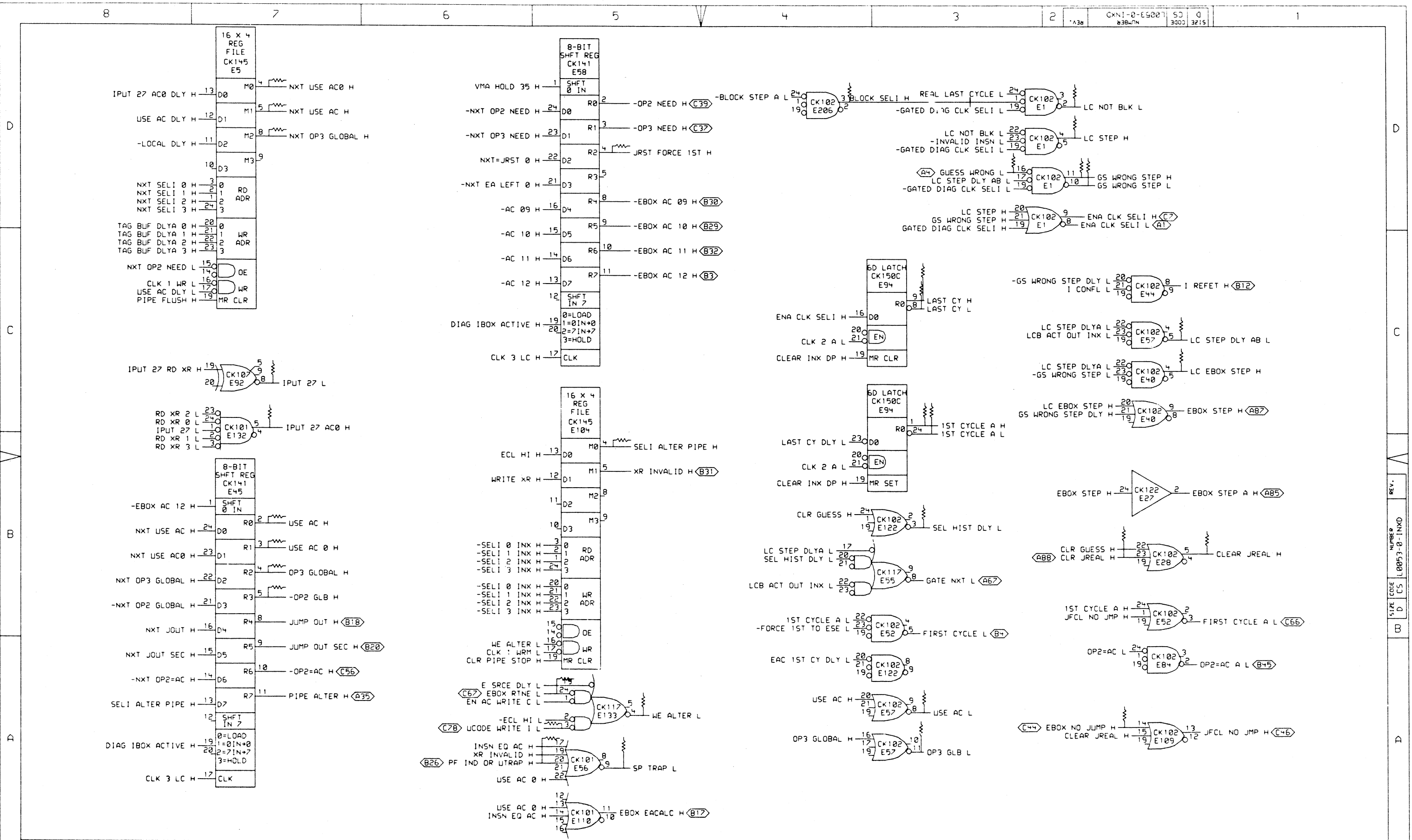


THIS DRAWING AND SPECIFICATIONS ARE THE PROPERTY OF DIGITAL EQUIPMENT CORPORATION AND SHALL NOT BE REPRODUCED OR COPIED OR USED IN WHOLE OR IN PART AS THE BASIS FOR THE MANUFACTURE OR SALE OF ITEMS WITHOUT WRITTEN PERMISSION. COPYRIGHT © 1982, DIGITAL EQUIPMENT CORPORATION.

REVISIONS	
CHK	CHANGE NO. REV

digital	DATE 11-OCT-82	ENG.	DATE	TITLE: LOCAL GLOBAL
CHK'D.	DATE	BOARD LOCATION:	OF	
FIRST USED ON OPTION/MODEL:				SIZE CODE NUMBER REV.
				D CS L0053-0-INXB

16.2	8	7	6	5	4	3	2	1
------	---	---	---	---	---	---	---	---

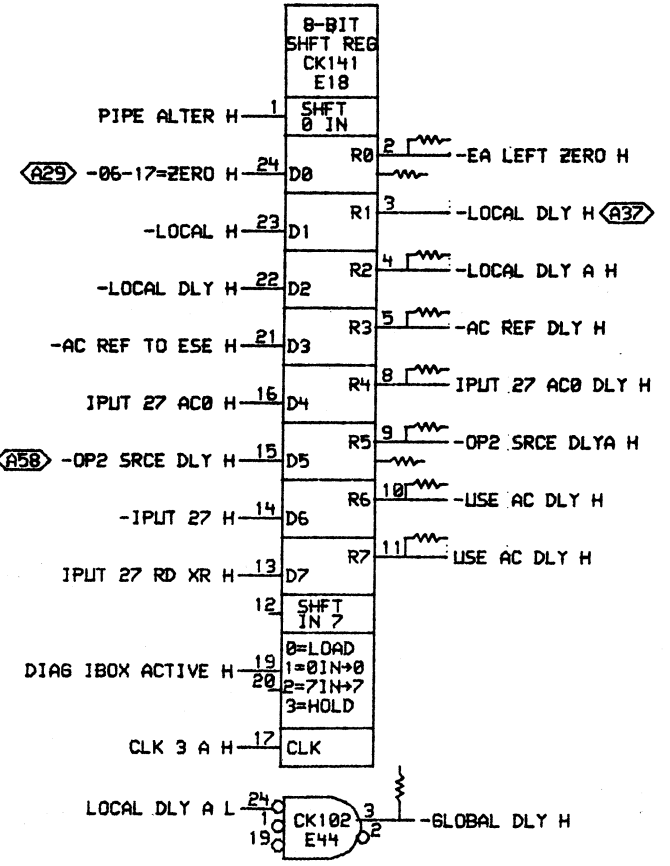
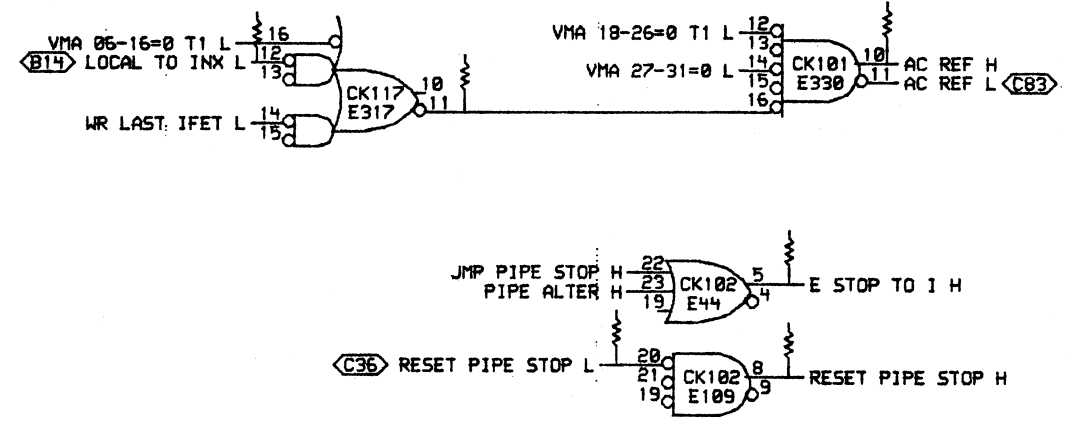
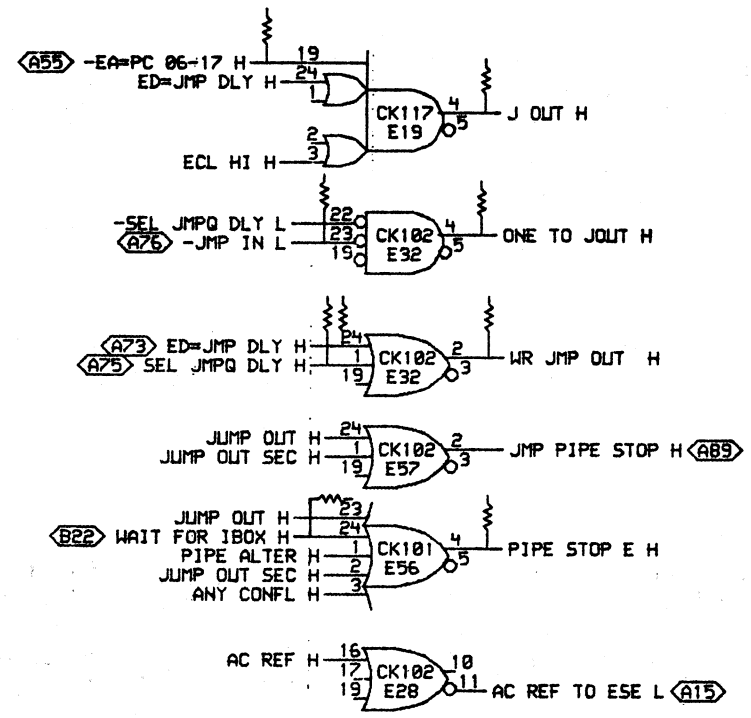
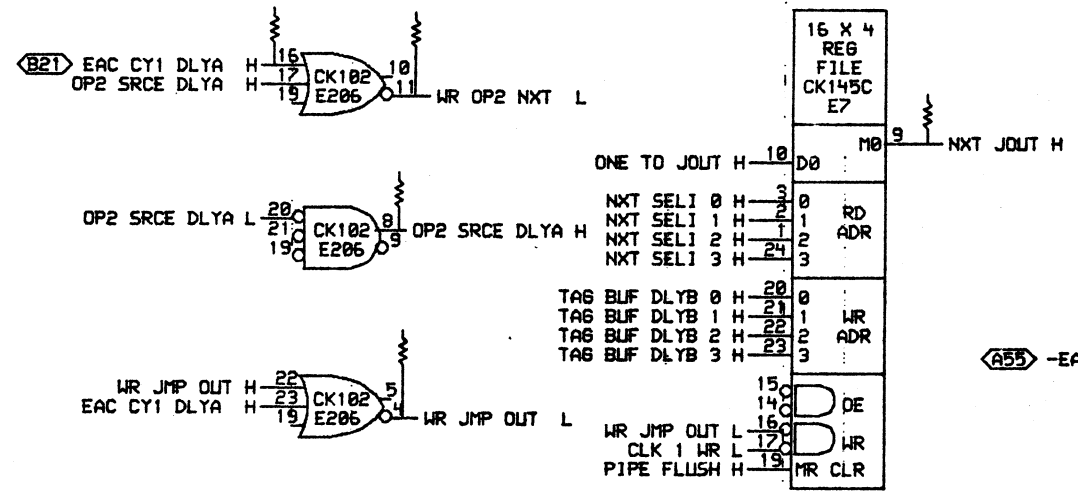
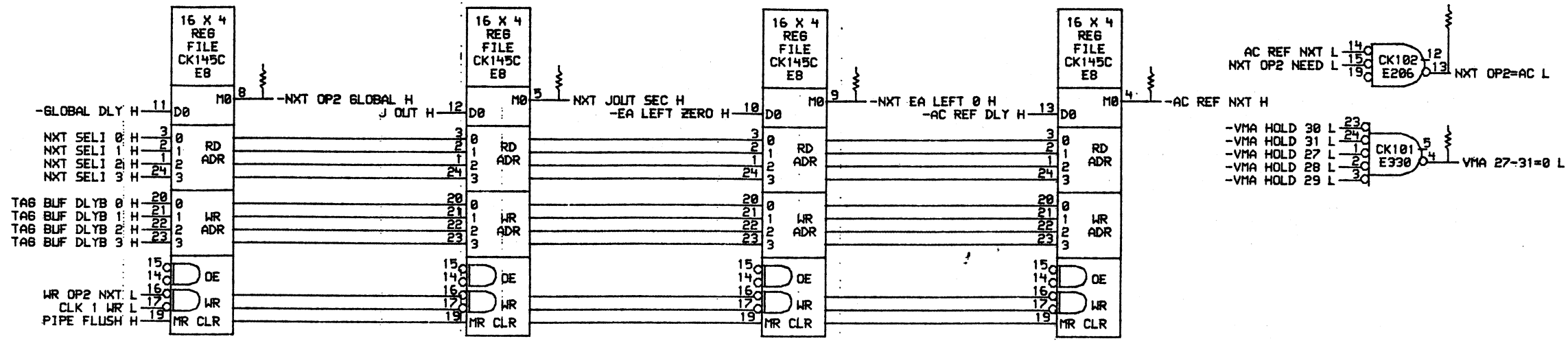


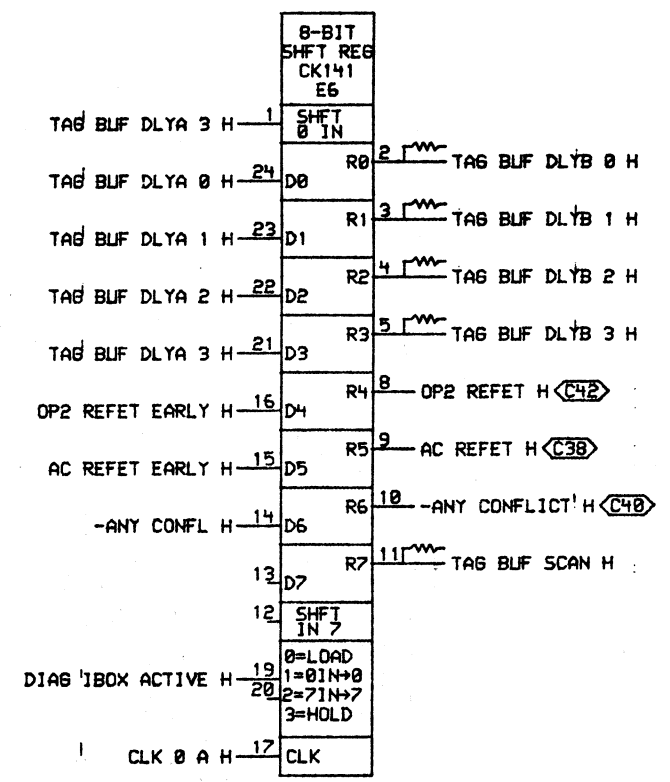
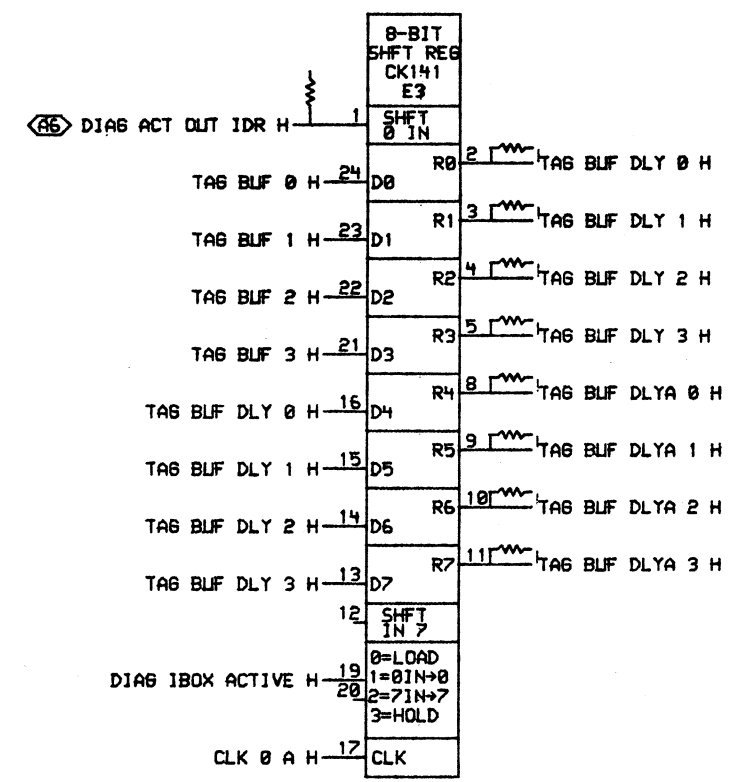
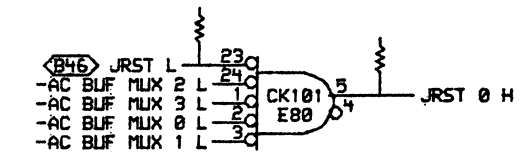
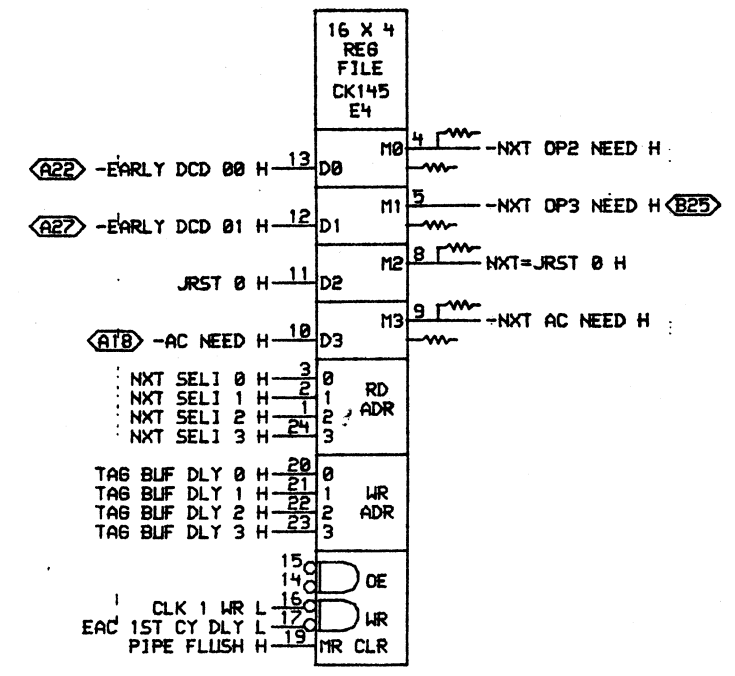
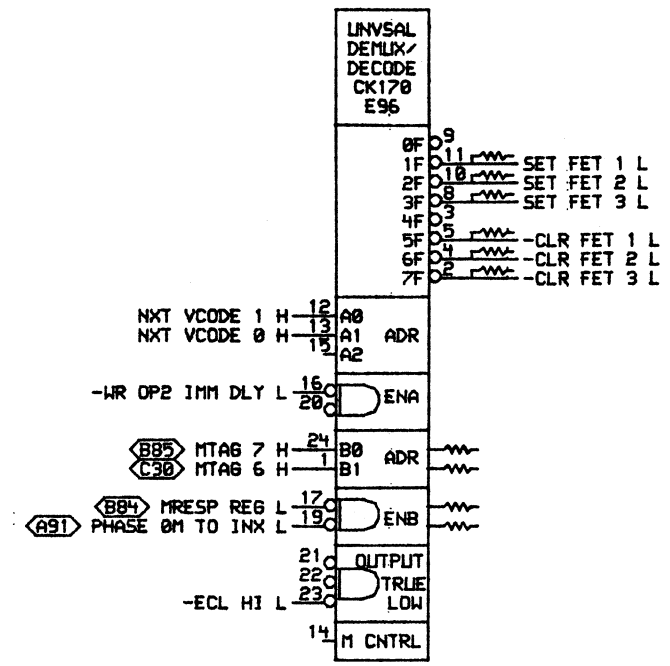
THIS DRAWING AND SPECIFICATIONS, HEREIN, ARE THE PROPERTY OF DIGITAL EQUIPMENT CORPORATION AND SHALL NOT BE REPRODUCED, COPIED, OR USED IN WHOLE OR IN PART AS THE BASIS FOR THE MANUFACTURE OR SALE OF ITEMS WITHOUT WRITTEN PERMISSION. COPYRIGHT © 1982, DIGITAL EQUIPMENT CORPORATION.

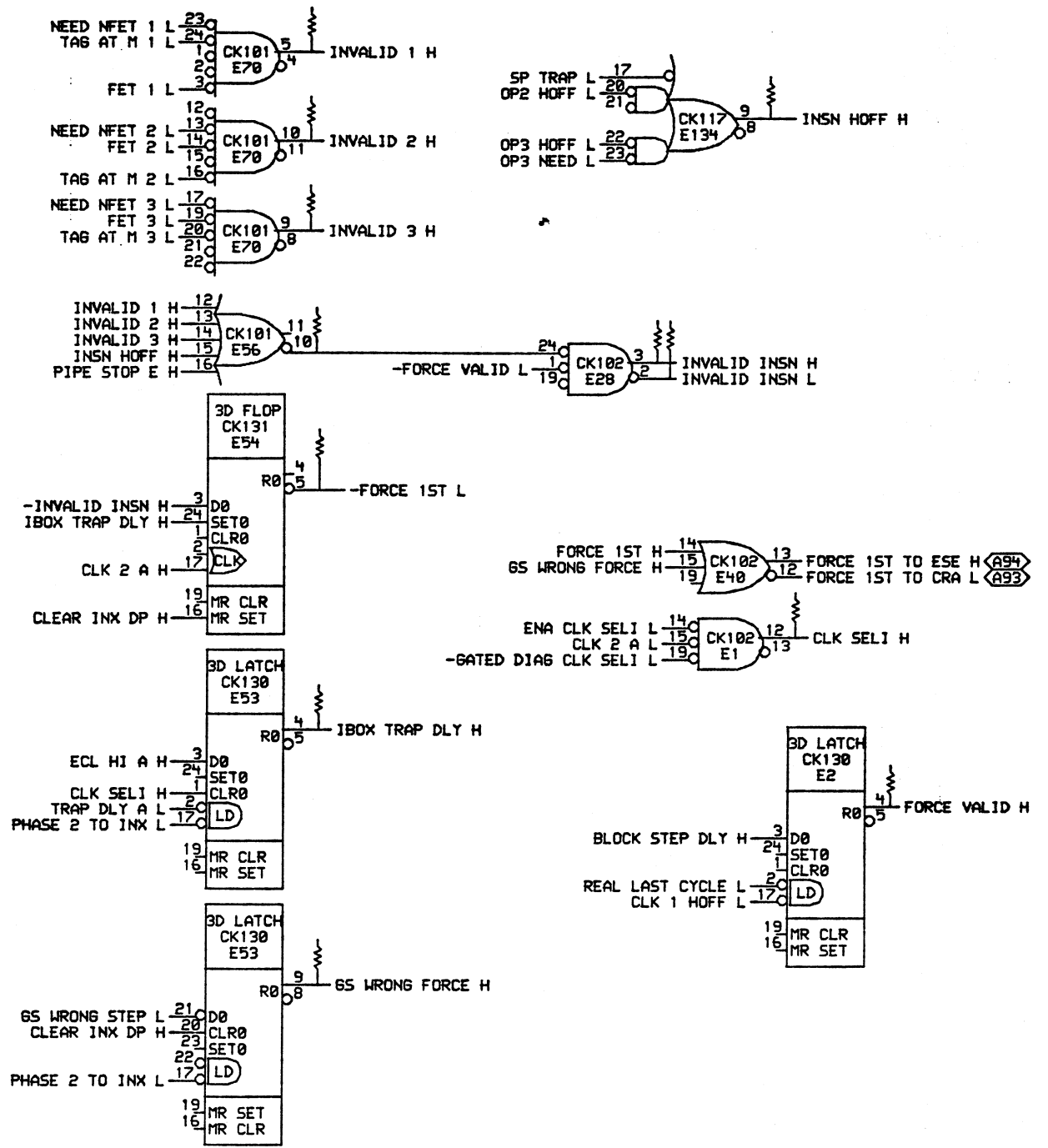
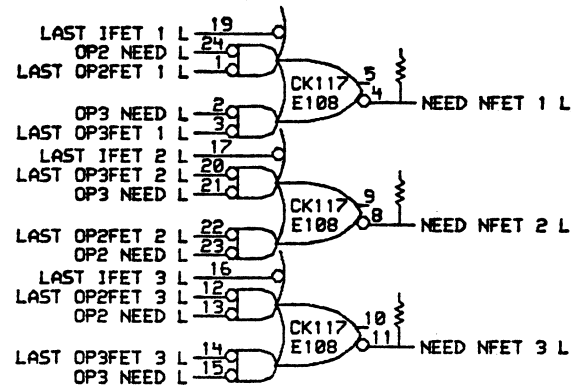
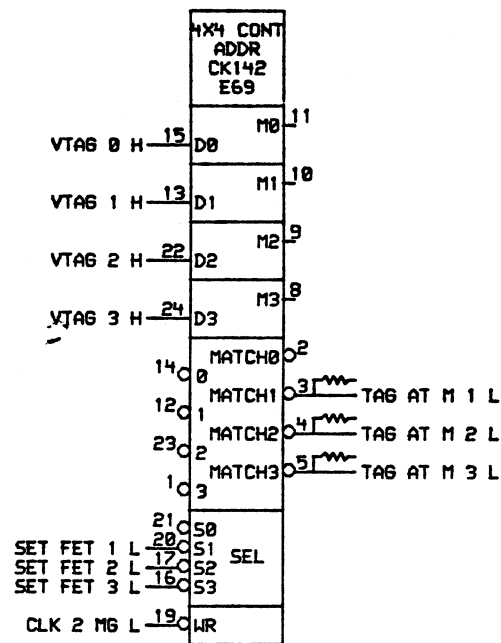
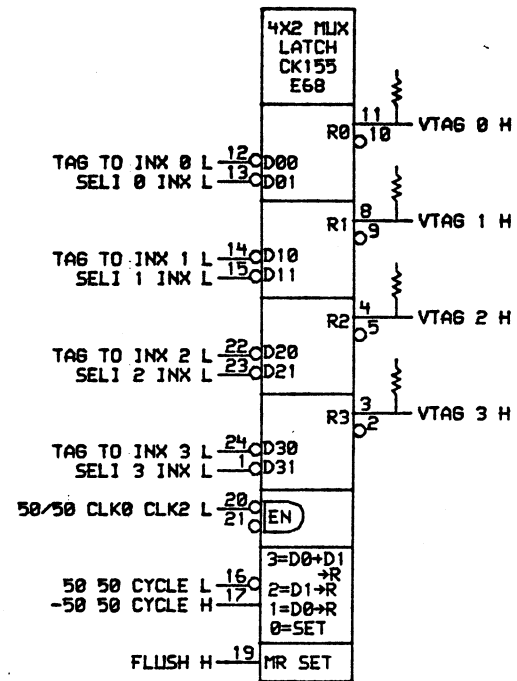
REVISIONS	
CHK	CHANGE NO. REV

digital	DATE 11-DEC-82	ENG. DATE	TITLE: EBOX AC
VULCAN: 2000	110-DEC-82	08:12	NEXT HIGHER ASSEMBLY:
SIZE D	CODE CS	NUMBER L0053-0-1N10	REV.

REV. NUMBER L0053-0-1N10
SIZE D
CODE CS





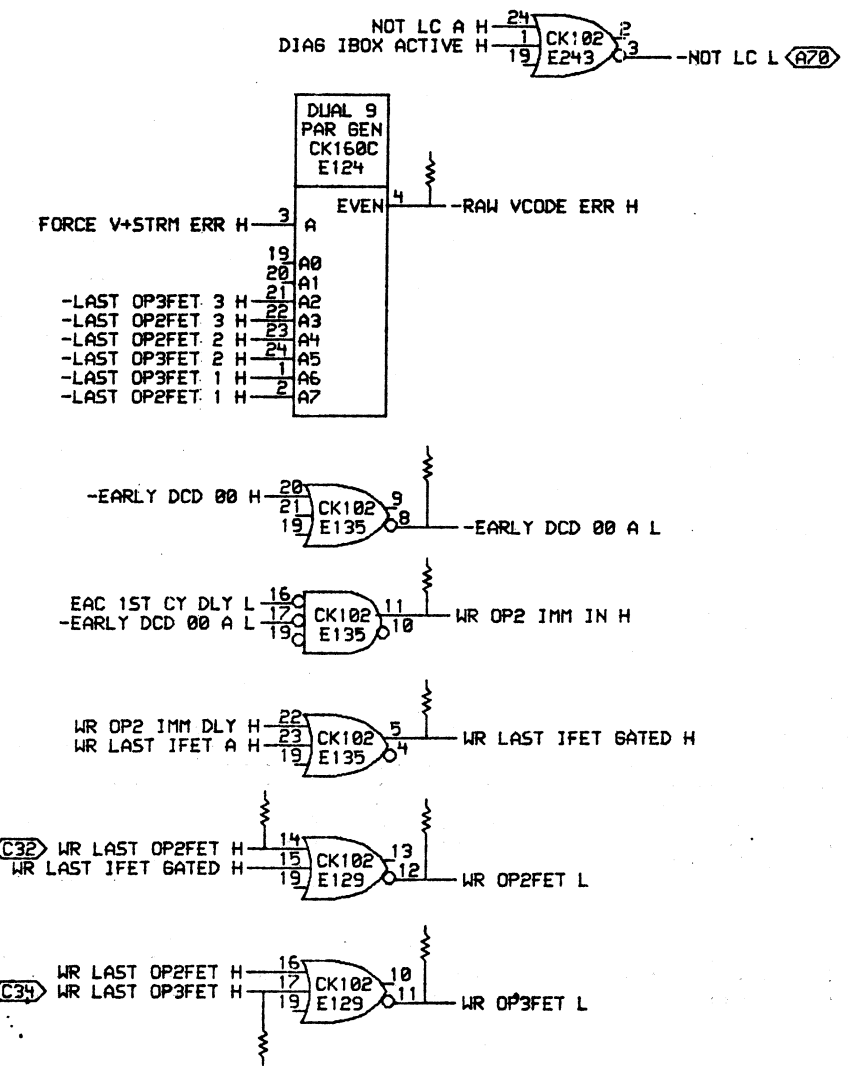
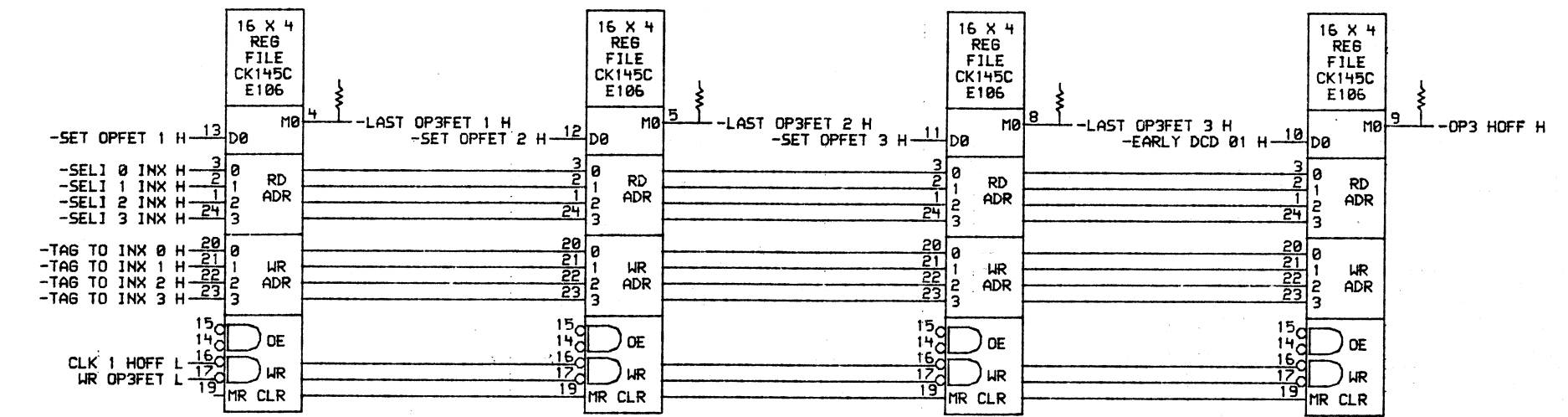
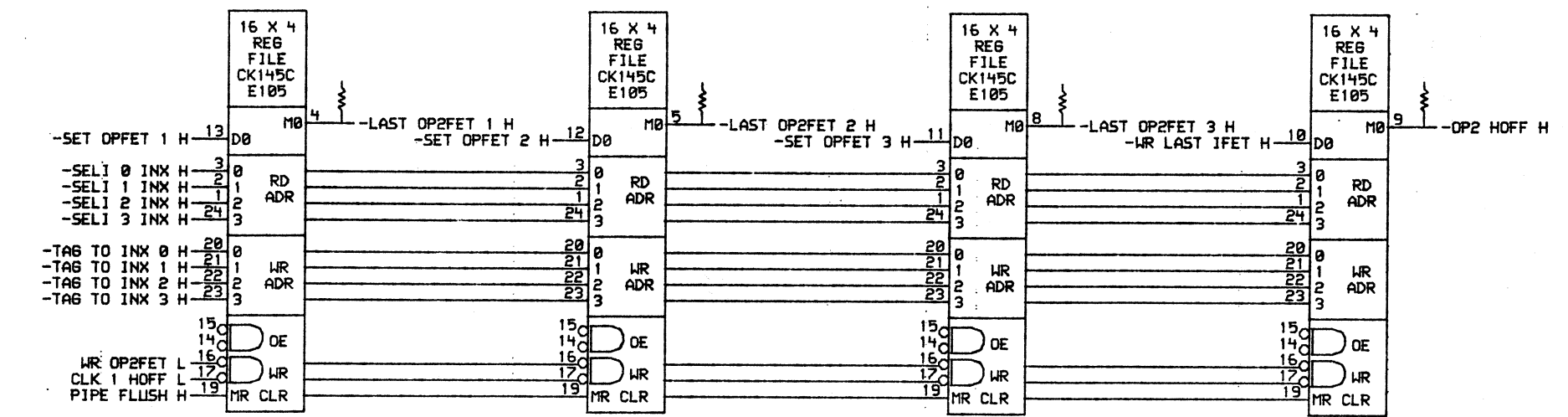
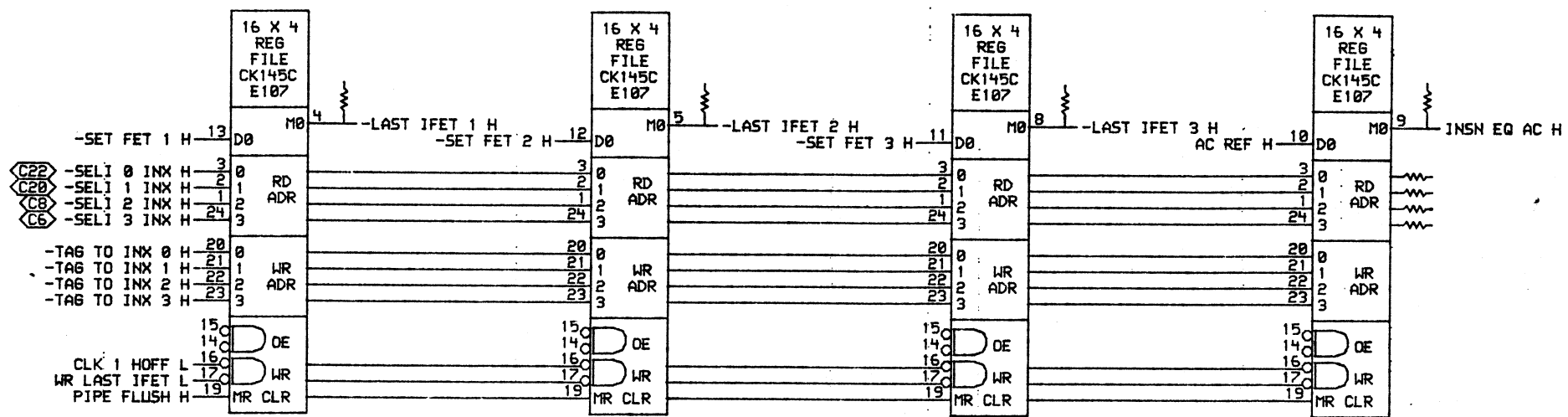
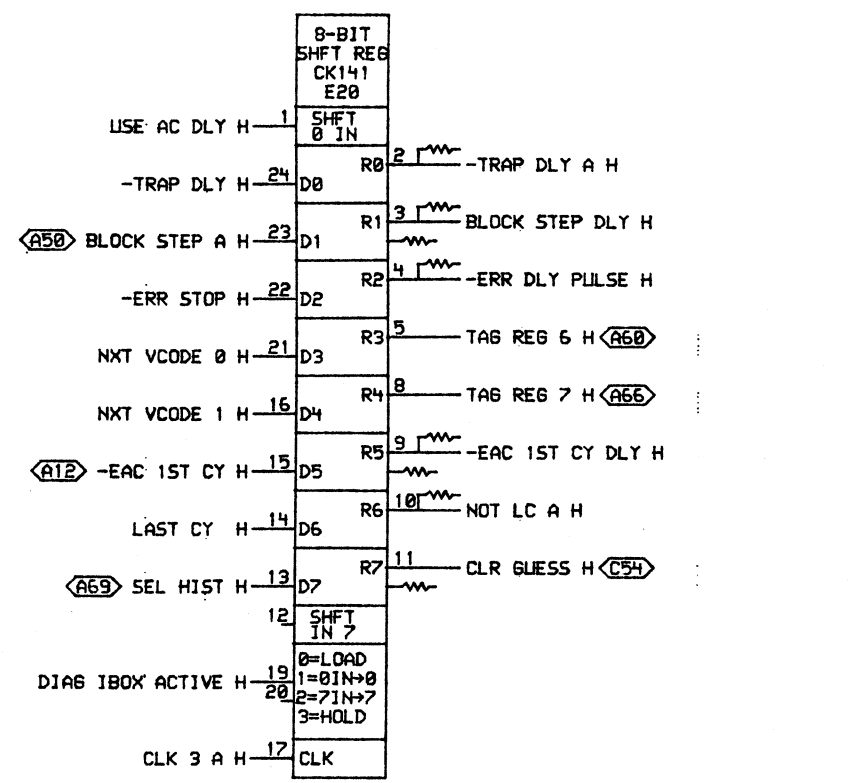
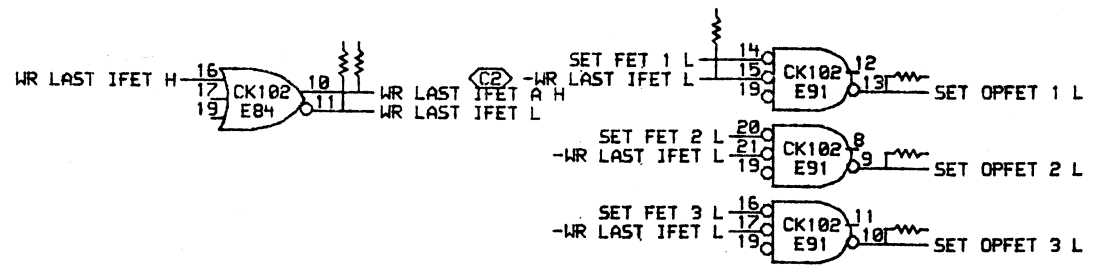


REV. NUMBER L0053-0-INXG

THIS DRAWING AND SPECIFICATIONS ARE THE PROPERTY OF DIGITAL EQUIPMENT CORPORATION AND SHALL NOT BE REPRODUCED OR COPIED OR USED IN WHOLE OR IN PART AS THE BASIS FOR THE MANUFACTURE OR SALE OF ITEMS WITHOUT WRITTEN PERMISSION. COPYRIGHT © 1982 DIGITAL EQUIPMENT CORPORATION

REVISIONS
CHK CHANGE NO. REV

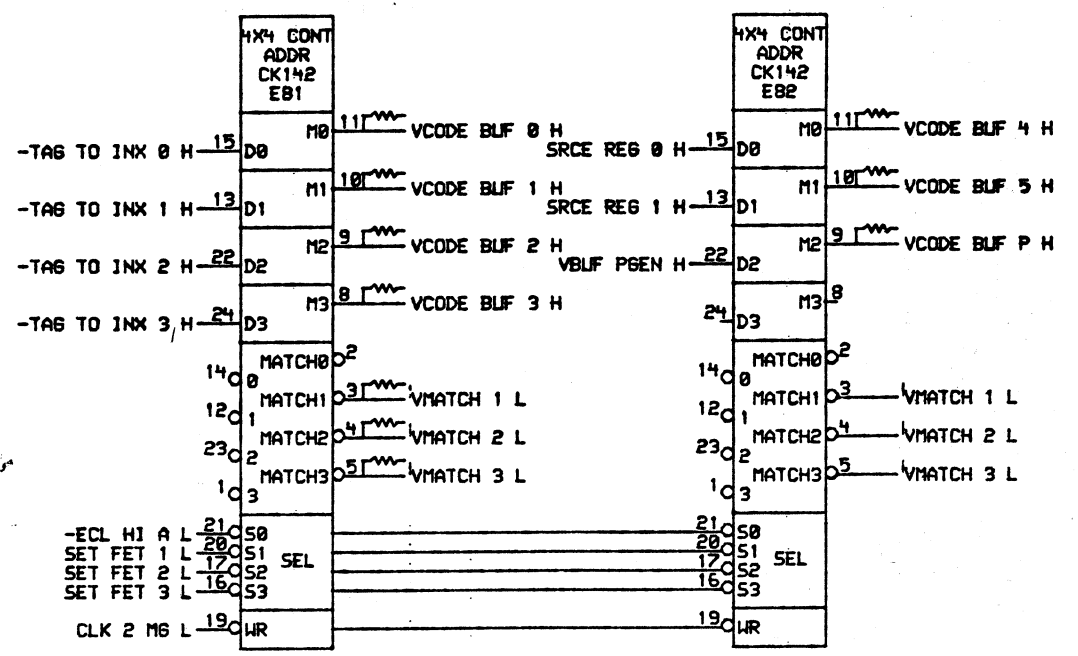
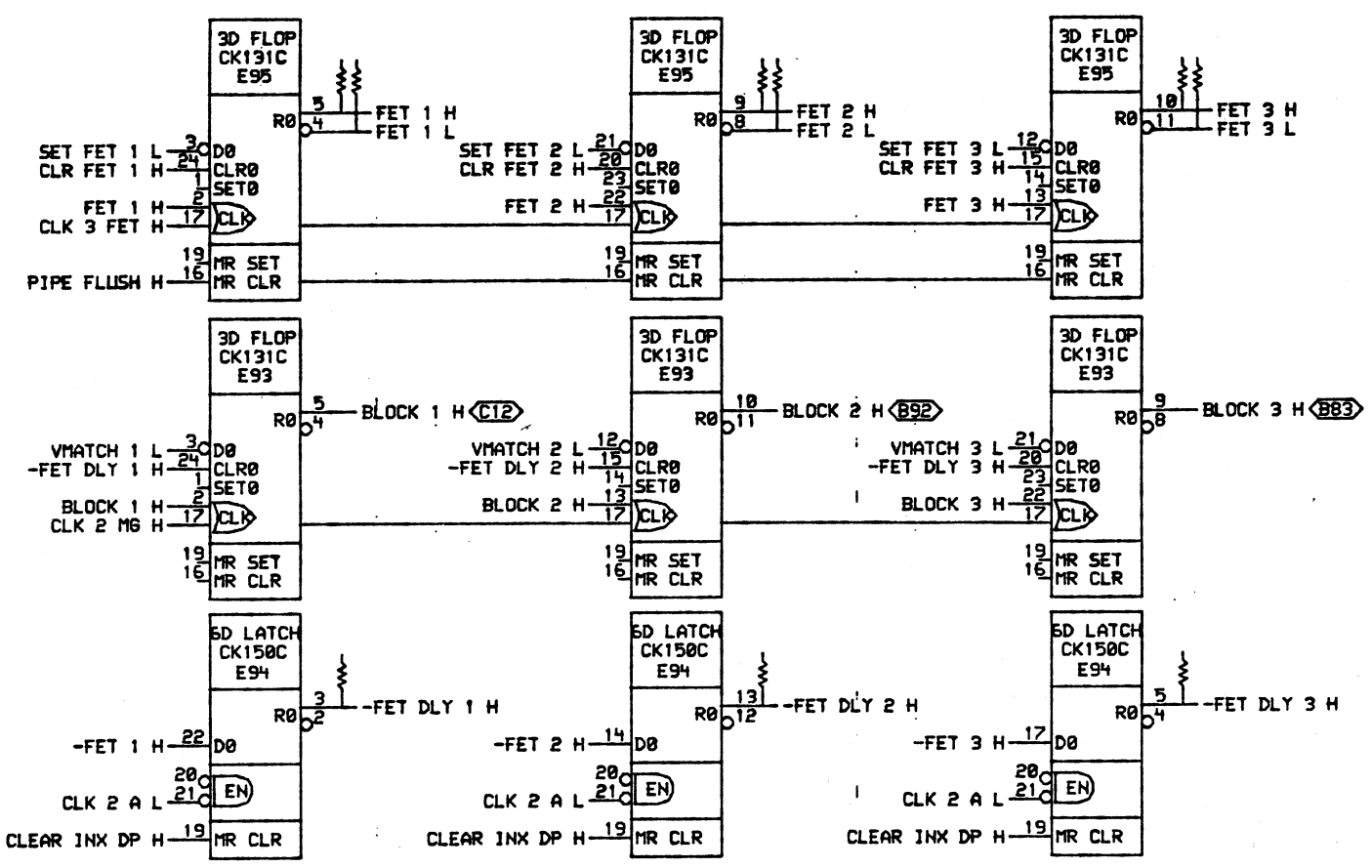
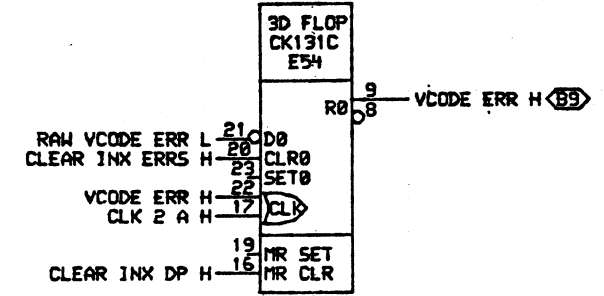
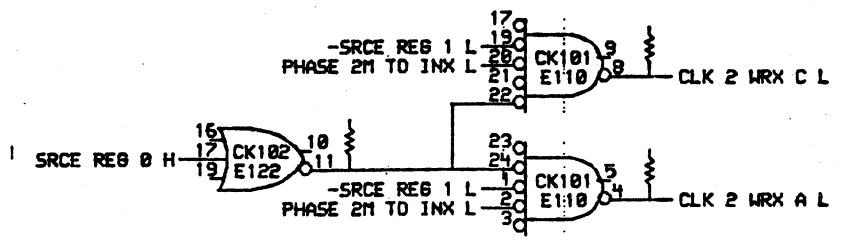
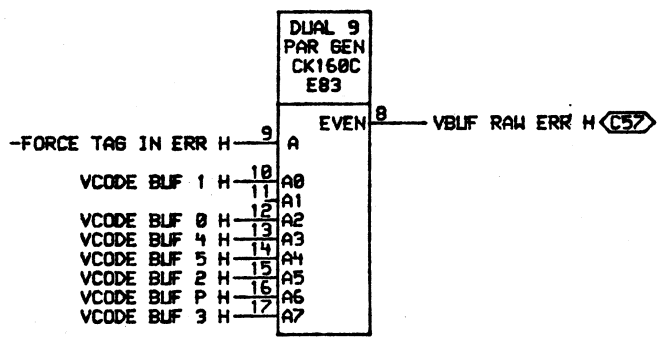
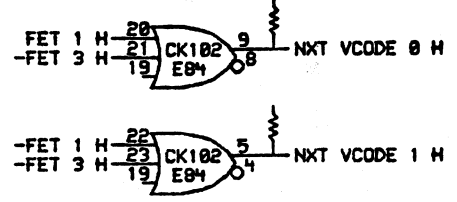
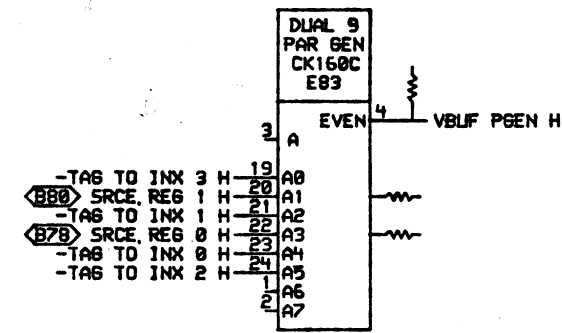
digital	DATE	ENG.	DATE	TITLE: VTAG
	30 JUL 82			
	DATE	BOARD LOCATION:		
		SHEET		
VULCAN: (2880.L0053)551NMG.DRW 129-JUL-82 22:25 NEXT HIGHER ASSEMBLY:			SIZE	CODE
FIRST USED ON OPTION/MODEL:			D	CS
			NUMBER	REV.
			L0053-0-INXG	



THIS DRAWING AND SPECIFICATIONS HEREIN ARE THE PROPERTY OF DIGITAL EQUIPMENT CORPORATION AND SHALL NOT BE REPRODUCED OR COPIED OR USED IN WHOLE OR IN PART AS THE BASIS FOR THE MANUFACTURE OR SALE OF ITEMS WITHOUT WRITTEN PERMISSION. COPYRIGHT © 1982, DIGITAL EQUIPMENT CORPORATION.

REVISIONS	
CHK	CHANGE NO. REV

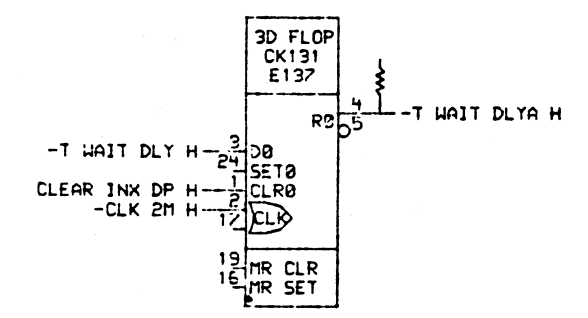
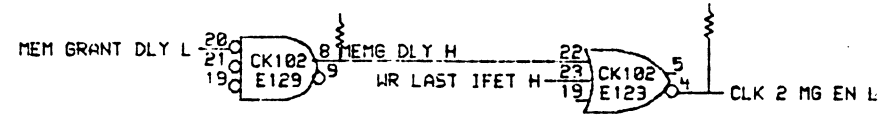
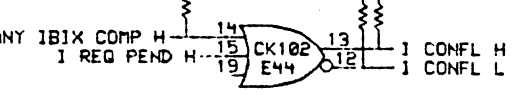
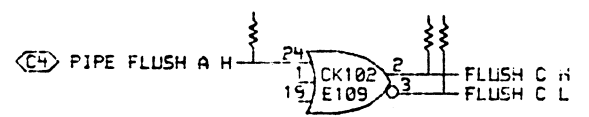
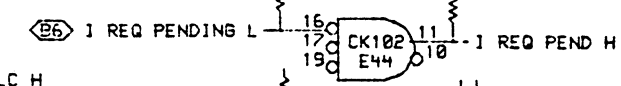
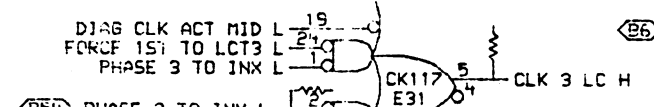
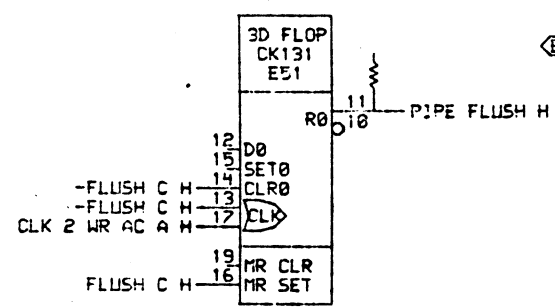
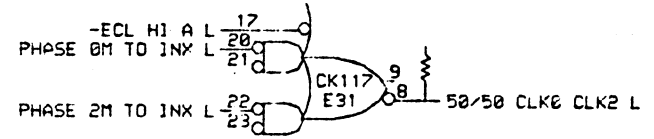
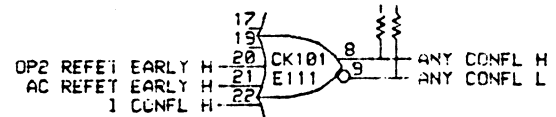
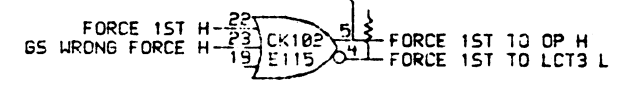
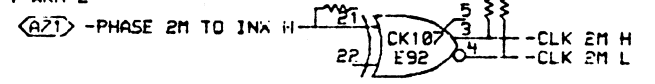
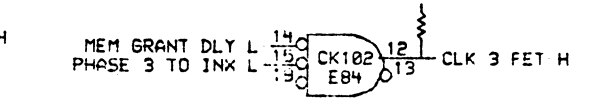
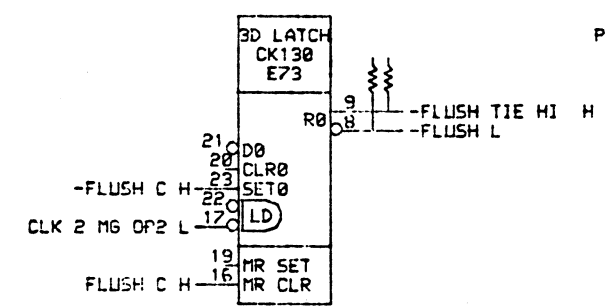
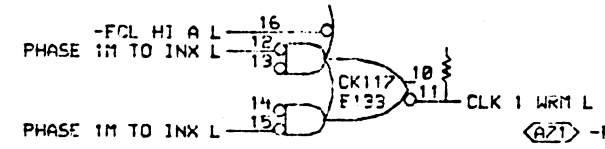
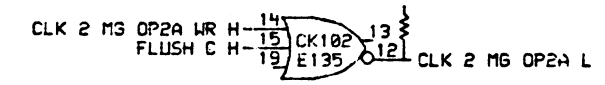
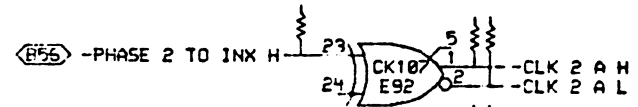
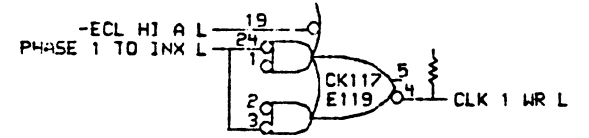
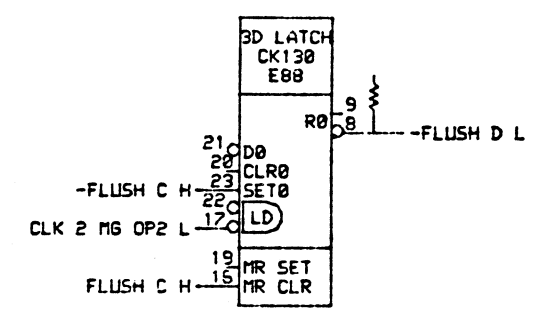
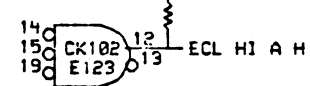
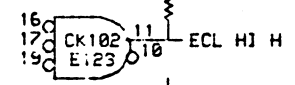
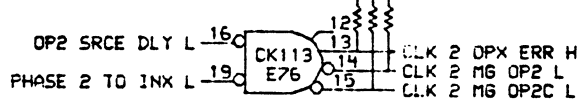
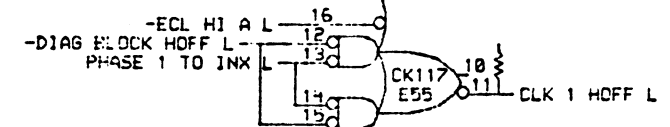
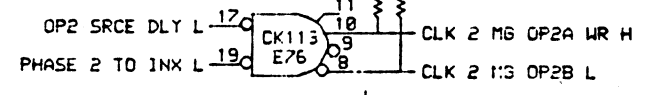
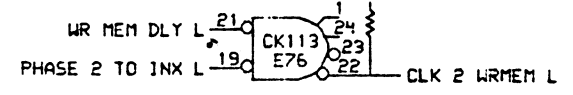
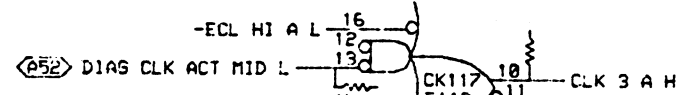
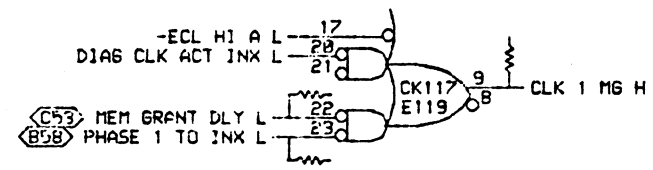
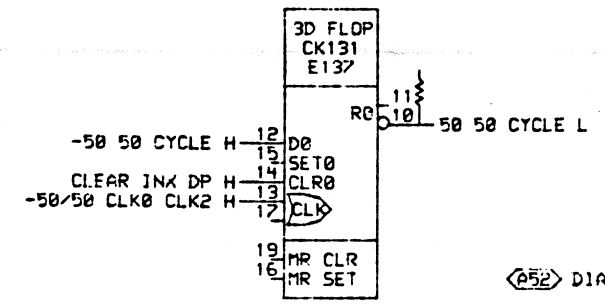
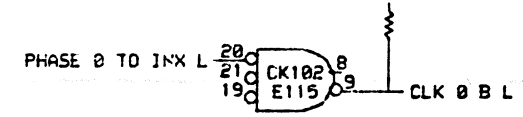
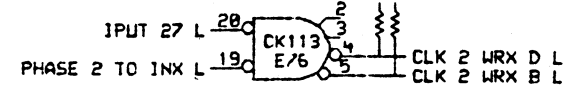
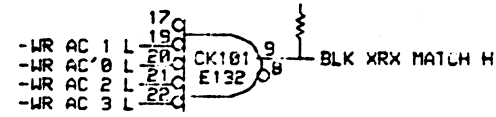
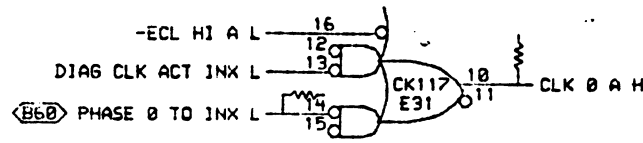
digital	DATE	ENG.	DATE	TITLE:
	12-OCT-82			VCODE
VULDWH:2888.L0053-031NH.DRW	DATE	BOARD LOCATION:	SIZE CODE NUMBER	
	11-OCT-82 21:21	SHEET	D CS L0053-0-INXH	REV.
FIRST USED ON OPTION/MODEL:		NEXT HIGHER ASSEMBLY:		



THIS DRAWING AND SPECIFICATIONS HEREIN ARE THE PROPERTY OF DIGITAL EQUIPMENT CORPORATION AND SHALL NOT BE REPRODUCED OR COPIED OR USED IN WHOLE OR IN PART AS THE BASIS FOR THE MANUFACTURE OR SALE OF ITEMS WITHOUT WRITTEN PERMISSION. COPYRIGHT © 1982, DIGITAL EQUIPMENT CORPORATION.

REVISIONS	CHK	CHANGE NO.	REV

	DATE: 01-SEP-82	ENG.:	DATE:	TITLE: BLOCK WR
	DATE: 30-AUG-82	BOARD LOCATION:	SHEET OF:	
FIRST USED ON OPTION/MODEL: 30-AUG-82 22:36 NEXT HIGHER ASSEMBLY: ,				SIZE: D
NUMBER: L0053-0-INXI			REV.:	



THIS DRAWING AND SPECIFICATIONS HEREIN ARE THE PROPERTY OF DIGITAL EQUIPMENT CORPORATION AND SHALL NOT BE REPRODUCED OR COPIED OR USED IN WHOLE OR IN PART AS THE BASIS FOR THE MANUFACTURE OR SALE OF ITEMS WITHOUT WRITTEN PERMISSION.

REVISIONS	
CHK	CHANGE NO. REV